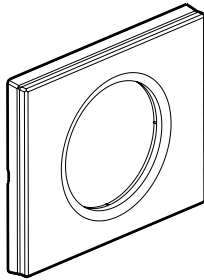
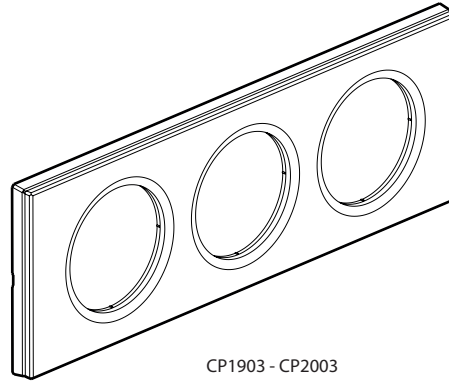


Céliane™
Material plates - glass finish

Cat. No(s): CP1901/02/03/04/08
 CP2001/02/03/04/08



CP1901 - CP2001




CP1903 - CP2003

1. USE

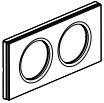
Faceplates for 1-gang to 4-gang wiring accessories.
 Horizontal or vertical mounting.
 Indoor use only.

2. RANGE

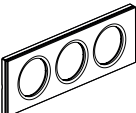
1-gang plates

	Onyx black glass Opal white glass	CP1901 CP2001
---	--------------------------------------	------------------

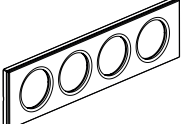
2-gang plates - Center distance 71 mm

	Onyx black glass Opal white glass	CP1902 CP2002
---	--------------------------------------	------------------

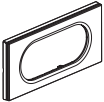
3-gang plates - Center distance 71 mm

	Onyx black glass Opal white glass	CP1903 CP2003
---	--------------------------------------	------------------

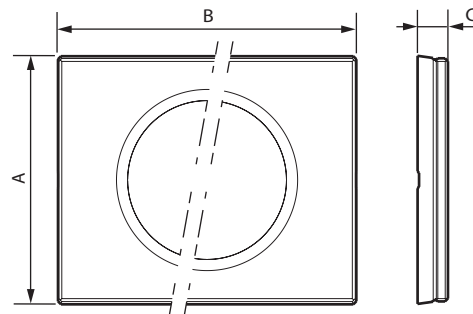
4-gang plates - Center distance 71 mm

	Onyx black glass Opal white glass	CP1904 CP2004
---	--------------------------------------	------------------

Extended 2-station plates (4/5 modules)

	Onyx black glass Opal white glass	CP1908 CP2008
---	--------------------------------------	------------------

3. DIMENSIONS (mm)



References	A	B	C
CP1901 - CP2001	84	101	11
CP1902 - CP2002	84	172	11
CP1903 - CP2003	84	243	11
CP1904 - CP2004	84	314	11
CP1908 - CP2008	84	172	11

4. TECHNICAL CHARACTERISTICS

■ **4.1 Mechanical characteristics**

Protection against impacts: IK 04

■ **4.2 Material characteristics**

Black plate: Black ceramic screen printing + dark glass

White plate: White ceramic screen printing + glass

Sub-plate: black PC

UV-resistant

Halogen-free

Self-extinguishing: 650°C/30 s

■ **4.3 Climate characteristics**

Storage temperature: - 10°C to + 70°C

Usage temperature: - 5°C to +50°C

5. CLEANING

Surface cleaning with a cloth.

Do not use: acetone, tar remover, trichloroethylene.

Resistance to the following products:

Hexane, methylated spirit, soapy water, window-cleaning products.

Caution: Always test before using other special cleaning products

No paint should be applied to the plates.

6. STANDARDS AND APPROVALS

Compliant with installation and manufacturing standards.

See e-catalogue.