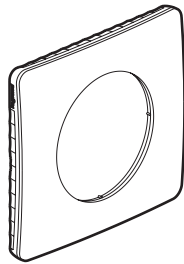
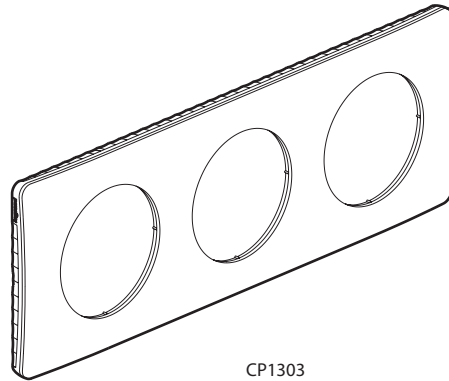


Céliane™
Vintage plates

Cat. No(s): CP1301/02/03/04/08/11/21/22/23/24
CP1401/02/03/04/08/11/21/22/23/24
CP1501/02/03/04/08/11/21/22/23/24



CP1301



CP1303

1. USE

Faceplates for 1-gang to 4-gang wiring accessories.
 Horizontal or vertical mounting.

2. RANGE

1-gang plates

	Cork Beech Felt	CP1301 CP1401 CP1501	CP1321 CP1421 CP1521
--	-----------------------	----------------------------	----------------------------

2-gang plates - Center distance 71 mm

	Cork Beech Felt	CP1302 CP1402 CP1502	CP1322 CP1422 CP1522
--	-----------------------	----------------------------	----------------------------

3-gang plates - Center distance 71 mm

	Cork Beech Felt	CP1303 CP1403 CP1503	CP1323 CP1423 CP1523
--	-----------------------	----------------------------	----------------------------

4-gang plates - Center distance 71 mm

	Cork Beech Felt	CP1304 CP1404 CP1504	CP1324 CP1424 CP1524
--	-----------------------	----------------------------	----------------------------

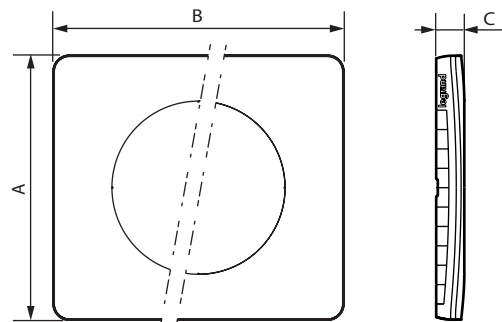
Extended 2-station plates (4/5 modules)

	Cork Beech Felt	CP1308 CP1408 CP1508	
--	-----------------------	----------------------------	--

Extended 3-station plates (6/8 modules)

	Cork Beech Felt	CP1311 CP1411 CP1511	
--	-----------------------	----------------------------	--

3. DIMENSIONS (mm)



References	A	B	C
CP1301/321/401/421/501/521	82	90	9
CP1302/322/402/422/502/522	82	161	9
CP1303/323/403/423/503/523	82	232	9
CP1304/324/404/424/504/524	82	303	9
CP1308/408/508	82	161	9
CP1311/411/511	82	232	9

4. TECHNICAL CHARACTERISTICS

■ **4.1 Mechanical characteristics**

Protection against impacts: IK 04

■ **4.2 Material characteristics**

Plates: PEFC cork

PEFC laminated wood: white beech + varnished

Textile: sheep wool felt

Sub-plate: black PC

Résistant aux UV

Sans halogène

Autoextinguibilité : 650° C/30 s

■ **4.3 Climate characteristics**

Storage temperature: - 10°C to + 70°C

Usage temperature: - 5°C to +50°C

5. CLEANING

Surface cleaning with a cloth.

Felt plates: wash with carpet cleaner, rub lightly with a dry cloth (cotton or microfiber) in circles and vacuum gently.

Caution: Always test before using other special cleaning products

No paint should be applied to the plates.

6. STANDARDS AND APPROVALS

Compliant with installation and manufacturing standards.
See e-catalogue.