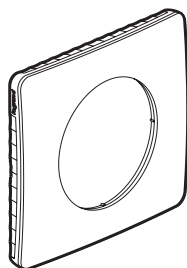
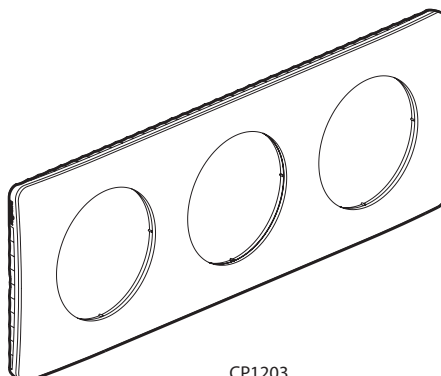


Céliane™
Metal plates

Cat. No(s): CP1201/02/03/04/06/07/08/11/21/22/23/24
CP1601/02/03/04/06/07/08/11/21/22/23/24
CP1701/02/03/04/06/07/08/11/21/22/23/24
CP1801/02/03/04/06/07/08/09/10/11/21/22/23/24



CP1201



CP1203

1. USE

Faceplates for 1-gang to 6-gang wiring accessories.
 Horizontal or vertical mounting.
 Indoor use only.

2. RANGE

1-gang plates

	Satin brass Satin bronze Satin aluminium Satin steel	CP1201 CP1601 CP1701 CP1801	CP1221 CP1621 CP1721 CP1821
--	---	--------------------------------------	--------------------------------------

2-gang plates - Center distance 71 mm

	Satin brass Satin bronze Satin aluminium Satin steel	CP1202 CP1602 CP1702 CP1802	CP1222 CP1622 CP1722 CP1822
--	---	--------------------------------------	--------------------------------------

3-gang plates - Center distance 71 mm

	Satin brass Satin bronze Satin aluminium Satin steel	CP1203 CP1603 CP1703 CP1803	CP1223 CP1623 CP1723 CP1823
--	---	--------------------------------------	--------------------------------------

4-gang plates - Center distance 71 mm

	Satin brass Satin bronze Satin aluminium Satin steel	CP1204 CP1604 CP1704 CP1804	CP1224 CP1624 CP1724 CP1824
--	---	--------------------------------------	--------------------------------------

2-gang plates - Center distance 57 mm

	Satin brass Satin bronze Satin aluminium Satin steel	CP1206 CP1606 CP1706 CP1806	
--	---	--------------------------------------	--

3-gang plates - Center distance 57 mm

	Satin brass Satin bronze Satin aluminium Satin steel	CP1207 CP1607 CP1707 CP1807	
--	---	--------------------------------------	--

2. RANGE (continued)

Extended 2-station plates (4/5 modules)

	Satin brass Satin bronze Satin aluminium Satin steel	CP1208 CP1608 CP1708 CP1808
--	---	--------------------------------------

Extended 3-station plates (6/8 modules)

	Satin brass Satin bronze Satin aluminium Satin steel	CP1211 CP1611 CP1711 CP1811
--	---	--------------------------------------

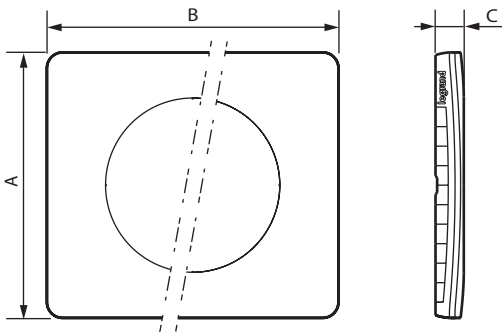
2 x 2-gang plate

	Satin steel effect Titanium paint finish	CP1809
--	---	--------

2 x 3-gang plate

	Satin steel effect Titanium paint finish	CP1810
--	---	--------

3. DIMENSIONS (mm)



References	A	B	C
CP1201/221/601/621/701/721/801/821	82	90	9
CP1202/222/602/622/702/722/802/822	82	161	9
CP1203/223/603/623/703/723/803/823	82	232	9
CP1204/224/604/624/704/724/804/824	82	303	9
CP1206/606/706/806	82	147	9
CP1207/607/707/807	82	204	9
CP1208/608/708/808	82	161	9
CP1211/611/711/811	82	232	9
CP1809	159	175	9
CP1810	159	246	9

4. TECHNICAL CHARACTERISTICS

■ 4.1 Mechanical characteristics

Protection against impacts: IK 04

■ 4.2 Material characteristics

Plate: Anodized metal satin appearance
 (brass, bronze, aluminium, steel)

Sub-plate: PC

Monoblock Plate, cat.n° CP1809 and cat.n° CP1810

Halogen-free

UV-resistant

Self-extinguishing: 650°C/30 s

■ 4.3 Climate characteristics

Storage temperature: - 10°C to + 70°C

Usage temperature: - 5°C to +50°C

5. CLEANING

Surface cleaning with a cloth.

Do not use: acetone, tar remover, trichloroethylene.

Caution: Always test before using other special cleaning products

Resistance to the following products:

Hexane, methylated spirit, soapy water, window-cleaning products

No paint should be applied to the plates.

6. STANDARDS AND APPROVALS

Compliant with installation and manufacturing standards.

See e-catalogue.