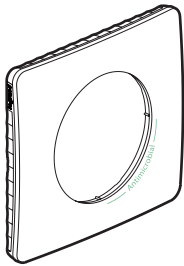
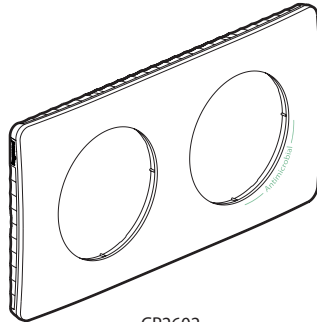


Céliane™ Antimicrobial* plates

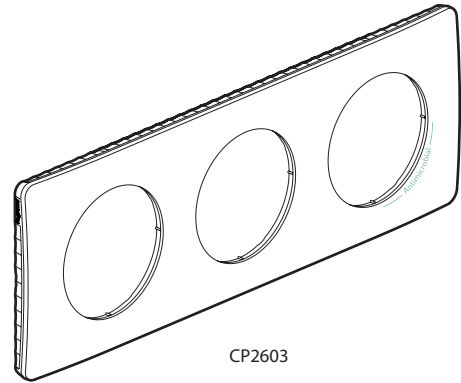
Cat. No(s): CP2601 - CP2602 - CP2603



CP2601



CP2602



CP2603

1. USAGE

Faceplates for 1-gang to 3-gang wiring accessories.
 The mechanisms can be flush-mounted or surface-mounted.
 Horizontal or vertical mounting.

Antimicrobial* products:

These products are made of silver-ion based antimicrobial* material.
 This technology eliminates bacteria, fungi and viruses without creating any immunisation or resistance effects (physical, rather than chemical, destruction).

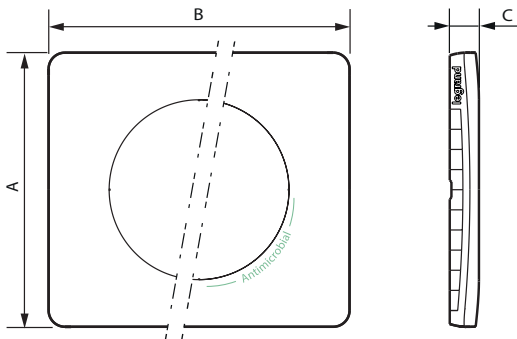
Particularly suitable for healthcare establishments (hospitals, clinics, nursing homes, laboratories, waiting rooms, etc.) and more generally for areas subject to hygiene restrictions (industrial, shared and restaurant kitchens, waste, etc.).

These products offer an additional way of ensuring the non-proliferation of bacteria, fungi and viruses without interfering with cleaning protocols.

2. RANGE

Designation	White antimicrobial*
1-gang plate	CP2601
2-gang plate	CP2602
3-gang plate	CP2603

3. DIMENSIONS (mm)



References	A	B	C
CP2601	82	90	9
CP2602	82	161	9
CP2603	82	232	9

4. TECHNICAL CHARACTERISTICS

4.1 Mechanical characteristics

Protection against impacts: IK 04

4.2 Material characteristics

White ABS + PC RAL 9003 with antimicrobial* treatment

Halogen-free

UV-resistant

Self-extinguishing: 650°C/30 s

4.3 Climate characteristics

Storage temperature: - 10°C to + 70°C

Usage temperature: - 5°C to + 35°C

5. CLEANING

Surface cleaning with a cloth.

Do not use: acetone, tar remover, trichloroethylene.

Resistance to the cleaning products:

Hexane (EN 60669-1, methylated spirit, soapy water, diluted ammonia, pure bleach diluted to 10%, window-cleaning products, pre-impregnated wipes.

Resistance to type cleaning hospital: Anios, Surfanios, Bactylisine, Diluted hydrogen peroxide (35 %)..

Caution: Always test before using other special cleaning products

No paint should be applied to the plates.

6. STANDARDS AND APPROVALS

Compliant with installation and manufacturing standards.

See e-catalogue.

*Contains silver ions that limit the development of bacteria on the surface.