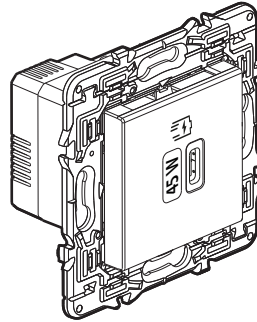


Valena™ Next 45W USB charger - Type-C

Cat. No(s): 7 412 39 - 7 413 39 - 7 414 39



1. USAGE

Allows you to power and charge multimedia terminals: PC, tablets, smartphones.

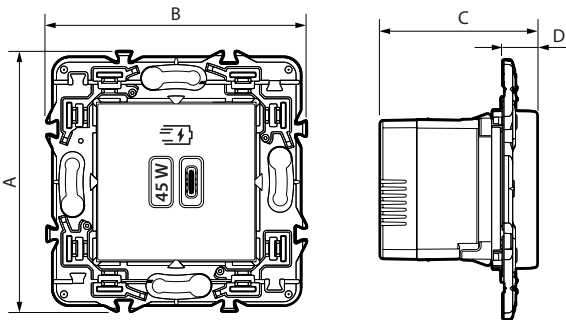
USB Power Delivery and Quick charge are new fast charging technologies built into iOS/Apple and Android/Google devices.

Technologies enabling a faster charging level than conventional technologies, operating via an exchange between the terminal and the charger.

2. RANGE

45W USB charger	White	Alu	Dark
1 USB Type-C (1 Type-C output) 2 modules To be equipped with finishing plate	7 412 39	7 413 39	7 414 39

3. DIMENSIONS (mm)



A	B	C	D
74	74	45	10

4. CONNECTION

Type of terminals: with screws

Terminal capacity: 2 x 2.5 mm²

Stripping length: 6 mm

Screwdriver: flat 3.5 mm

Circuit breaker: 16 A MAX.

Necessary safety precautions:



Switch OFF the power at the main circuit breaker. Make sure that the power is OFF before continuing with the installation.

5. TECHNICAL CHARACTERISTICS

■ 5.1 Mechanical characteristics

Impact tests: IK 04

Penetration by solid bodies and liquids: IP 40

■ 5.2 Material characteristics

Colors: White RAL 9003

Painted Alu

Painted Black

Material: Mechanism casing: PA 6.6 V-0 UL

Support frame: Galfan steel + Polyamide 6.6 RAL 7016

Cover: ABS

Halogen-free

UV-resistant

Self-extinguishing:

PA 6.6 V-0 UL

650°C/30 s for other insulating components.

■ 5.3 Climate characteristics

Storage temperature: -20°C to +70°C

Usage temperature: +5°C to +40°C

5. TECHNICAL CHARACTERISTICS *(continued)*

■ 5.4 Electrical characteristics

All values listed below are measured at an ambient temperature of + 20° and after 30 minutes of operation.

Nominal input voltage	220-240V~
Nominal input frequency	50/60Hz
Max. output power	45,0W
Nominal input current	0.8A
Max. nominal output current	3.0A
Average efficiency in active mode	88%
Nominal output voltage	5.0V~* *
Stand-by power consumption	0.08W
Consumption class without load and average level of efficiency: Level VI	
Protection class	II - Low voltage

*Optimise/voltage:

5.0V~	3.0A
9.0V~	3.0A
12.0V~	3.0A
15.0V~	3.0A
20.0V~	2.2A

Note : To optimize the charging time of your device, ensure turn it off during the charging phase.

6. CLEANING

Surface cleaning with a cloth.

Do not use: acetone, tar remover, trichloroethylene..

Resistance to the following agents:

Hexane (EN 60669-1), methylated spirits, soapy water, diluted ammonia, pure bleach diluted to 10%, window-cleaning products, pre-impregnated wipes.

Caution: Always test before using other special cleaning products

7. STANDARDS AND APPROVALS

Compliant with installation and manufacturing standards.

Refer to e-catalogue.