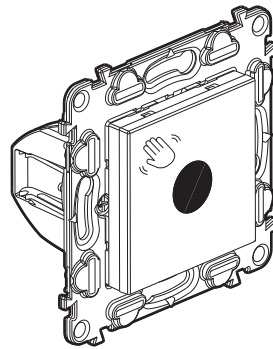


Valena™ Life Contactless switch for light

Cat. No(s): 7 521 92 - 7 522 92 - 7 523 92 - 7 563 92



1. USE

Switches the light on or off by simply passing a hand in front of the switch.
 Detection distance: approximately 6 cm.

Can be used as:

- Simple switch: wired without neutral
- 2-way switch: must be wired with neutral
- Master/slave: must be wired with neutral, 3 slaves max.
- NO pushbutton: must be wired with neutral, for controlling a relay, latching relay or "with Netatmo" micromodule.

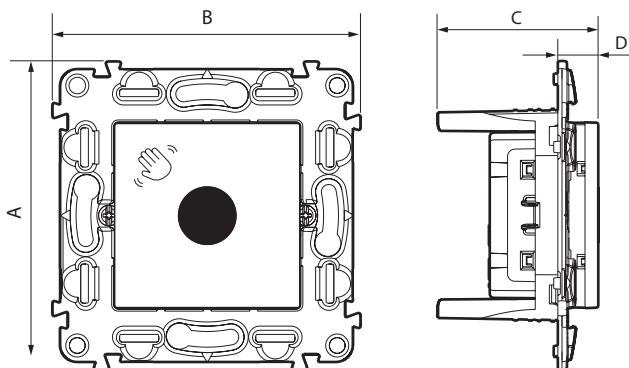
For installation in any type of box.

2. RANGE

Contactless switch for light.
 With illuminated indicator, active by default (can be deactivated).
 Supplied with support frame and cover plate.
 To be equipped with finishing plate.

White	Ivory	Aluminium	Black
7 521 92	7 522 92	7 523 92	7 563 92

3. DIMENSIONS (mm)



A	B	C	D
75	75	39	10

4. CONNECTION

Terminal type: with screws
 Terminal capacity: 2 x 2.5 mm²
 Stripping length: 8 mm

5. TECHNICAL CHARACTERISTICS

■ 5.1 Mechanical characteristics

Impact tests: IK 04
 Protection against solid bodies and liquids: IP 41

■ 5.2 Material characteristics

Mechanism casing: PC
 Support frame: Grey RAL 7016 PC + metal
 Cover plate: White RAL 9003 ABS
 Ivory RAL 1013 ABS
 ABS painted Aluminium or Black

Halogen-free
 UV-resistant

Self-extinguishing:
 850°C/30 s for insulating components holding live parts in place.
 650°C/30 s for other insulating components.

■ 5.3 Electrical characteristics

Voltage: 110-240 V~
 Power: 200 W
 Frequency: 50/60 Hz

■ 5.4 Climate characteristics

Storage temperature: -10°C to +70°C
 Usage temperature: -5°C to +35°C

6. CARE

Surface cleaning with a cloth.
 Do not use: acetone, tar remover, trichloroethylene.
 Resistance to the following cleaning products:
 Hexane, methylated spirit, soapy water, diluted ammonia, pure bleach diluted to 10%, window-cleaning products, pre-impregnated wipes.

Caution: Always test before using other special cleaning products.

7. STANDARDS AND APPROVALS

Compliant with installation and manufacturing standards.
 See e.catalogue.