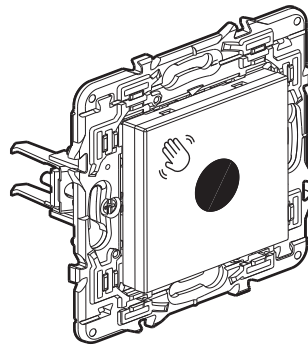


## Valena™ Next Contactless switch for light

Cat. No(s): 7 412 66 - 7 413 66 - 7 414 66



### 1. USE

Switches the light on or off by simply passing a hand in front of the switch.  
 Detection distance: approximately 6 cm.

Can be used as:

- Simple switch: wired without neutral
- 2-way switch: must be wired with neutral
- Master/slave: must be wired with neutral, 3 slaves max.
- NO pushbutton: must be wired with neutral, for controlling a relay, latching relay or "with Netatmo" micromodule.

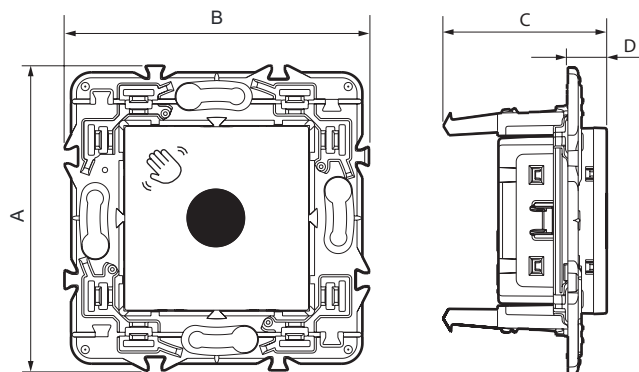
For installation in any type of box.

### 2. RANGE

Contactless switch for light.  
 With illuminated indicator, active by default (can be deactivated).  
 Supplied with support frame and cover plate.  
 To be equipped with finishing plate.

Blanc	Aluminium	Noir
7 412 66	7 413 66	7 414 66

### 3. DIMENSIONS (mm)



A	B	C	D
74	74	38.5	8.5

### 4. CONNECTION

Terminal type: with screws  
 Terminal capacity: 2 x 2.5 mm<sup>2</sup>  
 Stripping length: 8 mm

### 5. TECHNICAL CHARACTERISTICS

#### ■ 5.1 Mechanical characteristics

Impact tests: IK 04  
 Protection against solid bodies and liquids: IP 41

#### ■ 5.2 Material characteristics

Claws: Steel  
 Mechanism casing: PC  
 Cover plate: White RAL 9003 ABS  
 ABS painted satin finish for Alu and Black

Halogen-free  
 UV-resistant

Self-extinguishing:  
 850°C/30 s for insulating components holding live parts in place.  
 650°C/30 s for other insulating components.

#### ■ 5.3 Electrical characteristics

Voltage: 110-240 V~  
 Power: 200 W  
 Frequency: 50/60 Hz

#### ■ 5.4 Climate characteristics

Storage temperature: -10°C to +70°C  
 Usage temperature: -5°C to +35°C

### 6. CARE

Surface cleaning with a cloth.  
 Do not use: acetone, tar remover, trichloroethylene.  
 Resistance to the following cleaning products:  
 Hexane, methylated spirit, soapy water, diluted ammonia, pure bleach diluted to 10%, window-cleaning products, pre-impregnated wipes.

**Caution:** Always test before using other special cleaning products.

### 7. STANDARDS AND APPROVALS

Compliant with installation and manufacturing standards.  
 See e.catalogue.