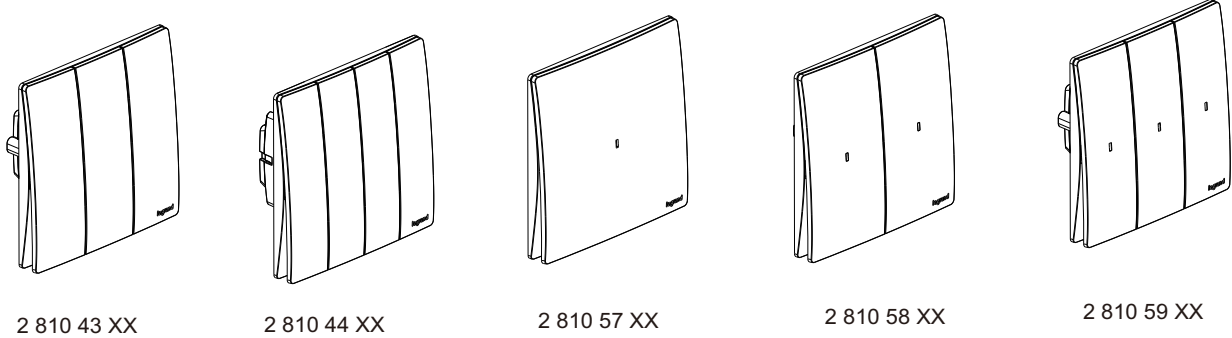


Mallia™ Senses Push Button

Cat. No(s): 2 810 43/44/57/58/59 XX
 "XX" = Color / finishes: MW MB DS DB CH BA BB



1. USE

Mechanisms without marking for the control of bells, buzzers, room controller units and so on.
 (Supplied with M3.5 screws for Flush mounting or surface mounting BS boxes.)

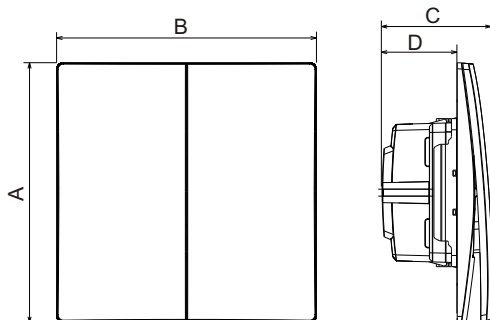
2. RANGE

Designation	Cat. No.
PUSH BUTTON 3G W/O LED	2 810 43 XX
PUSH BUTTON 4G W/O LED	2 810 44 XX
ILLUMINATED 250V 1G PUSH BUTTON	2 810 57 XX
ILLUMINATED 250V 2G PUSH BUTTON	2 810 58 XX
ILLUMINATED 250V 3G PUSH BUTTON	2 810 59 XX

Colours

- Front: MW/MB/DS/CH/DB/BA/BB
- Rear: grey
- 2 810 XX MW Matt White
- 2 810 XX MB Matt Black
- 2 810 XX DS Dark Silver
- 2 810 XX CH Champagne
- 2 810 XX DB Dark Bronze
- 2 810 XX BA Brushed Aluminium
- 2 810 XX BB Brushed Black

3. DIMENSIONS (mm)



References	A	B	C	D
2 810 43/44/57/58/59 XX	86	86	36.8	24.9

4. CONNECTION

Types of terminals: with screws
 Terminal capacity: 3 × 1 mm²
 3 × 1.5 mm²
 2 × 2.5 mm²
 1 × 4 mm²

Intermediate switches recommended stripping length: 8 mm
 Other switches recommended stripping length: 12 mm
 Recommended screwdriver size: <4 mm flat blade

5. TECHNICAL CHARACTERISTICS

5.1 Material characteristics

Rocker: PC
 Frame: Steel
 Base: PC
 Base cover: PP
 Self-extinguishing:
 + 850° C / 30 s for insulating parts holding live parts in place
 + 650° C / 30 s for other parts made of insulating materials

5.2 Electrical characteristics

Voltage: 250V~
 Current: 10A

5.4 Climatic characteristics

Storage temperatures: -10°C to +70°C
 Operating temperatures: -5°C to +50°C

5.5 Mechanical characteristics

Impact test: IK04
 Protection against solids & liquids: IP20

6. CLEANING

Surface cleaning with a soft, slightly damp cloth.
 Do not use: acetone, tar remover, trichloroethylene

7. CONFORMITY - APPROVALS

Conform to IEC 60669-1.