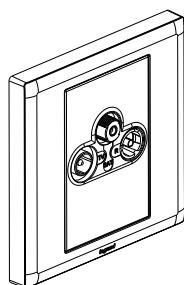


Eloe™ Senses TV-R-SAT Sockets



6 180 32

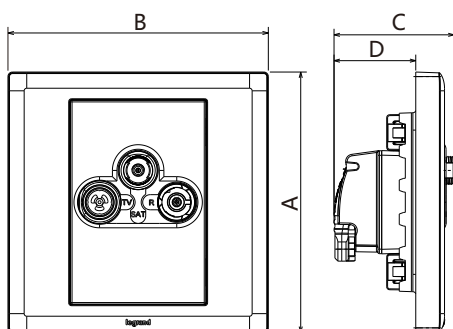
1. USE

TV/R/SAT: for receiving TV, radio and satellite signals.
 UHD (ultra high definition) compatible.
 Class A shielded star sockets LTE Ready (4G protected).
 Recommended coaxial cable 17/19 VATC.
 Single cable entry.
 (Supplied with M3.5 screws for Flush mounting or surface mounting BS boxes.)

2. RANGE

Designation	White
1 GANG TV-R-SAT SOCKET	6 180 32

3. DIMENSIONS (mm)



References	A	B	C	D
6 180 32	86	86	39.6	27

Minimum depth of the box ≥ 35 mm

4. TECHNICAL CHARACTERISTICS

4.1 Material characteristics

Plate: PC
 Frame: PC
 Base: steel
 Self-extinguishing: + 650°C / 30 s

4.2 Electrical characteristics

- Male connector Φ 9.52 mm (TV)
- Female connector (Radio)
- Female F screw-type connector (SAT)

Characteristic impedance: 75 ohm
 Class A shielding efficiency (class A shielding is necessary to prevent interference caused by using new 3 and 4 G phone signals, as these unwanted signals can result in pixellation on screen or adversely affect the sound track).
 Frequency bands:
 TV: 5-68 / 120-862 MHZ
 R: 87.5-108 MHZ
 SAT: 950-2400 MHZ
 Attenuation : < 1.5 dB maximum

4.3 Climatic characteristics

Storage temperatures: -10°C to +70°C
 Operating temperatures: -5°C to +35°C

4.4 Mechanical characteristics

Impact test: IK04
 Protection against solids & liquids: IP20

5. CLEANING

Surface cleaning with a soft, slightly damp cloth.
 Do not use: acetone, tar remover, trichloroethylene.

6. CONFORMITY - APPROVALS

Compliant with installation and manufacturing standards.
 See e-catalogue.