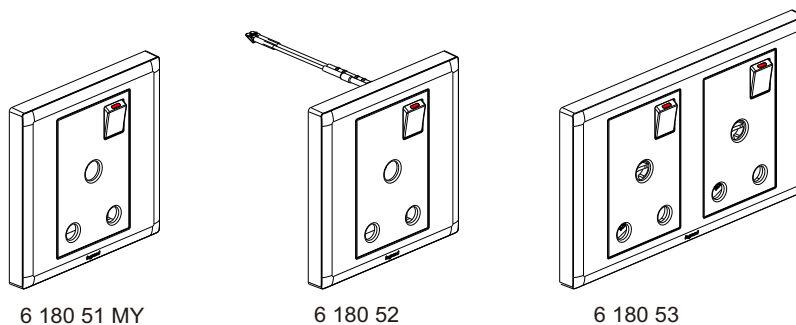


Eloe™ Senses BS 15A Switched Socket

Cat. No(s): 6 180 51 MY
 6 180 52/53
 "MY" = Malaysia



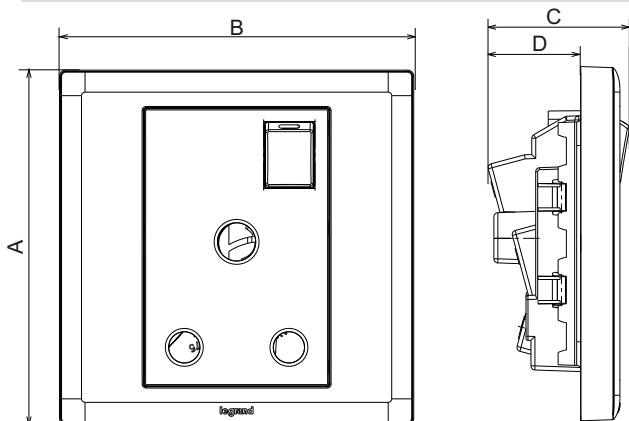
1. USE

15A socket outlets designed to accept BS 15A plugs.
 (Supplied with M3.5 screws for Flush mounting or surface mounting BS boxes.)

2. RANGE

Designation	White
1 GANG BS 15A SINGLE POLE SWITCHED SOCKET	6 180 51 MY
1 GANG BS 15A SINGLE POLE SWITCHED + NEON	6 180 52
2 GANG BS 15A SINGLE POLE SWITCHED SOCKET	6 180 53

3. DIMENSIONS (mm)



References	A	B	C	D
6 180 51 MY/52	86	86	34.3	22.7
6 180 53	86	146	34.3	22.7

Box depth ≥ 35 mm

4. CONNECTION

Types of terminals: with screws
 Terminal capacity: 3 × 2.5 mm²
 2 × 4 mm²
 1 × 6 mm²
 Recommended stripping length: 12 mm
 Recommended screwdriver size: <4 mm flat blade

5. TECHNICAL CHARACTERISTICS

5.1 Material characteristics
 Plate: PC
 Rocker: PC
 Frame: PC
 Base: PC
 Self-extinguishing:
 + 850° C / 30 s for insulating parts holding live parts in place
 + 650° C / 30 s for other parts made of insulating materials

5.2 Electrical characteristics
 Voltage: 250V~
 Current: 15A

5.3 Climatic characteristics
 Storage temperatures: -10°C to +70°C
 Operating temperatures: -5°C to +35°C

5.4 Mechanical characteristics
 Impact test: IK04
 Protection against solids & liquids: IP20

6. CLEANING

Surface cleaning with a soft, slightly damp cloth.
 Do not use: acetone, tar remover, trichloroethylene

7. CONFORMITY - APPROVALS

Conform to BS 546.