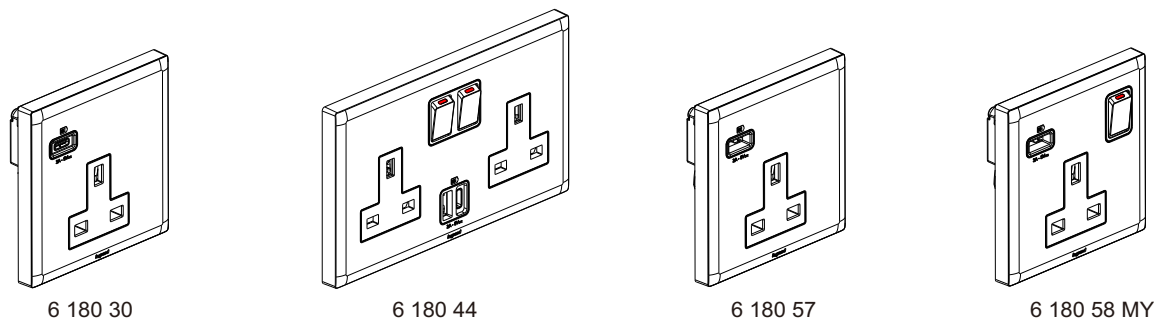


Eloe™ Senses BS 13A Socket with USB

Cat. No(s): 6 180 /30/44/57
 6 180 58 MY
 "MY" = Malaysia



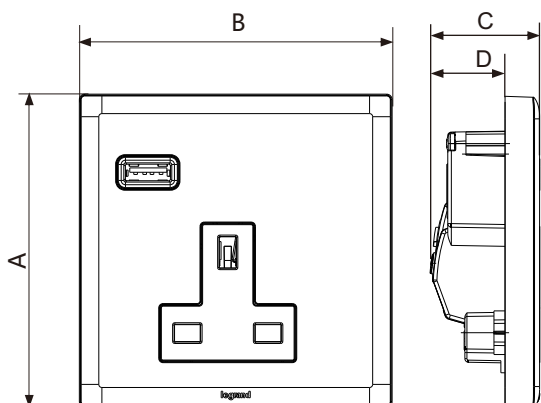
1. USE

Sockets with USB chargers for recharging portables devices such as smart phones, tablets, powerbanks, etc.
 (Supplied with M3.5 screws for Flush mounting or surface mounting BS boxes.)

2. RANGE

Designation	White
1 GANG BS 13A unswtd SOCKET + USB TYPE C WHITE	6 180 30
2 GANG BS 13A SINGLE POLE SWITCHED SOCKET + USB A&C	6 180 44
1 GANG BS 13A UNSWITCHED SOCKET + USB A	6 180 57
1 GANG BS 13A SINGLE POLE SWITCHED SOCKET + USB A	6 180 58 MY

3. DIMENSIONS (mm)



References	A	B	C	D
6 180 30/57	86	86	30.2	20.6
6 180 44	86	146	30.3	18.2
6 180 58 MY	86	86	32.7	20.6

Box depth ≥ 35 mm

4. CONNECTION

Types of terminals: with screws
 Terminal capacity: 3 × 2.5 mm²
 3 × 4 mm²
 2 × 6 mm²

Recommended stripping length: 12 mm
 Recommended screwdriver size: <4 mm flat blade

5. TECHNICAL CHARACTERISTICS

5.1 Material characteristics

Rocker: PC
 Plate: PC
 Frame: Steel
 Base: PP
 Self-extinguishing:
 + 850° C / 30 s for insulating parts holding live parts in place
 + 650° C / 30 s for other parts made of insulating materials

5.2 Electrical characteristics

13A Socket:
 Voltage: 250V~ Current: 13A
 Frequency: 50/60Hz

USB Chargers:

All values listed below are measured at an ambient temperature of + 25° and after 15 minutes of operation.

Type	1 USB (Type A)	1 USB (Type C)	2 USB (Type A+C)
Nominal input voltage	220-240V~	100-240V~	220-240V~
Nominal input frequency	50-60 Hz		
USB Power	15 W	15 W	15 W
Maximum input current	300 mA	500 mA	300 mA
Maximum power consumption in standby	0.075 W		
Power average efficiency	81.39%	81.39%	81.39%
Nominal output voltage	5V---		
Maximum output current	3.0A	3.0 A	3.0 A*

No-load consumption and average energy efficiency: Level VI**

Protection class	II - Low voltage
------------------	------------------

* Note : shared on A and C output

** Note : European Regulation No. 278/2009 of 6 April 2009, Directive 2005/32/EC on eco-design requirements for AC/DC power supplies.

Note : To optimize the charging time of your device, ensure to turn it off during the charging phase.

Eloe™ Senses

BS 13A Socket with USB

Cat. No(s): 6 180 /30/44/57
6 180 58 MY
"MY" = Malaysia

5.3 Climatic characteristics

Storage temperatures: -10°C to +70°C
Operating temperatures: -5°C to +35°C

5.4 Mechanical characteristics

Impact test: IK04
Protection against solids & liquids: IP20

6. CLEANING

Surface cleaning with a soft, slightly damp cloth.
Do not use: acetone, tar remover, trichloroethylene

7. CONFORMITY - APPROVALS

Conform to BS1363-2.