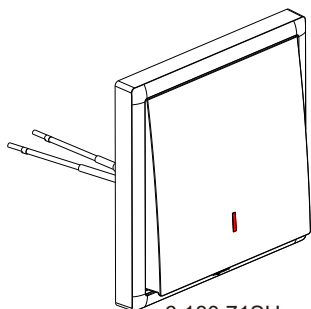
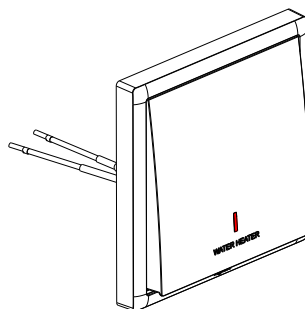


# Eloe™ Senses 20A DP Switches

Cat. No(s): **6 180 71SH/72/79**  
**6 180 70/71/89 MY**  
 "MY" = Malaysia



6 180 71SH  
6 180 70/71/89 MY



6 180 72/79

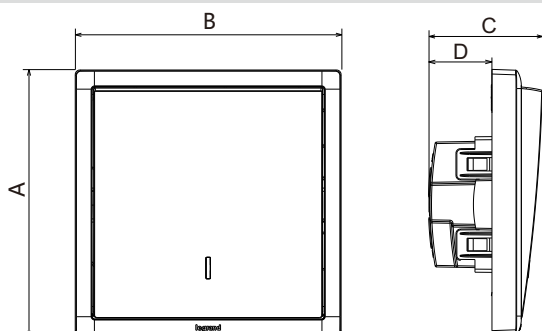
## 1. USE

General lighting control mechanisms with LED(indicator, light).  
 (Supplied with M3.5 screws for Flush mounting or surface mounting BS boxes.)

## 2. RANGE

Designation	White
1 GANG 20A DOUBLE POLE SWITCH + NEON	6 180 70 MY
1 GANG 20A DOUBLE POLE SWITCH + NEON + EARTH	6 180 71 MY
1 GANG 20A DOUBLE POLE SWITCH + NEON + TWO EARTH	6 180 71 SH
1 GANG 20A DOUBLE POLE SWITCH + NEON + EARTH + WATER HEATER SIGN	6 180 72
1 GANG 2 WAY 20A DOUBLE POLE SWITCH + NEON + ONE EARTH WHITE ROCKER+ WATER HEATER MARKING	6 180 79
1 GANG 2 WAY 20A DOUBLE POLE SWITCH + NEON + ONE EARTH WHITE ROCKER	6 180 89 MY

## 3. DIMENSIONS (mm)



## 3. DIMENSIONS (mm)(continued)

References	A	B	C	D
6 180 71SH/72/79 6 180 70/71/89 MY	86	86	36.8	20.5

Box depth ≥ 35 mm

## 4. CONNECTION

Types of terminals: with screws

Terminal capacity: 3 × 1 mm<sup>2</sup>  
 3 × 1.5 mm<sup>2</sup>  
 2 × 2.5 mm<sup>2</sup>  
 1 × 4 mm<sup>2</sup>

Recommended stripping length: 8 mm

Recommended screwdriver size: <4 mm flat blade

## 5. TECHNICAL CHARACTERISTICS

### 5.1 Material characteristics

Rocker: PC

Frame: PC

Base: PP

Self-extinguishing:

+ 850° C / 30 s for insulating parts holding live parts in place

+ 650° C / 30 s for other parts made of insulating materials

### 5.2 Electrical characteristics

Voltage: 250V~

Current: 20A

### 5.3 Caution of use:

The maximum number of maximum wattage of each lighting circuit incorporating electronic ballasted lamps should be such that the inrush current should not exceed the following parameter.

Rated Current	I <sub>peak</sub>	I <sup>2</sup> t	Recommended Wattage (Include SBL - Self Ballasted Lamp)
20A	192A	13A <sup>2</sup> s	250W

Switches with a rated voltage of 250 V shall be considered as switches for a distribution system 230/400 V.

### 5.4 Climatic characteristics

Storage temperatures: -10°C to +70°C

Operating temperatures: -5°C to +35°C

### 5.5 Mechanical characteristics

Impact test: IK04

Protection against solids & liquids: IP20

## 6. CLEANING

Surface cleaning with a soft, slightly damp cloth.

Do not use: acetone, tar remover, trichloroethylene

## 7. CONFORMITY - APPROVALS

Conform to BS EN 60669-1.