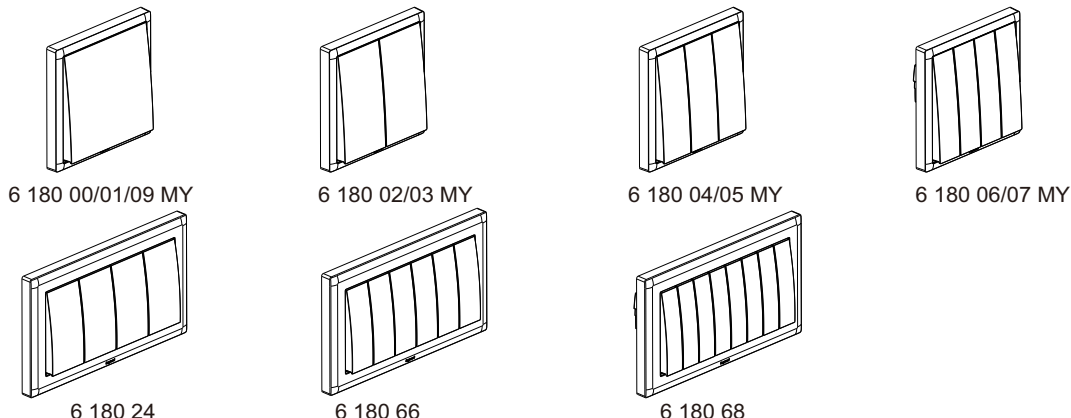


Eloe™ Senses 16AX Switches

Cat. No(s): 6 180 00/01/02/03/04/05/06/07/09 MY
 6 180 24/66/68
 "MY" = Malaysia



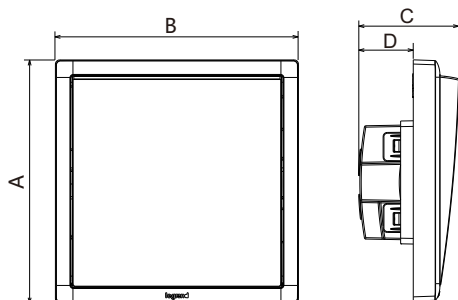
1. USE

General lighting control mechanisms.
 (Supplied with M3.5 screws for Flush mounting or surface mounting BS boxes.)

2. RANGE

Designation	White
1 GANG 1 WAY SWITCH	6 180 00 MY
1 GANG 2WAY SWITCH	6 180 01 MY
2 GANG 1 WAY SWITCH	6 180 02 MY
2 GANG 2 WAY SWITCH	6 180 03 MY
3 GANG 1 WAY SWITCH	6 180 04 MY
3 GANG 2 WAY SWITCH	6 180 05 MY
4 GANG 1 WAY SWITCH	6 180 06 MY
4 GANG 2 WAY SWITCH	6 180 07 MY
INTERMEDIATE SWITCH	6 180 09 MY
2X2 GANG 2 WAY SWITCH	6 180 24
2X3 GANG 1 WAY SWITCH	6 180 66
2X4 GANG 1 WAY SWITCH	6 180 68

3. DIMENSIONS (mm)



References	A	B	C	D
6 180 00/01/02/03/04/05/06/07 MY	86	86	35.9	19.5
6 180 09 MY	86	86	35.7	19.6
6 180 24/66/68	86	146	34.7	19.6

Box depth ≥ 35 mm

4. CONNECTION

Types of terminals: with screws
 Terminal capacity: 3 × 1 mm²
 3 × 1.5 mm²
 2 × 2.5 mm²
 1 × 4 mm²

Intermediate switches recommended stripping length: 8 mm
 Other switches recommended stripping length: 12 mm
 Recommended screwdriver size: <4 mm flat blade

5. TECHNICAL CHARACTERISTICS

5.1 Material characteristics

Rocker: PC
 Frame: PC
 Plate: PC
 Base: PP
 Self-extinguishing:
 + 850° C / 30 s for insulating parts holding live parts in place
 + 650° C / 30 s for other parts made of insulating materials

5.2 Electrical characteristics

Voltage: 250V~
 Current: 16AX

5.3 Climatic characteristics

Storage temperatures: -10°C to +70°C
 Operating temperatures: -5°C to +35°C

5.4 Caution of use:

The maximum number of maximum wattage of each lighting circuit incorporating electronic ballasted lamps should be such that the inrush current should not exceed the following parameter.

Rated Current	I _{peak}	I ² t	Recommended Wattage (Include SBL - Self Ballasted Lamp)
16AX	170A	9A ² s	200W

Switches with a rated voltage of 250 V shall be considered as switches for a distribution system 230/400 V.

5.5 Mechanical characteristics

Impact test: IK04
 Protection against solids & liquids: IP20

6. CLEANING

Surface cleaning with a soft, slightly damp cloth.
 Do not use: acetone, tar remover, trichloroethylene

7. CONFORMITY - APPROVALS

Conform to BS EN 60669-1.