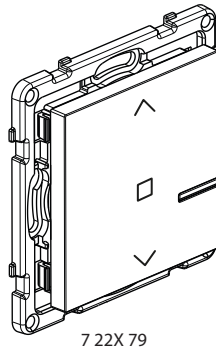


SEANO™

Cat. No(s): 7 221 79, 7 222 79, 7 223 79, 7 224 79

Connected wireless control for roller shutters



7 22X 79

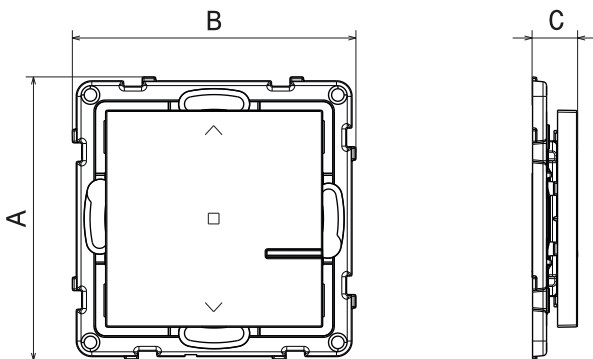
1. USE

Zone or centralised control for wired roller shutter switches.
 -Fixes directly on the wall or screws onto a flush-mounting box.
 Multi-gang versions can be combined with other wiring accessories.
 -Fits on a piece of furniture (movable).
 Can control up to 20 roller shutter switches.

2. RANGE

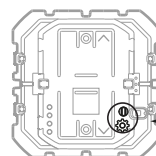
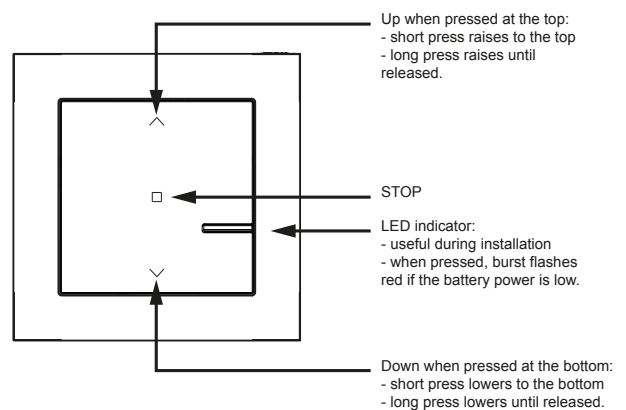
Description	White	Ivory	Aluminum	Black
WIRELESS CENTRALIZED SHUTTERS REMOTE SWITCH	7 221 79	7 222 79	7 223 79	7 224 79

3. DIMENSIONS (mm)



References	A	B	C
7 22X 79	72,9	72,9	11,5

4. OPERATION



SETUP/RESET button
see the manual

Connected wireless control for roller shutters

5. TECHNICAL CHARACTERISTICS

■ 5.1 Mechanical characteristics

Protection against impacts: IK 02
Protection against solid bodies/liquids:
- IP 20 without plate and rocker plate
- IP 40 for assembled product

■ 5.2 Material characteristics

Plate: ABS
Sub-plate: PC
Rocker plate: ABS
Colours: White RAL 9003 - Ivory RAL 1013
Aluminium, Black
Mechanism casing with support: Fibreglass-reinforced (10 %) PC
Halogen-free
UV resistant

Self-extinguishing: 650°C/30 s

■ 5.3 Electrical characteristics

Powered by a CR2032 - 3 V lithium battery (supplied)
Battery life: 8 years for 10 activations a day
ZigBee radio technology frequency: 2.4 GHz to 2.4835 GHz
Power level: < 100 mW
Wireless mesh network, self-adaptive and secure (AES 128), conforming to standard IEEE 802.15.4 (LR-WPAN)

■ 5.4 Climatic characteristics

Usage temperature: + 5° C to + 45° C
Storage temperature: 0° C to + 45° C

6. MAINTENANCE

Clean the surface with a cloth.
Do not use acetone, tar-removing cleaning agents or trichloroethylene.
Resistant to the following products: Hexane (EN 60669-1), methylated spirit, soapy water, diluted ammonia, bleach diluted to 10%, window-cleaning products, pre-impregnated wipes.

Caution: Always test before using other special cleaning products.

The plates must not be painted.



Take care to recycle the battery appropriately.

7. ACCESSORIES

0 648 71: Repositionable adhesive for wireless control (x 4 supplied)

8. STANDARDS AND APPROVALS

The undersigned, LEGRAND, declares that the radio-electric equipment type (0 777 09L) complies with directive 2014/53/EU.
The full text of the EU declaration of conformity is available on the following website: www.legrandoc.com
Compliant with installation and manufacturing standards.
See e.catalogue.