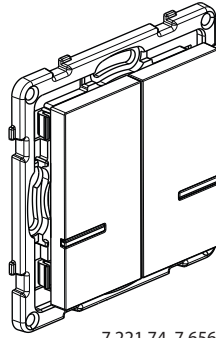


SUNO™ - SEANO™
Connected 2-gang ON/OFF wireless control
for lighting and sockets

Cat. No(s): 7 221 74 - 7 222 74 - 7 223 74 - 7 224 74
7 656 34 - 7 657 34 - 765 8 34 - 7659 34



7 221 74, 7 656 34

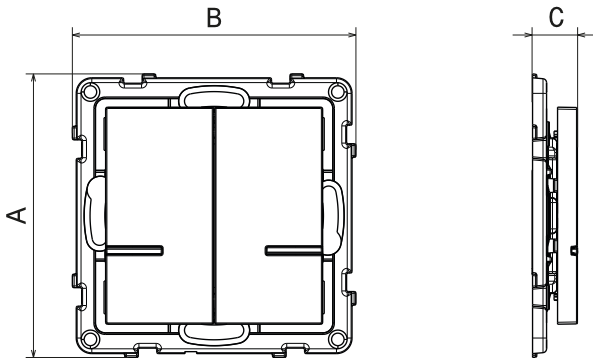
1. USE

Wireless control for 2 ON/OFF light functions or connected socket.
 Controls micromodule products, connected sockets and connected dimmer switches.
 Can be used as a two-way switch or to control a lighting group.
 • Fixes directly on the wall or screws onto a flush-mounting box.
 Multi-gang versions can be combined with other wiring accessories.
 • Fits on a piece of furniture (movable).
 Can control up to 20 micromodules, connected sockets, connected dimmer switches.

2. RANGE

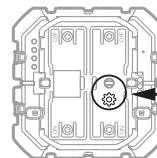
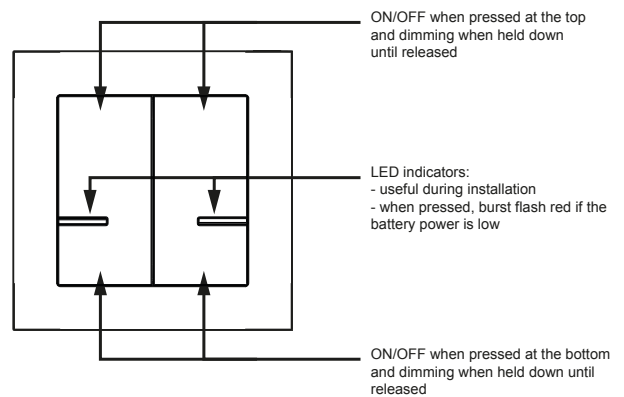
Description	Family	White	Ivory	Aluminum	Black	Dark Grey
Wireless remote switch 4-ways ON/OFF	SUNO	7 221 74	7 222 74	7 223 74	7 224 74	-
	SEANO	7 656 34	-	7 657 34	7 658 34	7 659 34

3. DIMENSIONS (mm)



References	A	B	C
7 221 74, 7 656 34	72.9	72.9	11.5

4. OPERATION



SETUP/RESET button
 see the manual

SUNO™ - SEANO™

Connected 2-gang ON/OFF wireless control for lighting and sockets

Cat. No(s): 7 221 74 - 7 222 74 - 7 223 74 - 7 224 74
7 656 34 - 7 657 34 - 765 8 34 - 7659 34

5. TECHNICAL CHARACTERISTICS

■ 5.1 Mechanical characteristics

Protection against impacts: IK 02
Protection against solid bodies/liquids:
- IP 20 without plate and rocker plate
- IP 40 for assembled product

■ 5.2 Material characteristics

Plate: ABS
Sub-plate: PC
Rocker plate: ABS
Colours: White RAL 9003 - Ivory RAL 1013
Aluminium, Black, Dark Grey

Mechanism casing with support: Fibreglass-reinforced (10 %) PC
Halogen-free
UV resistant

Self-extinguishing: 650°C/30 s

■ 5.3 Electrical characteristics

Powered by a CR2032 - 3 V lithium battery (supplied)
Battery life: 8 years for 10 activations a day
ZigBee radio technology frequency: 2.4 GHz to 2.4835 GHz
Wireless mesh network, self-adaptive and secure (AES 128), conforming to standard IEEE 802.15.4 (LR-WPAN)
Power level: < 100 mW

■ 5.4 Climatic characteristics

Usage temperature: + 5° C to + 45° C
Storage temperature: 0° C to + 45° C

6. MAINTENANCE

Clean the surface with a cloth.
Do not use acetone, tar-removing cleaning agents or trichloroethylene.
Resistant to the following products: Hexane, methylated spirit, soapy water, diluted ammonia, bleach diluted to 10%, window-cleaning products, pre-impregnated wipes.

Caution: Always test before using other special cleaning products.

Do not paint the cover plate!



Take care to recycle the battery appropriately.

7. ACCESSORIES

0 648 71: Repositionable adhesive for wireless control (x 4 supplied)

8. STANDARDS AND APPROVALS

Compliant with installation and manufacturing standards.
See e-catalogue.
The undersigned, LEGRAND, declares that the radio-electric equipment type (Cat. Nos 7 221 74 - 7 222 74 7 223 74 - 7 224 74 - 7 656 34 - 7 657 34 - 7 658 34 - 7 659 34) complies with directive 2014/53/EU. The full text of the EU declaration of conformity is available on the following website: www.legrand.com/ecatalogue