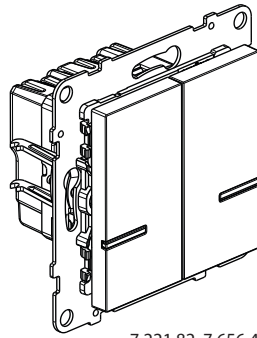


SUNO™ - SEANO™
Double connected switch with neutral

Cat. No(s): 7 221 82 - 7 222 82 - 7 223 82 - 7 224 82
7 656 42 - 7 657 42 - 7 658 42 - 7 659 42



7 221 82, 7 656 42

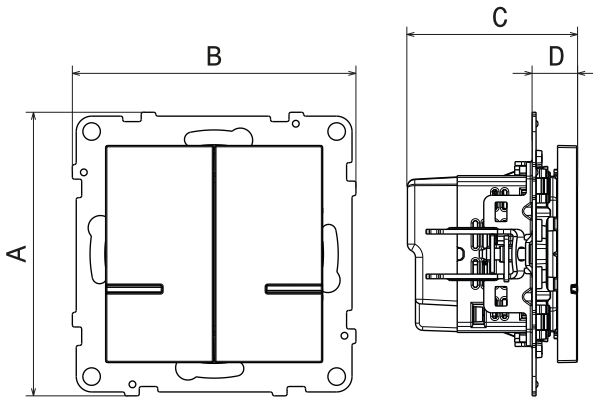
1. USE

Double switch with neutral for 2 ON/OFF light functions.
 Can be used as a two-way switch or to control a lighting group.
 Compatible all loads 250 W max. per output.
 Easy to install in place of a standard switch in a box 40 mm deep (min.).
 Claws and/or screws fixing.

2. RANGE

| Description | Family | White | Ivory | Aluminum | Black | Dark Grey |
|--|--------|----------|----------|----------|----------|-----------|
| Connected light switch with neutral 2-Gang 2X250W | SUNO | 7 221 82 | 7 222 82 | 7 223 82 | 7 224 82 | - |
| | SEANO | 7 656 42 | - | 7 657 42 | 7 658 42 | 7 659 42 |

3. DIMENSIONS (mm)

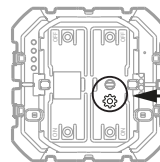
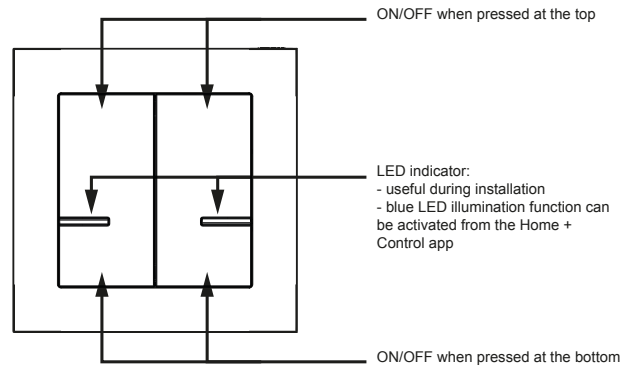


| References | A | B | C | D |
|--------------------|------|------|------|------|
| 7 221 82, 7 656 42 | 72.9 | 72.9 | 43.7 | 11.6 |

4. CONNECTION

Type of terminals: with screws
 Terminal capacity: 2 x 1.5 mm² or 1 x 2.5 mm²
 Stripping length: 8 mm
 Flat screwdriver: 3 mm

5. OPERATION



SETUP/RESET button
 see the manual

6. TECHNICAL CHARACTERISTICS

■ 6.1 Mechanical characteristics

Protection against impacts: IK 04

Protection against solid bodies/liquids: IP 41 assembled product

■ 6.2 Material characteristics

Plate: ABS

Sub-plate: PC

Rocker: ABS

Colours: White RAL 9003

Ivory RAL 1013

painted Aluminium, Black, Dark Grey

Mechanism casing: PC

Support: Grey PC RAL 7016 + metal

Halogen-free

UV-resistant

Self-extinguishing:

850°C/30 s for insulating parts holding live parts in place.

650°C/30 s for the other insulating components.

■ 6.3 Electrical characteristics

Voltage: 110-240 V~

Power: 250 W max. per output

Current: 1.1 A max. per output

Frequency: 50/60 Hz

Load table:

Zigbee technology 2.4 GHz to 2.4835 GHz

Power level: < 100 mW

Range: 200 m of unobstructed space

10 m between products indoors

■ 6.4 Climatic characteristics

Storage temperature: 0°C to + 45°C

Usage temperature: + 5°C to + 45°C

7. MAINTENANCE

Clean the surface with a cloth.

Do not use acetone, tar-removing cleaning agents or trichloroethylene.

Resistant to the following products:

Hexane, methylated spirit, soapy water, diluted ammonia, pure bleach diluted to 10%, window-cleaning products, pre-impregnated wipes

Caution: Always test before using other special cleaning products.

Do not paint the cover plate!

8. STANDARDS AND APPROVALS

Compliant with installation and manufacturing standards.

See e-catalogue.

The undersigned, LEGRAND, declares that the radio-electric equipment type (Cat. Nos 7 221 82 - 7 222 82 - 7 223 82 - 7 224 82 - 7 656 42 - 7 657 42 - 7 658 42 - 7 659 42) complies with directive 2014/53/EU. The full text of the EU declaration of conformity is available on the following website: www.legrand.com/ecatalogue