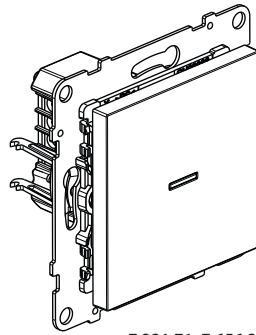


SUNO™ - SEANO™
Connected switch with neutral
(with dimmer option)

Cat. No(s): 7 221 71 - 7 222 71 - 7 223 71 - 7 224 71
7 656 31 - 7 657 31 - 7 658 31 - 7 659 31



7 221 71, 7 656 31

1. USE

Connected switch with neutral (with dimmer option), configured by default as ON/OFF.

Can be combined with one or more wireless lighting controls (dimmer mode can be activated from the Home + Control app) and/or mechanical push-buttons

For local or remote control of your lighting

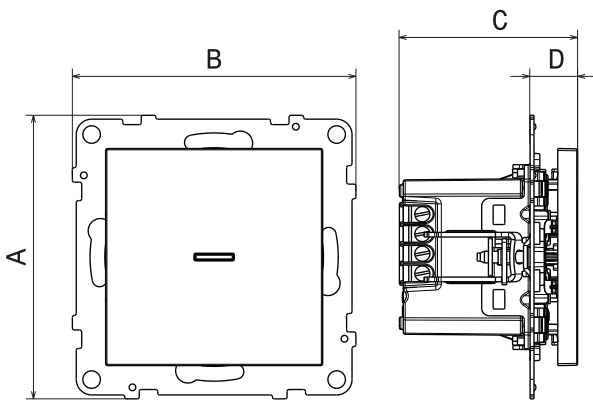
Easy to install in place of a standard switch in a box 40 mm deep (minimum).

Fixing with claws and/or screws.

2. RANGE

Description	Family	White	Ivory	Aluminum	Black	Dark Grey
Connected light dimmer switch with neutral 150W	SUNO	7 221 71	7 222 71	7 223 71	7 224 71	-
	SEANO	7 656 31	-	7 657 31	7 658 31	7 659 31

3. DIMENSIONS (mm)



References	A	B	C	D
7 221 71, 7 656 31	72.9	72.9	45.8	12.2

4. CONNECTION

Terminal type : with screws

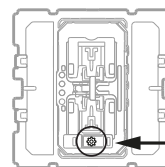
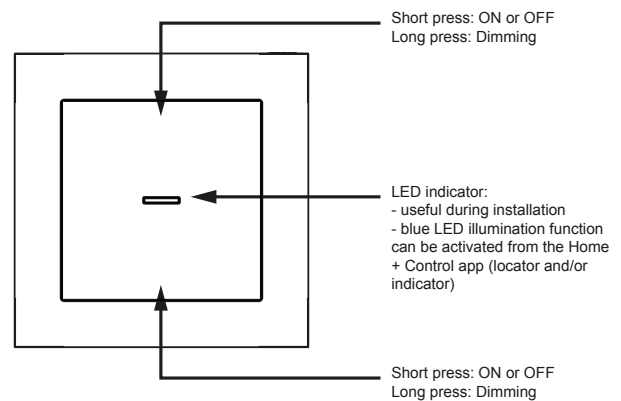
Terminal capacity: 1 x 2.5 mm² - 2 x 1.5 mm²

Stripping length: 7 mm

Screwdriver: 3 mm flat

5. OPERATION

Integrated time delay for up/down inversion = 500 ms



SETUP/RESET button
see the manual

6. TECHNICAL CHARACTERISTICS

■ 6.1 Mechanical characteristics

Protection against impacts: IK 04

Protection against solid bodies/liquids: IP 41 assembled product

■ 6.2 Material characteristics

Plate: ABS

Rocker: ABS

Colours: White RAL 9003

Ivory RAL 1013

Painted Aluminium, Black, Dark Grey

Mechanism casing: PC

Support: Grey PC RAL 7016 + metal

Halogen-free

UV-resistant

Self-extinguishing:

850°C/30 s for insulating parts holding live parts in place.

650°C/30 s for the other insulating components.

■ 6.3 Electrical characteristics

Voltage: 110-240 V~

Power: 150 W

Frequency: 50/60 Hz

Standby consumption: 0.7 W

Frequency bands: 2.4 GHz to 2.4835 GHz

Power level: < 100 mW

Range: 200 m of unobstructed space

10 m between products indoors

■ 6.4 Climatic characteristics

Storage temperature: 0°C to + 45°C

Usage temperature: + 5°C to + 45°C

7. MAINTENANCE

Clean the surface with a cloth.

Do not use acetone, tar-removing cleaning agents or trichloroethylene.

Resistant to the following products: Hexane (EN 60669-1), methylated

spirit, soapy water, diluted ammonia, bleach diluted to 10%, window-

cleaning products, pre-impregnated wipe

Caution: Always test before using other special cleaning products.

Do not paint the cover plate!

8. STANDARDS AND APPROVALS

Compliant with installation and manufacturing standards.

See e-catalogue.

The undersigned, LEGRAND, declares that the radio-electric equipment

type (Cat. Nos 7 221 71 - 7 222 71 - 7 223 71 - 7 224 71 - 7 656 31 - 7 657

31 - 7 658 31 - 7 659 31) complies with directive 2014/53/EU. The full

text of the EU declaration of conformity is available on the following

website: www.legrand.com/ecatalogue