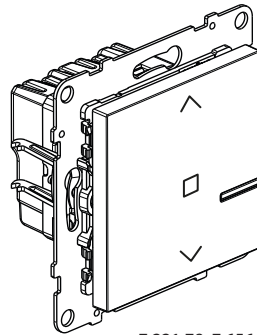


SUNO™ - SEANO™
Connected switch for roller shutters

Cat. No(s): 7 221 78 - 7 222 78 - 7 223 78 - 7 224 78
7 656 38 - 7 657 38 - 7 658 38 - 7 659 38



7 221 78, 7 656 38

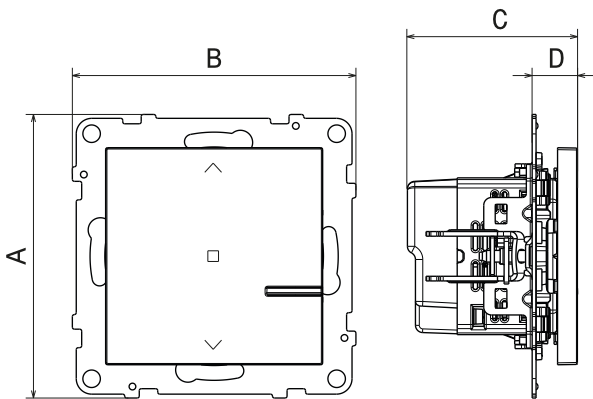
1. USE

For local or remote control of a roller shutter. Can be combined with one or more wireless roller shutter controls.
 Can be installed in place of an existing roller shutter switch in a flushmounting box 40 mm deep (minimum). The Valena with Netatmo solution is compatible with roller shutters with a mechanical or electromechanical stop, controlled by a standard wired switch for roller shutters
 Caution: Must be connected to the neutral.
 Not compatible with radio-controlled roller shutter motors.
 Claw and/or screw fixing.
 One-piece mechanism (grid + mechanism).

2. RANGE

Description	Family	White	Ivory	Aluminum	Black	Dark Grey
Connected shutter switch with neutral	SUNO	7 221 78	7 222 78	7 223 78	7 224 78	-
	SEANO	7 656 38	-	7 657 38	7 658 38	7 659 38

3. DIMENSIONS (mm)



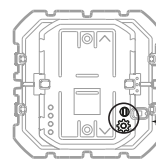
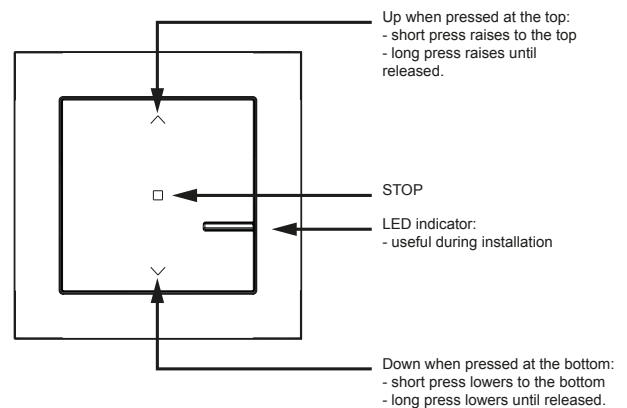
References	A	B	C	D
7 221 78, 7 656 38	72.9	72.9	43.7	11.6

4. CONNECTION

Terminal type : with screws
 Terminal capacity: 1 x 2.5 mm² - 2 x 1.5 mm²
 Stripping length: 8 mm
 Screwdriver: 3 mm flat

5. OPERATION

Integrated time delay for up/down inversion = 500 ms



SETUP/RESET button
 see the manual

6. TECHNICAL CHARACTERISTICS

■ 6.1 Mechanical characteristics

Protection against impacts: IK 04

Protection against solid bodies/liquids: IP 41 assembled product

■ 6.2 Material characteristics

Plate: ABS

Sub-plate: PC

Rocker: ABS

Colours: White RAL 9003

Ivory RAL 1013

painted Aluminium, Black, Dark Grey

Mechanism casing: PC

Support: Grey PC RAL 7016 + metal

Halogen-free

UV-resistant


Self-extinguishing:

850°C/30 s for insulating parts holding live parts in place.

650°C/30 s for the other insulating components.

■ 6.3 Electrical characteristics

Voltage: 110-240 V~

Power: 500 VA max 1x 

Standby consumption: 0.1 mA

Zigbee technology 2.4 GHz to 2.4835 GHz

Power level: < 100 mW

Range: 200 m of unobstructed space

10 m between products

■ 6.4 Climatic characteristics

Storage temperature: 0°C to + 45°C

Usage temperature: + 5°C to + 45°C

7. MAINTENANCE

Clean the surface with a cloth.

Do not use acetone, tar-removing cleaning agents or trichloroethylene.

Resistant to the following products: Hexane,, methylated spirit, soapy water, diluted ammonia, bleach diluted to 10%, windowcleaning products, pre-impregnated wipes

Caution: Always test before using other special cleaning products.

Do not paint the cover plate!

8. STANDARDS AND APPROVALS

Compliant with installation and manufacturing standards.

See e-catalogue.

The undersigned, LEGRAND, declares that the radio-electric equipment type (Cat. Nos 7 221 78 - 7 222 78 7 223 78 - 7 224 78 - 7 656 38 - 7 657 38 - 7 658 38 - 7 659 38) complies with directive 2014/53/EU. The full text of the EU declaration of conformity is available on the following website: www.legrand.com/ecatalogue