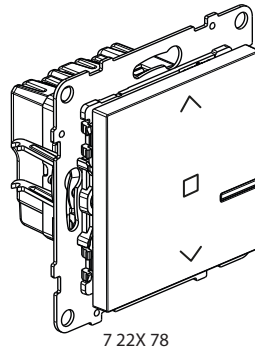


SEANO™

Connected switch for roller shutters

Cat. No(s): 7 221 78, 7 222 78, 7 223 78, 7 224 78



7 22X 78

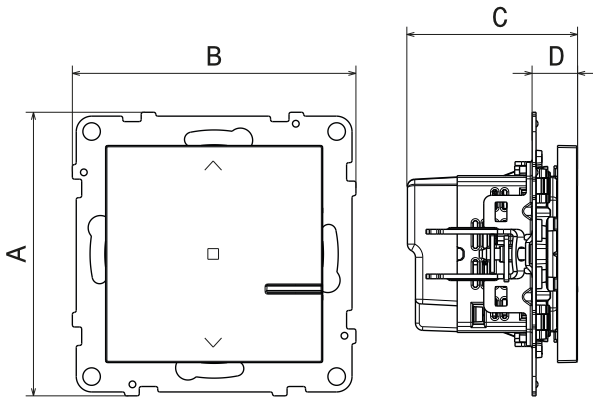
1. USE

For local or remote control of a roller shutter. Can be combined with one or more wireless roller shutter controls.
 Can be installed in place of an existing roller shutter switch in a flushmounting box 40 mm deep (minimum). The Valena with Netatmo solution is compatible with roller shutters with a mechanical or electromechanical stop, controlled by a standard wired switch for roller shutters
 Caution: Must be connected to the neutral.
 Not compatible with radio-controlled roller shutter motors.
 Claw and/or screw fixing.
 One-piece mechanism (grid + mechanism).

2. RANGE

Description	White	Ivory	Aluminum	Black
CONNECTED SHUTTER SWITCH WITH NEUTRAL	7 221 78	7 222 78	7 223 78	7 224 78

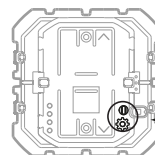
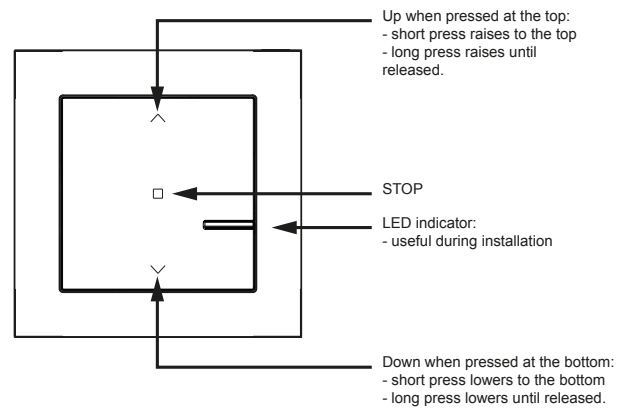
3. DIMENSIONS (mm)



References	A	B	C	D
7 22X 78	72,9	72,9	43,7	11,6

5. OPERATION

Integrated time delay for up/down inversion = 500 ms



SETUP/RESET button
 see the manual

4. CONNECTION

Terminal type : with screws
 Terminal capacity: 1 x 2.5 mm² - 2 x 1.5 mm²
 Stripping length: 8 mm
 Screwdriver: 3 mm flat

6. TECHNICAL CHARACTERISTICS

■ 6.1 Mechanical characteristics

Protection against impacts: IK 04

Protection against solid bodies/liquids: IP 41 assembled product

■ 6.2 Material characteristics

Plate: ABS

Sub-plate: PC

Rocker: ABS

Colours: White RAL 9003

Ivory RAL 1013

painted Aluminium, Black

Mechanism casing: PC

Support: Grey PC RAL 7016 + metal

Halogen-free

UV-resistant

Self-extinguishing:

850°C/30 s for insulating parts holding live parts in place.

650°C/30 s for the other insulating components.

■ 6.3 Electrical characteristics

Voltage: 110-240 V~

Power: 500 VA max 1x 

Standby consumption: 0.1 mA

Zigbee technology 2.4 GHz to 2.4835 GHz

Power level: < 100 mW

Range: 200 m of unobstructed space

10 m between products

■ 6.4 Climatic characteristics

Storage temperature: 0°C to + 45°C

Usage temperature: + 5°C to + 45°C

7. MAINTENANCE

Clean the surface with a cloth.

Do not use acetone, tar-removing cleaning agents or trichloroethylene.

Resistant to the following products: Hexane (EN 60669-1), methylated spirit, soapy water, diluted ammonia, bleach diluted to 10%, window-cleaning products, pre-impregnated wipes

Caution: Always test before using other special cleaning products.

The plates must not be painted.

8. STANDARDS AND APPROVALS

Compliant with installation and manufacturing standards.

See e-catalogue.

The undersigned, LEGRAND, declares that the radio-electric equipment type (7 521 90 - 7 522 90 - 7 523 90) complies with directive 2014/53/EU. The full text of the EU declaration of conformity is available on the following website: www.legrandoc.com