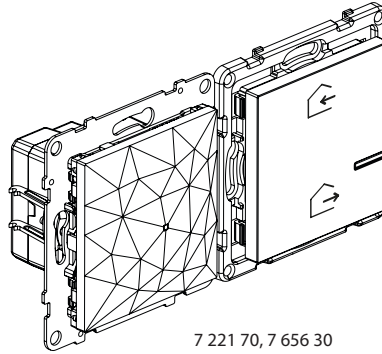


SUNO™ - SEANO™
Connected starter pack

Cat. No(s): 7 221 70 - 7 222 70 - 7 223 70 - 7 224 70
7 656 30 - 7 657 30 - 7 658 30 - 7 659 30



7 221 70, 7 656 30

1. USE

This pack enables you to create a connected installation in your home. It can be used to control lighting, roller shutters and electrical equipment plugged into connected sockets:

- using your smartphone and the Home + Control app
- using voice assistants
- from the general control at the entrance to your home

Comprises:

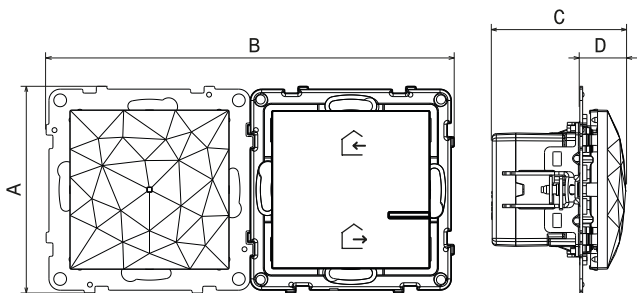
- Installation in 1-gang box 40 mm deep (minimum), instead of a standard socket outlet. Claw and/or screw fixing.

- A wireless general control, used to control leaving home/coming home scenes involving lights, roller shutters and connected sockets.- Fixes directly on the wall or screws onto a flush-mounting box. Multi-gang versions can be combined with other wiring accessories.- Fits on a piece of furniture (movable).

2. RANGE

Description:	Family	White	Ivory	Aluminum	Black	Dark Grey
Connected strater pack wireless master switch home/ away gateway	SUNO	7 221 70	7 222 70	7 223 70	7 224 70	-
	SEANO	7 656 30	-	7 657 30	7 658 30	7 659 30

3. DIMENSIONS (mm)

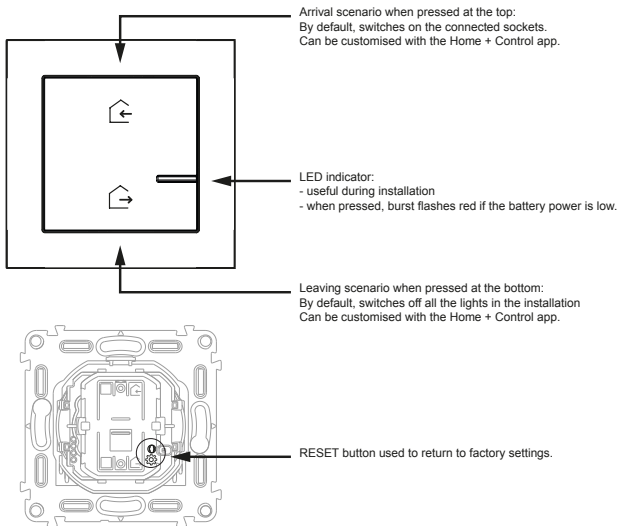
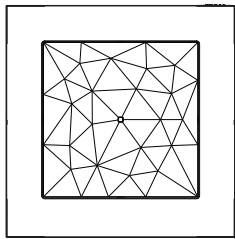


References	A	B	C	D
722X70, 765X30	72.9	143.9	47	11.75

4. CONNECTION

Control socket:
 Terminal type: screw
 Terminal capacity: 2 x 2.5 mm²
 Stripping length: 9 mm

5. OPERATION



**The starter pack is pre-paired at the factory.
Never perform a factory RESET on the control socket
and the wireless general control at the same time, as
this may render them unusable.**

6. TECHNICAL CHARACTERISTICS

■ 6.1 Mechanical characteristics

Control socket:

Protection against impacts: IK 04

Protection against solid bodies and/or liquids:

IP 20 without cover plate and plate

IP 40 assembled product

General control:

Protection against impacts: IK 02

Protection against solid bodies and/or liquids:

IP 20 without rocker plate and plate

IP 40 for assembled product

■ 6.2 Material characteristics

Plate: ABS

Support: Grey PC RAL 7016 + metal

Colours: White RAL 9003

Ivory RAL 1013

Painted Aluminium, Black, Dark Grey

Support: metal

Mechanism casing: PC

Halogen-free

UV resistant

Self-extinguishing:

850° C / 30 s for insulating parts holding live parts in place.

650° C / 30 s for the other insulating components.

■ 6.3 Material characteristics of general control

Rocker: ABS

Support: Grey PC RAL 7016 + metal

Colours: White RAL 9003

Ivory RAL 1013

Painted Aluminium, Black, Dark Grey

Sub-plate: PC

Mechanism casing with grid: Fibreglass-reinforced (10 %) PC

Halogen-free

UV resistant

Self-extinguishing: 650° C / 30 s

■ 6.4 Electrical characteristics of gateway/diamond

Voltage: 110/230 V~

Frequency: 50/60 Hz

Standby consumption: 0.1 mA

WiFi technology 2.4 GHz (13 channels) - IEEE 802.11 b/g/n

ZigBee radio technology frequency: 2.4 GHz to 2.4835 GHz

Wireless mesh network, self-adaptive and secure (AES 128), conforming

to standard IEEE 802.15.4 (LR-WPAN)

Power level: < 100 mW

Range: 200 m of unobstructed space

10 m recommended between products indoors

■ 6.5 Electrical characteristics of general control

Powered by a CR2032 - 3 V lithium battery (supplied)

Battery life: 8 years for 10 activations a day

ZigBee radio technology frequency: 2.4 GHz to 2.4835 GHz

Wireless mesh network, self-adaptive and secure (AES 128), conforming

to standard IEEE 802.15.4 (LR-WPAN)

Power level: REC 70-03 < 20 dBm

■ 6.6 Climate characteristics

Storage temperature: 0° C to + 45° C

Usage temperature: + 5° C to + 45° C

7. MAINTENANCE

Clean the surface with a cloth. Do not use acetone, tar-removing cleaning agents or trichloroethylene. Resistant to the following products: Hexane, methylated spirit, soapy water, diluted ammonia, bleach diluted to 10%, window-cleaning products, pre-impregnated wipes. The plates must not be painted.

Caution: Always test before using other special cleaning products.

Do not paint the cover plate!



Take care to recycle the battery appropriately.

8. ACCESSORIES

0 648 71: Repositionable adhesive for wireless control (x 4 supplied)

8. STANDARDS AND APPROVALS

Compliant with installation and manufacturing standards.

See e-catalogue.

The undersigned, LEGRAND, declares that the radio-electric equipment

type (Cat. Nos 7 221 70 - 7 222 70 7 223 70 - 7 224 70 - 7 656 30 - 7 657

30 - 7 658 30 - 7 659 30) complies with directive 2014/53/EU.

The full text of the EU declaration of conformity is available on the fol-

lowing website: www.legrand.com/ecatalogue