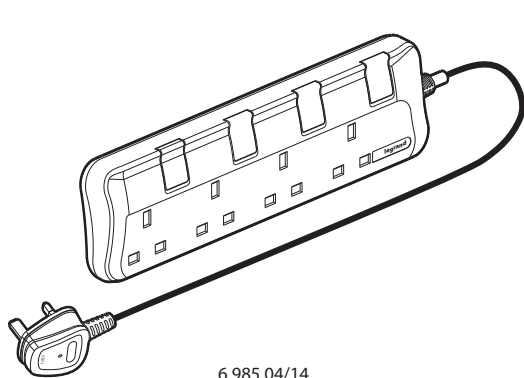
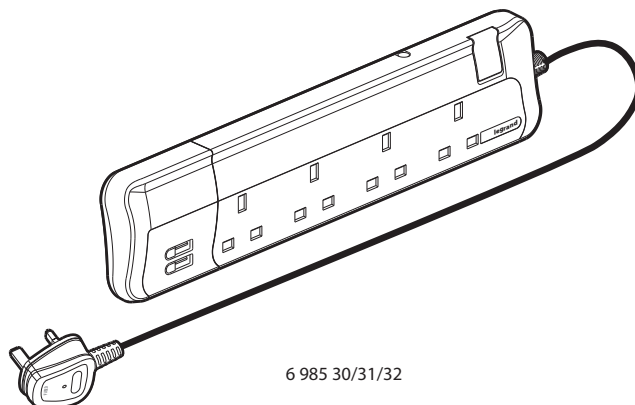


British Standard multi-outlet extension cord switched with fuse
With or without USB ports
With or without resettable circuit breaker

Cat. No(s): 6 985 04/05/14/15/20/21/24/25/26
6 985 30/31/32/34/35/36



6 985 04/14



6 985 30/31/32

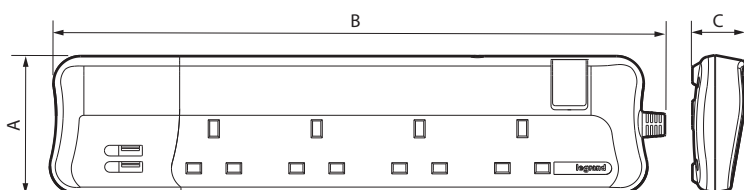
1. USE

Multi-outlet extensions: available with socket outlets with shutters and switches with indicator light, with 2 P+E plug.
 With 2 USB Type-A charging module (for Cat. Nos 6 985 20/21/30/31/32).
 With resettable circuit breaker (for Cat. Nos 6 985 24/25/26/30/31/32/34/35/36).
 Equipped with a cord 3 or 5 m (H05VVf 3 G 1.25 mm² ou 1.5 mm²).
 With overload fuse protection.
 Can be fixed with screws onto a wall, piece of furniture, work surface (vertical and horizontal positioning adjustment).

2. RANGE

MULTI-OUTLET EXTENSIONS ADAPTED FOR BRITISH STANDARD PLUGS SINGLE POLE	Cable length 3 m 3 G 1.25 mm ²		Cable length 5 m 3 G 1.25 mm ²
	White/Grey	Black	White/Grey
4 x 2P+E + 4 switches with indicator light + fuse + cable	6 985 04	-	6 985 14
5 x 2P+E + 5 switches with indicator light + fuse + cable	6 985 05	-	6 985 15
4 x 2P+E + 4 switches with indicator light + fuse + cable with 2 USB Type-A charging module - 2.4 A MAX.	6 985 20	-	6 985 21
MULTI-OUTLET EXTENSIONS ADAPTED FOR BRITISH STANDARD PLUGS DOUBLE POLE WITH RESETTABLE CIRCUIT BREAKER	Cable length 3 m 3 G 1.5 mm ²		Cable length 5 m 3 G 1.5 mm ²
	White/Grey	Black	White/Grey
4 x 2P+E + 1 switch with indicator light + fuse + cable	6 985 24	-	6 985 34
5 x 2P+E + 1 switch with indicator light + fuse + cable	6 985 25	-	6 985 35
6 x 2P+E + 1 switch with indicator light + fuse + cable	6 985 26	-	6 985 36
4 x 2P+E + 1 switch with indicator light + fuse + cable with 2 USB Type-A charging module - 2.4 A MAX.	6 985 30	6 985 32	6 985 31

3. DIMENSIONS (mm)



Cat. Nos	A	B	C
6 985 04/14/24/34	80	285	30
6 985 20/21 - 6 985 30/31/32	76	341	30
6 985 05/15/25/35	76	341	30
6 985 26/36	76	398	30

4. TECHNICAL CHARACTERISTICS

■ 4.1 Mechanical characteristics

Protection against mechanical impact: IK 04
Protection against solid bodies and liquids: IP 20

■ 4.2 Material characteristics

Switch: PP
End cap: PVC
Shutters: PA 6.6 + fiberglass
Matt white RAL 9003/Grey light RAL 7047
Matt black RAL 9004

Halogen-free
UV-resistant

Self extinguishing:
850°C/30 s for insulating components holding live parts in place.
650°C/30 s for other insulating components.

■ 4.3 Electrical characteristics

2 P+E socket outlets:

Voltage: 230 V~
Frequency: 50 Hz
Current: 13 A
Power: 3250 W MAX.

Integrated fuse:

Current: 13 A

Resettable circuit breaker:

Current: 13 A
Voltage: 230 V~

USB:

2 USB Type-A port
2.4 A MAX.
5.0 V=
12,0.W MAX
Average active efficiency: 81 %
Electricity consumption when not charging: 0.07 W

■ 4.4 Climate characteristics

Usage temperature: - 5°C to + 35°C
Storage temperature: - 20°C to + 70°C

5. CLEANING

Surface cleaning with a cloth.
Do not use: acetone, tar remover, trichlorethylene.

Caution: Always test before using other special cleaning products.

6. STANDARDS AND APPROVALS

Compliant with installation and manufacturing standards.
See e. catalogue.