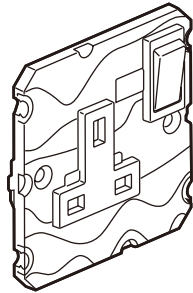
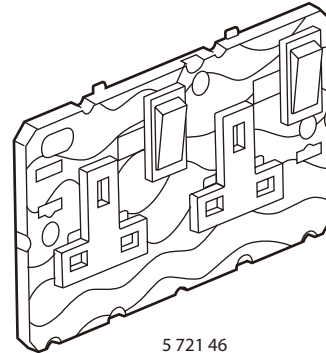


## Arteor™ Switched socket outlets 13 A

Cat. No(s): 5 700 48/49 - 5 710 48/49  
 5 721 41/43/44/45/46/47/49 - 5 726 43/44/45/46/47/49



5 721 43



5 721 46

### 1. USE

British standard single and double pole socket outlets, switched and shuttered.

Mechanisms supplied with rocker plates, to be equipped with special plates.

Fixing with screws.

### 2. RANGE

#### Single pole socket outlets - 2 P+E switched - 1-gang

5 721 43	White
5 726 43	Magnesium
5 700 48	Champagne
5 710 48	Alu

#### Single pole socket outlets - 2 P+E switched + neon - 1-gang

5 721 44	White
5 726 44	Magnesium

#### Single pole socket outlets - 2 P+E switched - 2-gang

5 721 45	White
5 726 45	Magnesium
5 700 49	Champagne
5 710 49	Alu

#### Single pole socket outlets - 2 P+E switched + neon - 2-gang

5 721 46	White
5 726 46	Magnesium

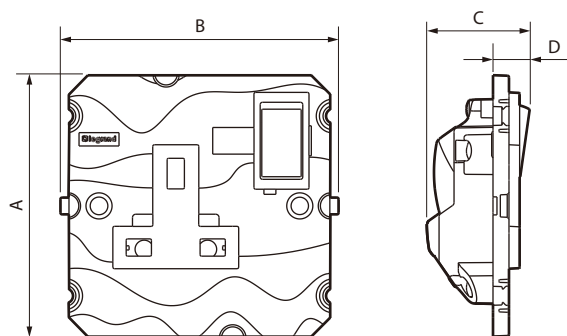
#### Double pole socket outlets - 2 P+E switched - 1-gang

5 721 47	White
5 726 47	Magnesium

#### Double pole socket outlets - 2 P+E switched - 2-gang

5 721 49	White
5 726 49	Magnesium
5 721 41	White(with Red Rocker)

### 3. OVERALL DIMENSIONS (mm)



	A	B	C	D
Single-pole	78.5	83.5	31	11
Double-pole	83.5	143.5	31	11

### 4. CONNECTION

Type of terminals : with screws

Terminal capacity: 3 x 4 mm<sup>2</sup>

Stripping length: 12 mm

Compatible with flexible or rigid cables.

### 5. TECHNICAL CHARACTERISTICS

#### ■ 5.1 Mechanical characteristics

Impact tests: IK 04

Penetration by solid bodies/liquids: IP 20

#### ■ 5.2 Material characteristics

Base: PP

Halogen-free

Self-extinguishing:

850°C/30 s for insulating components holding live parts in place.

650°C/30 s for other insulating components.

#### ■ 5.3 Electrical characteristics

Voltage: 250 V~

Current: 13 A

Frequency: 50/60 Hz

#### ■ 5.4 Climate characteristics

Storage temperature: - 10°C to + 70°C

Usage temperature: - 5°C to + 50°C

## 6. CARE

Clean the surface with a cloth.

Do not use acetone, tar-removing cleaning agents or trichloroethylene.

Resistant to the following products: Hexane (EN 60669-1), methylated spirit, soapy water, diluted ammonia, bleach diluted to 10%, window-cleaning products, pre-impregnated wipes.

**Caution:** Always test before using special cleaning products.

## 7. STANDARDS AND APPROVALS

Compliant with installation and manufacturing standards.

See e-catalogue.