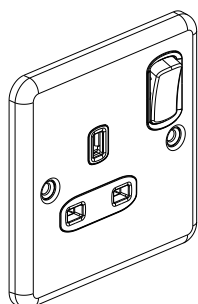
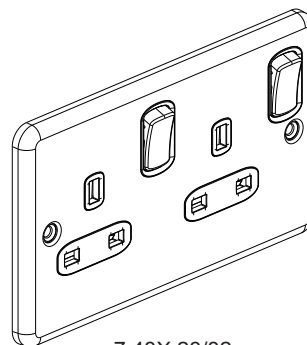


13A Switched Sockets

Cat. No(s): 7 482 20/23/81/82
7 484 20/23/81/82
7 486 20/23/81/82



7 48X 20/81



7 48X 23/82

1. USE

Single pole and double pole socket outlets switched, complete delivered, with compact mechanisms for maximum wiring space and slim front plates. (For Flush mounting, back box to be min. 35 mm deep. Supplied with M3.5 screws for BS boxes.)

2. RANGE

Switched Socket single pole 1G 13A

7 482 20	● Satin Brass
7 484 20	● Brushed stainless steel
7 486 20	● Polished stainless steel

Switched Socket single pole 2G 13A

7 482 23	● Satin Brass
7 484 23	● Brushed stainless steel
7 486 23	● Polished stainless steel

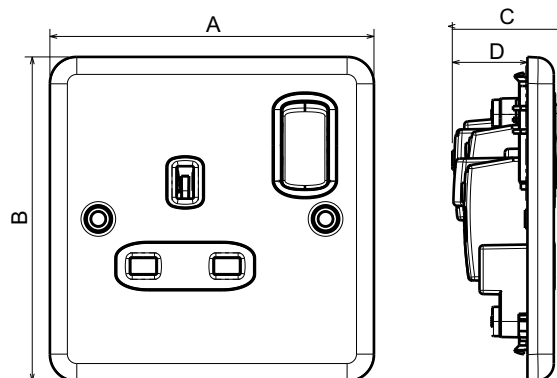
Switched Socket double pole 1G 13A

7 482 81	● Satin Brass
7 484 81	● Brushed stainless steel
7 486 81	● Polished stainless steel

Switched Socket double pole 2G 13A

7 482 82	● Satin Brass
7 484 82	● Brushed stainless steel
7 486 82	● Polished stainless steel

3. DIMENSIONS (mm)



References	A	B	C	D
7 482 20 - 7 484 20 - 7 486 20	86	86	30.5	19.9
7 482 23 - 7 484 23 - 7 486 23	146	86	29.9	19.3
7 482 81 - 7 484 81 - 7 486 81	86	86	31.2	20.7
7 482 82 - 7 484 82 - 7 486 82	146	86	29.9	19.3

4. CONNECTION

Types of terminals: with screws

Terminal capacity: 3 × 2.5 mm²
2 × 4 mm²
2 × 6 mm²

Recommended stripping length: 12 mm

Recommended screwdriver size: <4 mm flat blade

5. TECHNICAL CHARACTERISTICS

5.1 Material characteristics

Rocker and plate:

- BSS: austenitic Brushed Stainless Steel - non magnetic - grade 304 L

- PSS: Polished Stainless Steel + rust resistance

- SB: Stainless Steel + rust resistance

Mechanism housing: PC

Halogen free

UV resistant

Self-extinguishing:

+ 850° C / 30 s for insulating parts holding live parts in place.

+ 650° C / 30 s for other parts made of insulating materials

5.2 Electrical characteristics

Voltage: 250V~

Current: 13A

Frequency: 50/60Hz

13A Switched Sockets

5. TECHNICAL CHARACTERISTICS *(continued)*

5.3 Climatic characteristics

Storage temperatures: -10°C to +70°C
Operating temperatures: -5°C to +50°C

5.4 Mechanical characteristics

Impact test: IK01
Protection against solid & liquids: IP20

6. CLEANING

Surface cleaning with a soft, slightly damp cloth.
Do not use: acetone, tar remover, trichloroethylene

Caution: Always test before using other special cleaning products.

7. CONFORMITY - APPROVALS

Conform to BS1363-2.