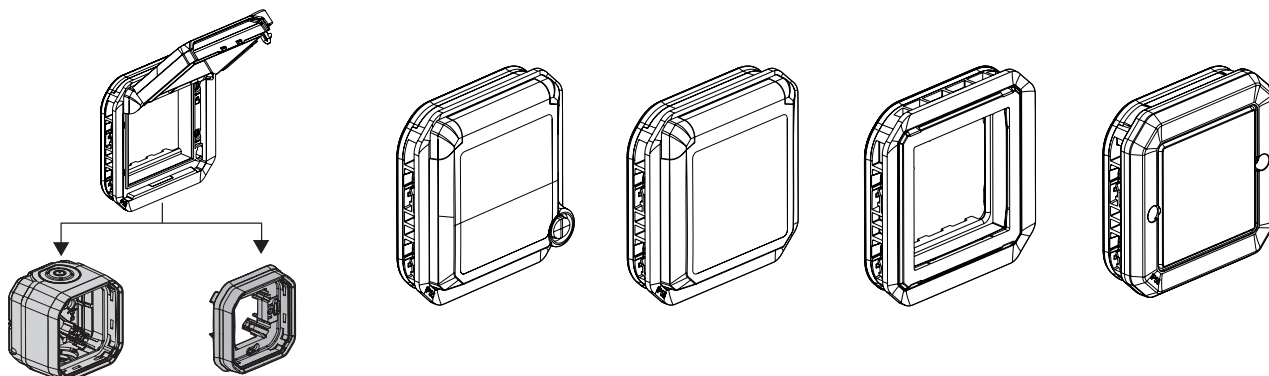


Plexo™ Adapters Plexo™ for Mosaic™ fonctions

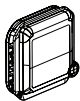
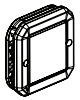

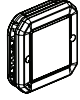
Cat. No(s): 0 695 79L/80L/82L/87L
0 696 95L
0 698 38L/45L/80L



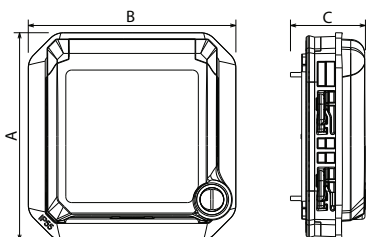
1. USE

Weatherproof wiring accessory system for residential and professional plant rooms (garages, cellars, car parks, industrial workshops and kitchens) as well as outdoor environments (terraces, gardens, camp sites, etc). Adapter for Mosaic™ function tow modules.

2. RANGE

		References	Designations
Configurable		0 695 79L 0 698 45L	Mosaic™ adapter lockable with clear flap
		0 695 80L 0 696 95L 0 698 38L 0 698 80L	Mosaic™ adapter with clear flap
		0 695 82L	Mosaic™ adapter without flap
		0 695 87L	Mosaic™ adapter with flexible membrane

3. OVERALL DIMENSIONS (mm)



3. OVERALL DIMENSIONS (mm) (continued)

	A	B	C
0 695 79L - 0 698 45L	70.5	70.5	25.45
0 695 80L - 0 696 95L 0 698 38L - 0 698 80L	70.5	70.5	25.35
0 695 82L	70.5	70.5	14
0 695 87L	70.5	70.5	20.12

4. TECHNICAL CHARACTERISTICS

■ 4.1 Protection index

Protection against solid bodies and liquids: IP 55
Expect Cat. No: 0 695 82L : IP 20
Protection against impact: IK 08

■ 4.2 Material characteristics

Support: PP reinforced
Front plate, flap: ABS
Membrane, cover plate: PP + SEBS

UV-resistant
Halogen-free
Resistance to salt spray: 7 days (168 h)

Self-extinguishing:
850°C/30 s for insulating components holding live parts in place.
650°C/30 s for other insulating components.

■ 4.3 Climate characteristics

Usage temperature: - 10° à + 40° C
Storage temperature: - 25° C à + 60° C

5. CLEANING

Surface cleaning with a cloth.
Do not use: acetone, tar remover, trichloroethylene.

Maintenance with the following products: Hexane (EN 60669-1), Methylated spirit, Soapy water, Diluted ammonia, Bleach diluted to 10%, Window-cleaning products, Pre-saturated wipes.

Caution: A preliminary test should be carried out if other specific cleaning products are to be used.

6. STANDARDS AND APPROVALS

Compliance with standards of installation and manufacturing.
Refer to e. catalogue.