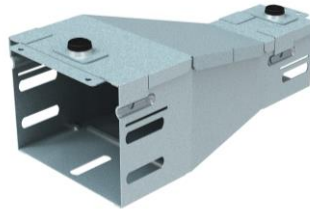


P31-CONCENTRIC REDUCER H75/50 + COVER

Reference(s): AHC../21Z/26Z/32Z
AHC../21C/26C/32C
AHC../21G/26G/32G



1. USE

Concentric Reducer in H75/50 with blind bottom.

2. RANGE BLIND

■ 2.1 CONCENTRIC REDUCER blind PG

Description	Code	Width max		Width min		Weight		Thickness		Coating	Section min.	
		(mm)	(inch)	(mm)	(inch)	(Kg)	(lb)	(mm)	(inch)		(mm ²)	(inch ²)
P31-CONCENTRIC REDUCER 75 / 50 PG	AHC21Z	81	3,19	54	2,13	3,98	8,77	0,7	0,03	PG	2500	3,88
P31-CONCENTRIC REDUCER 100 / 50 PG	AHC26Z	104	4,09	54	2,13	4,31	9,50	0,7	0,03	PG	2500	3,88
P31-CONCENTRIC REDUCER 150 / 50 PG	AHC32Z	154	6,06	54	2,13	5,04	11,11	0,7	0,03	PG	2500	3,88

■ 2.2 CONCENTRIC REDUCER blind HDG

Description	Code	Width max		Width min.		Weight		Thickness		Coating	Section min.	
		(mm)	(inch)	(mm)	(inch)	(Kg)	(lb)	(mm)	(inch)		(mm ²)	(inch ²)
P31-CONCENTRIC REDUCER 75 / 50 HDG	AHC21C	81	3,19	54	2,13	3,98	8,77	0,7	0,03	HDG	2500	3,88
P31-CONCENTRIC REDUCER 100 / 50 HDG	AHC26C	104	4,09	54	2,13	4,31	9,50	0,7	0,03	HDG	2500	3,88
P31-CONCENTRIC REDUCER 150 / 50 HDG	AHC32C	154	6,06	54	2,13	5,04	11,11	0,7	0,03	HDG	2500	3,88

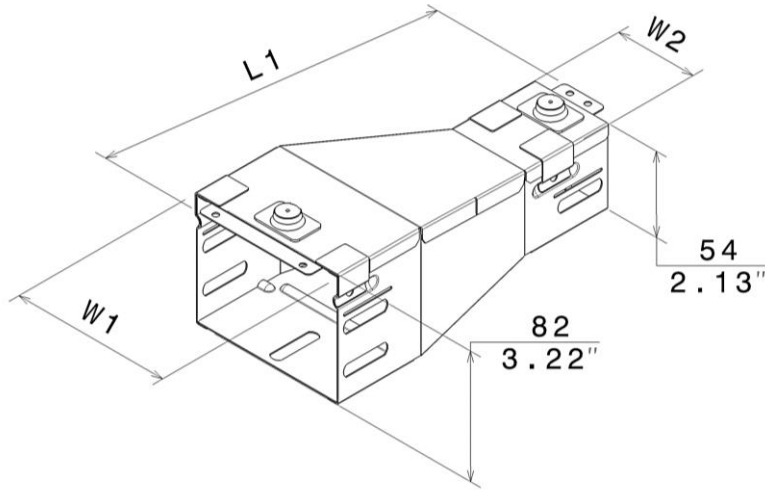
■ 2.3 CONCENTRIC REDUCER blind BLUE

Description	Code	Width max		Width min.		Weight		Thickness		Coating	Section min.	
		(mm)	(inch)	(mm)	(inch)	(Kg)	(lb)	(mm)	(inch)		(mm ²)	(inch ²)
P31-CONCENTRIC REDUCER 75 / 50 BLUE	AHC21G	81	3,19	54	2,13	3,98	8,77	0,7	0,03	BLUE	2500	3,88
P31-CONCENTRIC REDUCER 100 / 50 BLUE	AHC26G	104	4,09	54	2,13	4,31	9,50	0,7	0,03	BLUE	2500	3,88
P31-CONCENTRIC REDUCER 150 / 50 BLUE	AHC32G	154	6,06	54	2,13	5,04	11,11	0,7	0,03	BLUE	2500	3,88

3. DIMENSIONS (mm/inch)

■ **3.1 Fitting dimensions**

Description	Width 1		Width 2		L1	
	(mm)	(inch)	(mm)	(inch)	(mm)	(inch)
P31-CONCENTRIC REDUCER 075 / 50	81	3,19	54	2,13	240	9,45
P31-CONCENTRIC REDUCER 100 / 50	104	4,09	54	2,13	240	9,45
P31-CONCENTRIC REDUCER 150 / 50	154	6,06	54	2,13	240	9,45



4. INSTALLATION

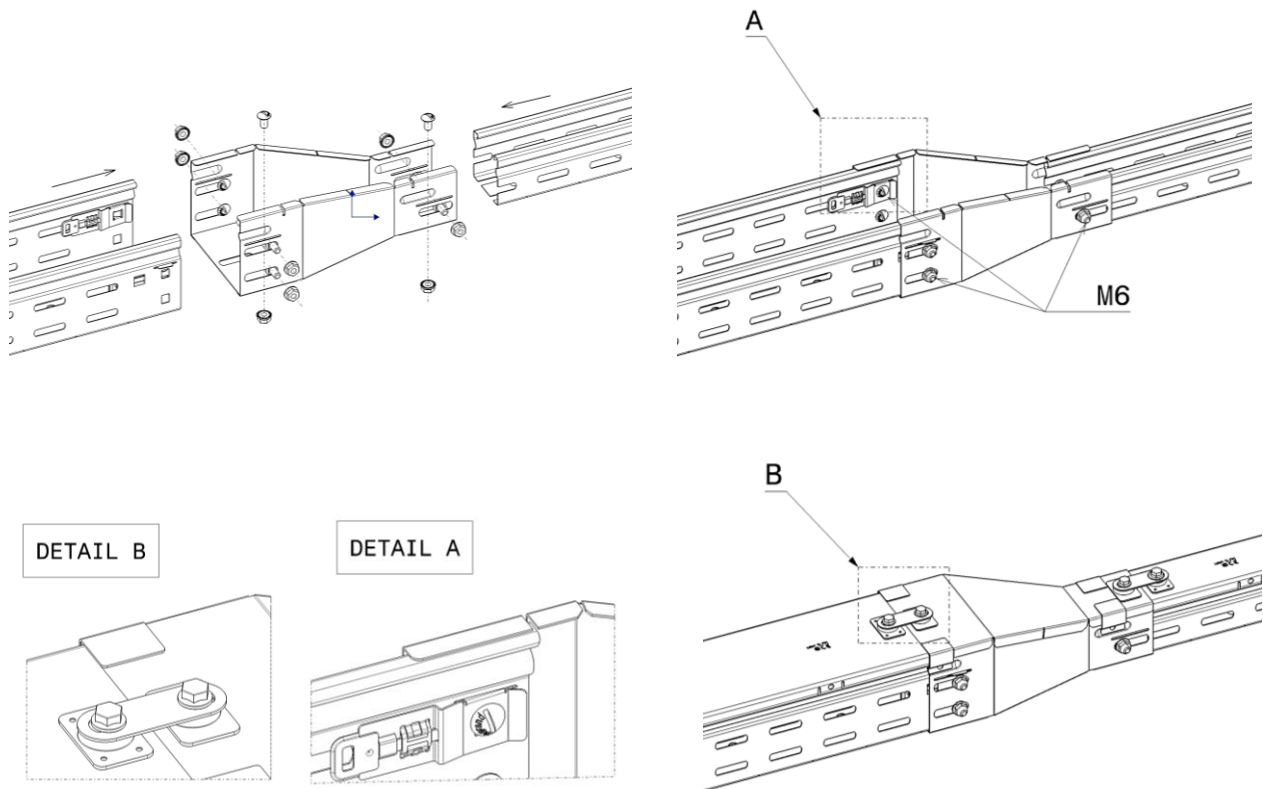
■ **4.1 Screw and tools**

Use screws M6x12 tightened at 11Nm

- Reference(s): 341895 / 03V1M610Z (PG)
 485035 (Zn-Ni)
 346895/ 03V1M610L (SS316L)
 341708 / 31X99X999 (PG)
 346474 / 31X99X99X (SS316L)

■ **4.2 Fitting to cable tray**

Concentric Reducer H75/50 are assembled using 8 screws M6x12 on the side and on the bottom.
 The screws in the middle is optional up to and included width 300mm.



5. TECHNICAL DATA

■ **5.1 Climatic characteristics**

Storage and operating temperature: - 20° C à + 120° C

■ **5.2 Material characteristics**

Material finish	Material	Standard	Resistance class against corrosion
PG	DX51D + Z200	EN 10346	Classe 3 - CEI 61537
BLUE	DX51D + Z200	EN 10346	Classe 3 - CEI 61537
HDG	DC 01	EN 10130	Classe 6 - CEI 61537
SS304	X5CrNi18-10	EN 10 088-2	Classe 9A - CEI 61537
SS316L	X2CrNiMo17-12-2	EN 10 088-2	Classe 9B - CEI 61537

6. CONFORMITY - CERTIFICATION

Comply with CEI 61537 Cable tray systems
 Certification: CE, IMQ