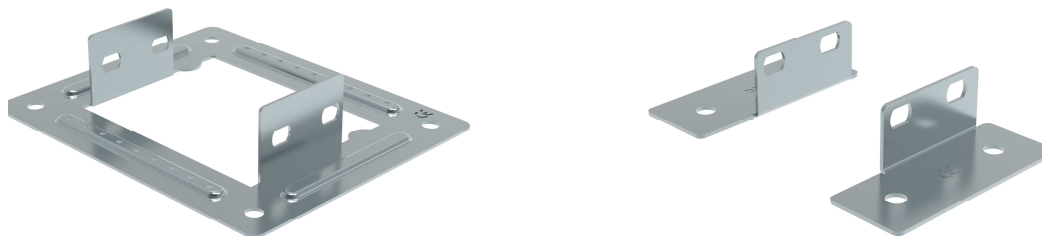


P31 – FLANGE CABINET H75

Reference(s): 31X9CL71../72../73../74../75../76..(Z,C,G,L)
3416../31/32/33/34/35/36
3436../31/32/33/34/35/36
3456../31/32/33/34/35/36; 346769



1. USE

Use flange to join cabinet with cable tray.

2. RANGE from W77 (3.03") to W300 (11.81")

■ 2.1 Flange cabinet H75 PG

Description	Code	Code Export	Cable tray width		Weight		Thickness		Coating
			(mm)	(inch)	(Kg)	(lb)	(mm)	(inch)	
P31-FLANGE CABINET 75X75 PG	31X9CL71Z	341631	77	3,03	0,14	0,30	1,15	0,05	PG
P31-FLANGE CABINET 75X100 PG	31X9CL72Z	341632	100	3,94	0,15	0,33	1,15	0,05	PG
P31-FLANGE CABINET 75X150 PG	31X9CL73Z	341633	150	5,91	0,18	0,39	1,15	0,05	PG
P31-FLANGE CABINET 75X200 PG	31X9CL74Z	341634	200	7,87	0,20	0,44	1,15	0,05	PG
P31-FLANGE CABINET 75X300 PG	31X9CL75Z	341635	300	11,81	0,25	0,55	1,15	0,05	PG

■ 2.2 Flange cabinet H75 HDG

Description	Code	Code Export	Cable tray width		Weight		Thickness		Coating
			(mm)	(inch)	(Kg)	(lb)	(mm)	(inch)	
P31-FLANGE CABINET 75X75 HDG	31X9CL71C	343631	77	3,03	0,15	0,33	1,15	0,05	HDG
P31-FLANGE CABINET 75X100 HDG	31X9CL72C	343632	100	3,94	0,17	0,36	1,15	0,05	HDG
P31-FLANGE CABINET 75X150 HDG	31X9CL73C	343633	150	5,91	0,19	0,42	1,15	0,05	HDG
P31-FLANGE CABINET 75X200 HDG	31X9CL74C	343634	200	7,87	0,22	0,49	1,15	0,05	HDG
P31-FLANGE CABINET 75X300 HDG	31X9CL75C	343635	300	11,81	0,28	0,61	1,15	0,05	HDG

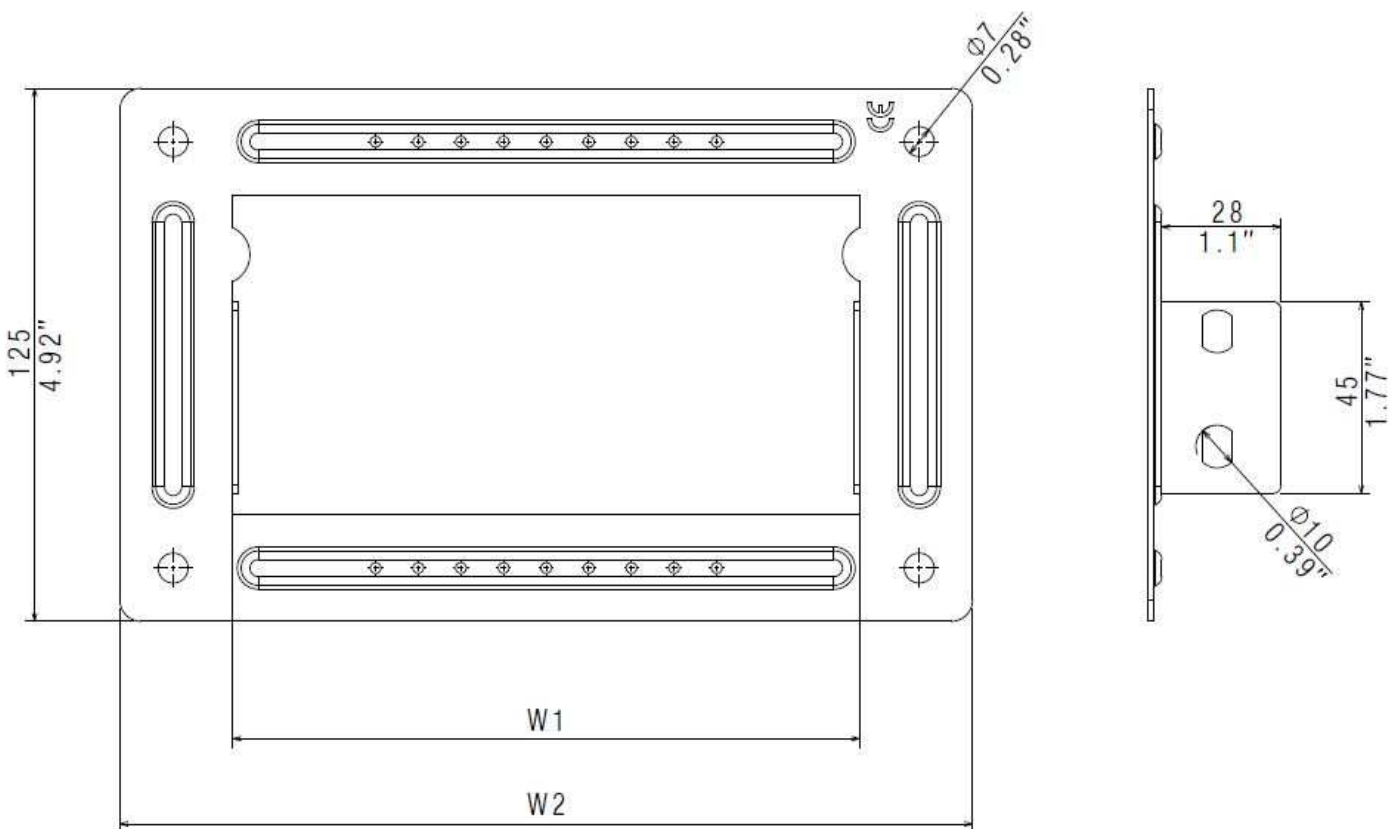
■ 2.3 Flange cabinet H75 BLUE

Description	Code	Code Export	Cable tray width		Weight		Thickness		Coating
			(mm)	(inch)	(Kg)	(lb)	(mm)	(inch)	
P31-FLANGE CABINET 75X75 BLUE	31X9CL71G	345631	77	3,03	0,14	0,30	1,15	0,05	BLUE
P31-FLANGE CABINET 75X100 BLUE	31X9CL72G	345632	100	3,94	0,15	0,33	1,15	0,05	BLUE
P31-FLANGE CABINET 75X150 BLUE	31X9CL73G	345633	150	5,91	0,18	0,39	1,15	0,05	BLUE
P31-FLANGE CABINET 75X200 BLUE	31X9CL74G	345634	200	7,87	0,20	0,44	1,15	0,05	BLUE
P31-FLANGE CABINET 75X300 BLUE	31X9CL75G	345635	300	11,81	0,25	0,55	1,15	0,05	BLUE

3. DIMENSIONS from W77 (3.03'') to W300 (11.81'')

■ 3.1 Dimensions of flange cabinet H75

Description	W1		W2	
	(mm)	(inch)	(mm)	(inch)
P31-FLANGE CABINET 75X75	74	2,91	127	5,00
P31-FLANGE CABINET 75X100	97	3,82	150	5,91
P31-FLANGE CABINET 75X150	147	5,79	200	7,87
P31-FLANGE CABINET 75X200	197	7,76	250	9,84
P31-FLANGE CABINET 75X300	297	11,69	300	11,81



4. RANGE from W400 (15.75") to W600 (23.62")

■ 4.1 Flange cabinet H75 PG from W400 (15.75") to W600mm (23.62")

Description	Code	Code Export	Cable tray width		Weight		Thickness		Coating
			(mm)	(inch)	(Kg)	(lb)	(mm)	(inch)	
P31-FLANGE CABINET 75X400/600 PG	31X9CL76Z	341636	400	15,75	0,18	0,39	1,40	0,06	PG
			500	19,69					
			600	23,62					

■ 4.2 Flange cabinet H75 HDG from W400 (15.75") to W600mm (23.62")

Description	Code	Code Export	Cable tray width		Weight		Thickness		Coating
			(mm)	(inch)	(Kg)	(lb)	(mm)	(inch)	
P31-FLANGE CABINET 75X400/600 HDG	31X9CL76C	343636	400	15,75	0,20	0,44	1,40	0,06	HDG
			500	19,69					
			600	23,62					

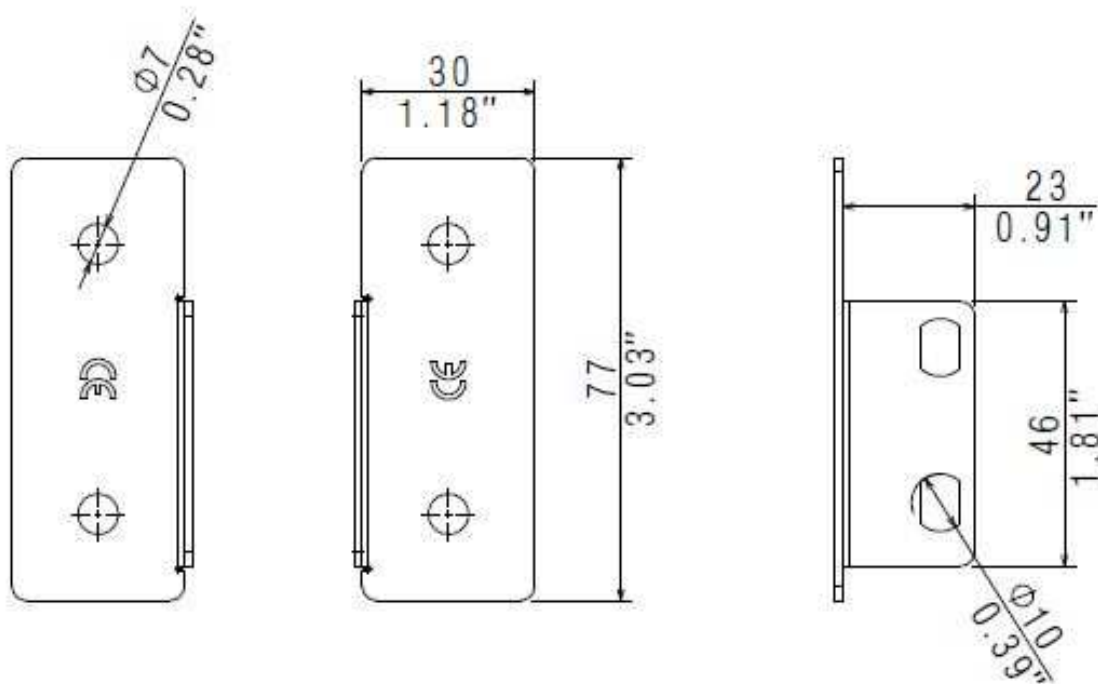
■ 4.3 Flange cabinet H75 BLUE from W400 (15.75") to W600mm (23.62")

Description	Code	Code Export	Cable tray width		Weight		Thickness		Coating
			(mm)	(inch)	(Kg)	(lb)	(mm)	(inch)	
P31-FLANGE CABINET 75X400/600 BLUE	31X9CL76G	345636	400	15,75	0,18	0,39	1,40	0,06	BLUE
			500	19,69					
			600	23,62					

■ 4.4 Flange cabinet H75 SS316L from W77 (3.03") to W600mm (23.62")

Description	Code	Code Export	Cable tray width		Weight		Thickness		Coating
			(mm)	(inch)	(Kg)	(lb)	(mm)	(inch)	
P31-FLANGE CABINET 75X75/600 SS316L	31X9CL76L	346769	77	3,03	0,17	0,37	1,2	0,05	SS316L
			100	3,94					
			150	5,91					
			200	7,87					
			300	11,81					
			400	15,75					
			500	19,69					
600	23,62								

5. DIMENSIONS from W400 (15.75") to W600 (23.62") (mm/inch)



6. INSTALLATION

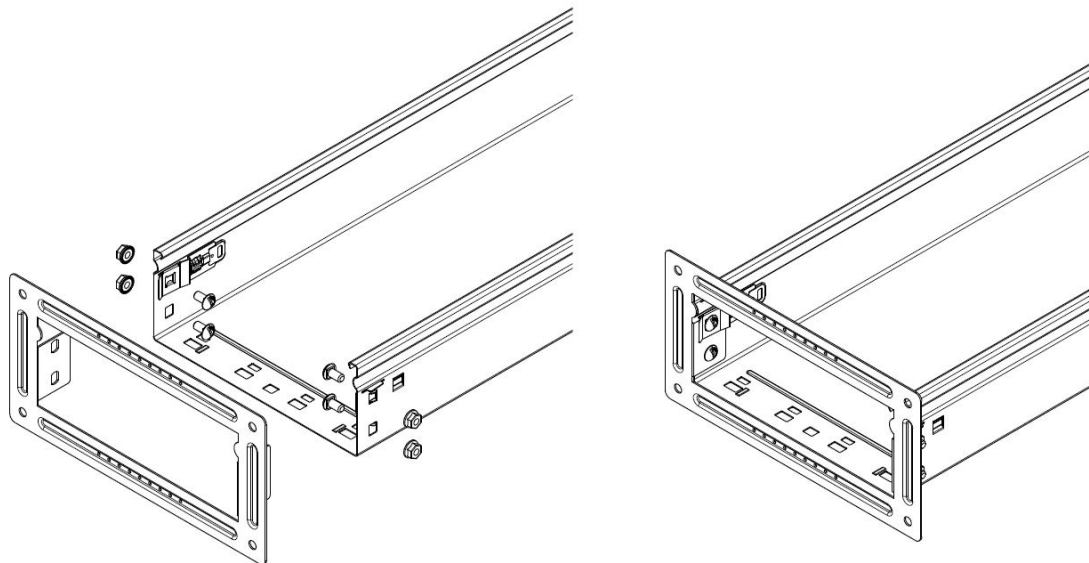
■ 6.1 Screw

Use screws M6x12 tightened at 11Nm

Reference(s): 341895/ 03V1M610Z (PG)
485035 (Zn-Ni)
346895/ 03V1M610L (SS316L)

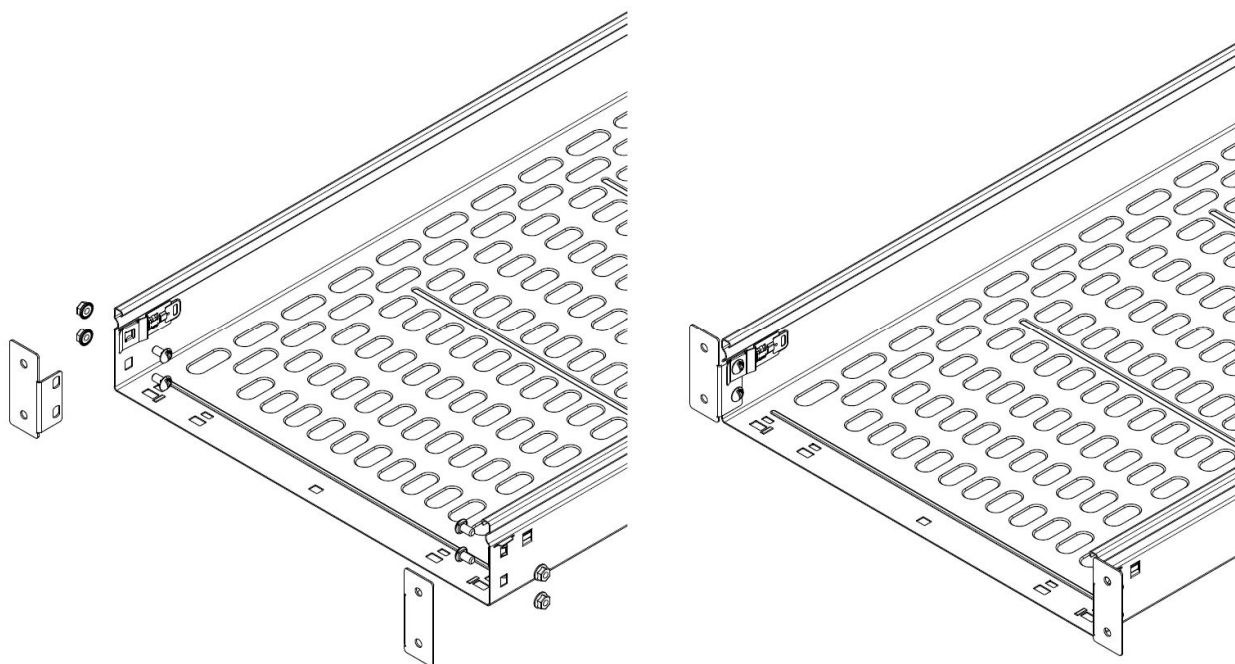
■ 6.2 Installation from W77 (3.03") to W300 (11.81")

Add the flange on the cable tray and fix it using 4 screws M6x12 on sides of the cable tray.
Is not necessary to disassembly the automatic coupler.



■ 6.3 Installation from W400 (15.75") to W600 (23.62")

Add the flange on the cable tray and fix it using 4 screws M6x12 on sides of the cable tray.
Is not necessary to disassembly the automatic coupler.



7. TECHNICAL DATA**■ 7.1 Climatic characteristics**

Storage and operating temperature: - 20° C à + 120° C

■ 7.2 Material characteristics

Material finish	Material	Standard	Resistance class against corrosion
PG	DX51D + Z200	EN 10346	Classe 3 - CEI 61537
BLUE	DX51D + Z200	EN 10346	Classe 3 - CEI 61537
HDG	DC 01	EN 10130	Classe 6 - CEI 61537
SS304	X5CrNi18-10	EN 10 088-2	Classe 9A - CEI 61537
SS316L	X2CrNiMo17-12-2	EN 10 088-2	Classe 9B - CEI 61537

8. CONFORMITY - CERTIFICATION

Comply with CEI 61537 Cable tray systems

Certification: CE, IMQ