

P31 – STRAIGHT DIVIDER H75

Reference(s): X9A73..(Z,G)
X9A71..(Z,C,G,X,L)



1. USE

Straight divider in height 75mm.

2. RANGE

■ 2.1 Streight divider H75 PG

Description	Code	Length		Weight		Thickness		Coating
		(mm)	(inch)	(Kg)	(lb)	(mm)	(inch)	
P31-STRAIGHT DIVIDER 2M H75MM PG	X9A73Z	2000	78,74	1,67	3,68	0,6	0,02	PG
P31-STRAIGHT DIVIDER 3M H75MM PG	X9A71Z	3000	118,11	1,12	2,46	0,6	0,02	PG

■ 2.2 Streight divider H75 HDG

Description	Code	Length		Weight		Thickness		Coating
		(mm)	(inch)	(Kg)	(lb)	(mm)	(inch)	
P31-STRAIGHT DIVIDER 3M H75MM HDG	X9A71C	3000	118,11	1,84	4,06	0,6	0,02	HDG

■ 2.3 Streight divider H75 BLUE

Description	Code	Length		Weight		Thickness		Coating
		(mm)	(inch)	(Kg)	(lb)	(mm)	(inch)	
P31-STRAIGHT DIVIDER 2M H75MM BLUE	X9A73G	2000	78,74	1,67	3,68	0,6	0,02	BLUE
P31-STRAIGHT DIVIDER 3M H75MM BLUE	X9A71G	3000	118,11	1,12	2,46	0,6	0,02	BLUE

■ 2.4 Streight divider H75 SS304

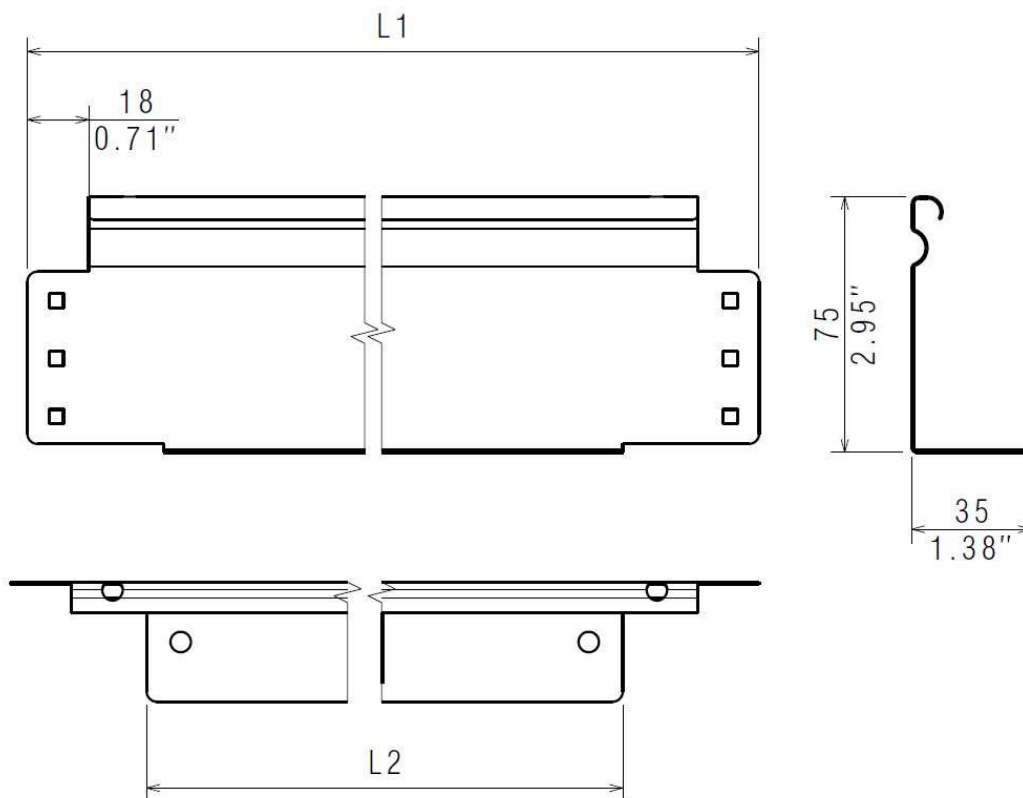
Description	Code	Length		Weight		Thickness		Coating
		(mm)	(inch)	(Kg)	(lb)	(mm)	(inch)	
P31-STRAIGHT DIVIDER 3M H75MM SS304	X9A71X	3000	118,11	1,67	3,68	0,6	0,02	SS304

■ 2.5 Streight divider H75 SS316L

Description	Code	Length		Weight		Thickness		Coating
		(mm)	(inch)	(Kg)	(lb)	(mm)	(inch)	
P31-STRAIGHT DIVIDER 3M H75MM SS316L	X9A71L	3000	118,11	1,67	3,68	0,6	0,02	SS316L

3. DIMENSIONS (mm/inch)

Description	L1		L2	
	(mm)	(inch)	(mm)	(inch)
P31-STRAIGHT DIVIDER 2M H75MM	2000	78,74	1920	75,59
P31-STRAIGHT DIVIDER 3M H75MM	3000	118,11	2920	114,96



4. INSTALLATION

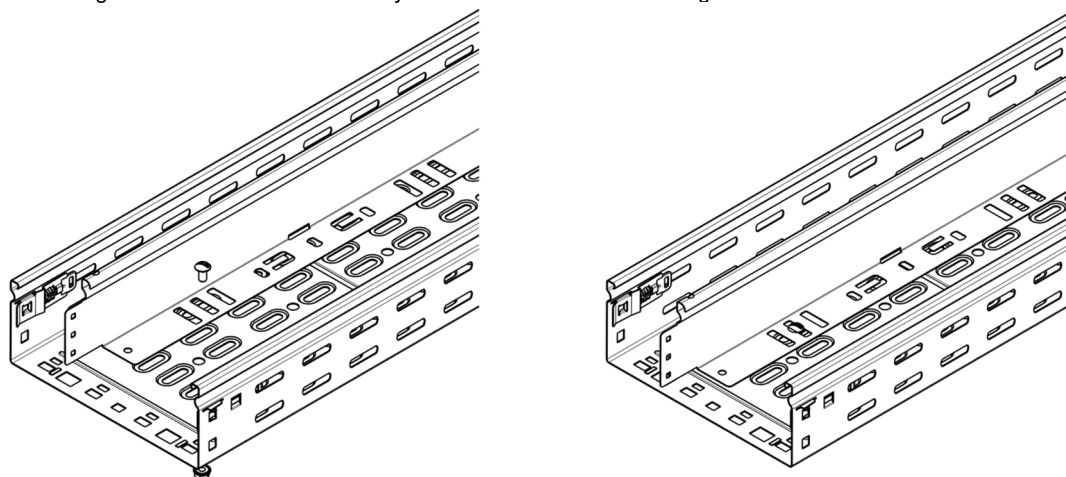
■ 4.1 Screw

Use screws M6x12 tightened at 11Nm

Reference(s): 341895/ 03V1M610Z (PG)
485035 (Zn-Ni)
346895/ 03V1M610L (SS316L)

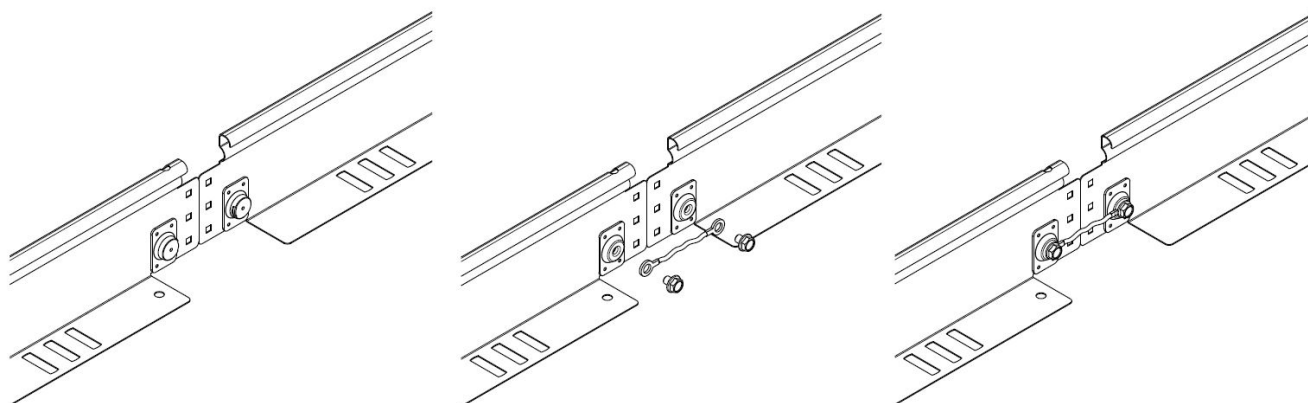
■ 4.2 Divider to cable tray

Mount the divider using min. 5 screws M6x12 evenly divided over the 2 or 3m length.



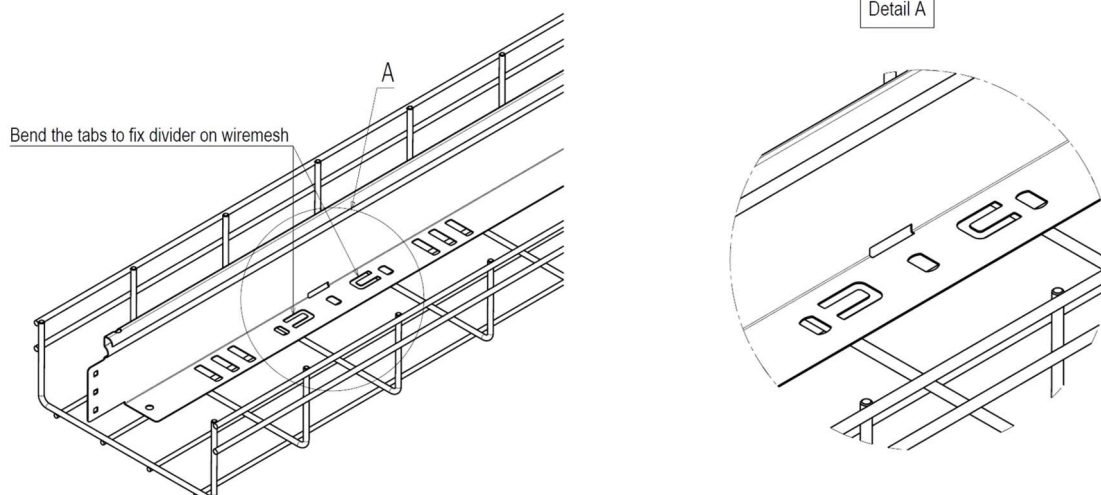
■ 4.3 Divider to divider when painted

On painted version is necessary to connect each dividers together using earth cable to guarantee electrical continuity.



■ 4.4 Divider to wiremesh

Mount the divider bending the tabs on the bottom.



5. TECHNICAL DATA■ **5.1 Climatic characteristics**

Storage and operating temperature: - 20° C à + 120° C

■ **5.2 Material characteristics**

Material finish	Material	Standard	Resistance class against corrosion
PG	DX51D + Z200	EN 10346	Classe 3 - CEI 61537
BLUE	DX51D + Z200	EN 10346	Classe 3 - CEI 61537
HDG	DC 01	EN 10130	Classe 6 - CEI 61537
SS304	X5CrNi18-10	EN 10 088-2	Classe 9A - CEI 61537
SS316L	X2CrNiMo17-12-2	EN 10 088-2	Classe 9B - CEI 61537

6. CONFORMITY - CERTIFICATION

Comply with CEI 61537 Cable tray systems

Certification: CE, IMQ