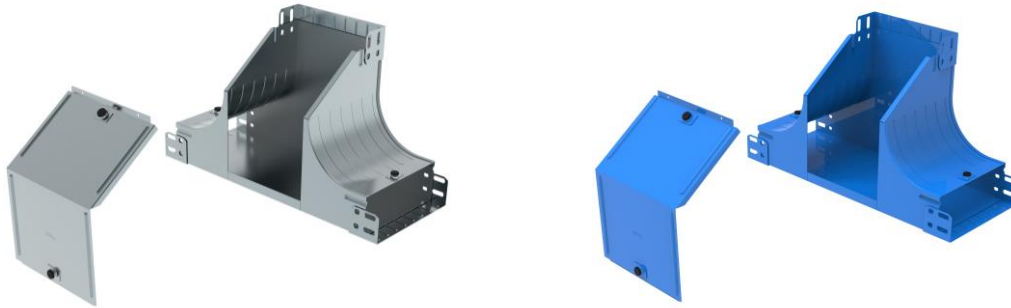


P31 - UPRIGHT RISING TEE PLANE VARIATION H75

Reference(s): AD075../AD100../AD150../AD200../AD300../
AD400../AD500../AD600../(Z,C,G)



1. USE

Upright rising tee plane variation in H75 with cover.

2. RANGE

■ 2.1 Upright rising tee plane variation PG

Description	Code	Width		Weight		Thickness		Coating	Section	
		(mm)	(inch)	(Kg)	(lb)	(mm)	(inch)		(mm ²)	(inch ²)
P31-UPRIGHT RISING TEE PV 75X75 PG	AD075Z	77	3,03	1,64	3,61	1,0	0,04	PG	5550	8,60
P31-UPRIGHT RISING TEE PV 75X100 PG	AD100Z	100	3,94	2,02	4,45	1,0	0,04	PG	7252	11,24
P31-UPRIGHT RISING TEE PV 75X150 PG	AD150Z	150	5,91	2,98	6,57	1,0	0,04	PG	10852	16,82
P31-UPRIGHT RISING TEE PV 75X200 PG	AD200Z	200	7,87	3,85	8,50	1,0	0,04	PG	14652	22,71
P31-UPRIGHT RISING TEE PV 75X300 PG	AD300Z	300	11,81	6,00	13,22	1,0	0,04	PG	22052	34,18
P31-UPRIGHT RISING TEE PV 75X400 PG	AD400Z	400	15,75	9,83	21,68	1,0	0,04	PG	29452	45,65
P31-UPRIGHT RISING TEE PV 75X500 PG	AD500Z	500	19,69	13,37	29,47	1,0	0,04	PG	36852	57,12
P31-UPRIGHT RISING TEE PV 75X600 PG	AD600Z	600	23,62	16,69	36,80	1,0	0,04	PG	44252	68,59

■ 2.2 Upright rising tee plane variation HDG

Description	Code	Width		Weight		Thickness		Coating	Section	
		(mm)	(inch)	(Kg)	(lb)	(mm)	(inch)		(mm ²)	(inch ²)
P31-UPRIGHT RISING TEE PV 75X75 HDG	AD075C	77	3,03	1,78	3,92	1,0	0,04	HDG	5550	8,60
P31-UPRIGHT RISING TEE PV 75X100 HDG	AD100C	100	3,94	2,20	4,84	1,0	0,04	HDG	7252	11,24
P31-UPRIGHT RISING TEE PV 75X150 HDG	AD150C	150	5,91	3,25	7,16	1,0	0,04	HDG	10852	16,82
P31-UPRIGHT RISING TEE PV 75X200 HDG	AD200C	200	7,87	4,20	9,25	1,0	0,04	HDG	14652	22,71
P31-UPRIGHT RISING TEE PV 75X300 HDG	AD300C	300	11,81	6,54	14,42	1,0	0,04	HDG	22052	34,18
P31-UPRIGHT RISING TEE PV 75X400 HDG	AD400C	400	15,75	10,75	23,69	1,0	0,04	HDG	29452	45,65
P31-UPRIGHT RISING TEE PV 75X500 HDG	AD500C	500	19,69	14,62	32,23	1,0	0,04	HDG	36852	57,12
P31-UPRIGHT RISING TEE PV 75X600 HDG	AD600C	600	23,62	18,26	40,26	1,0	0,04	HDG	44252	68,59

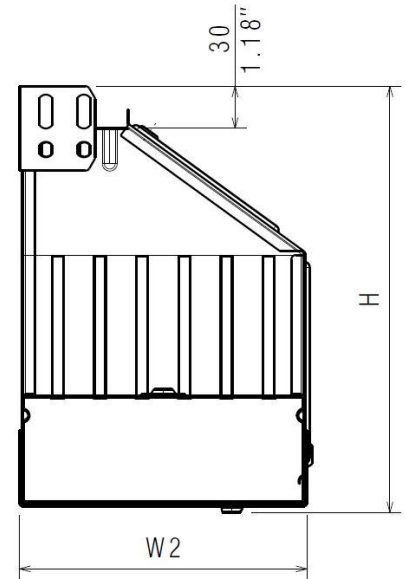
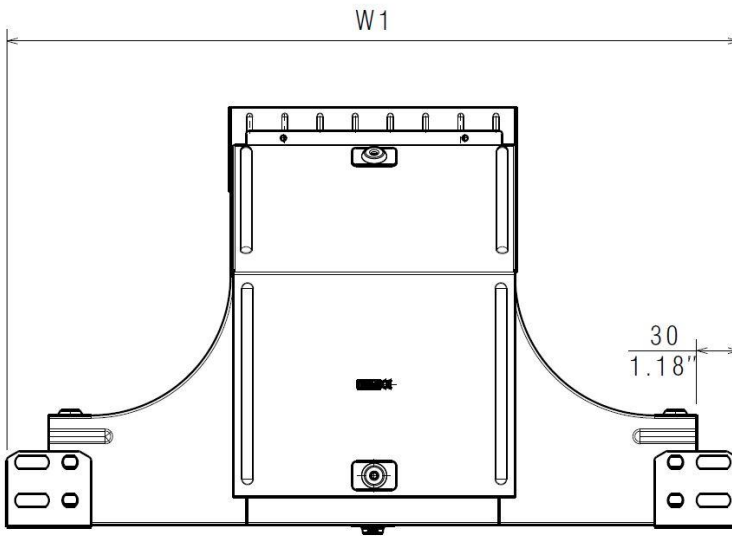
■ 2.3 Upright rising tee plane variation BLUE

Description	Code	Width		Weight		Thickness		Coating	Section	
		(mm)	(inch)	(Kg)	(lb)	(mm)	(inch)		(mm ²)	(inch ²)
P31-UPRIGHT RISING TEE PV 75X75 BLUE	AD075G	77	3,03	1,64	3,61	1,0	0,04	BLUE	5550	8,60
P31-UPRIGHT RISING TEE PV 75X100 BLUE	AD100G	100	3,94	2,02	4,45	1,0	0,04	BLUE	7252	11,24
P31-UPRIGHT RISING TEE PV 75X150 BLUE	AD150G	150	5,91	2,98	6,57	1,0	0,04	BLUE	10852	16,82
P31-UPRIGHT RISING TEE PV 75X200 BLUE	AD200G	200	7,87	3,85	8,50	1,0	0,04	BLUE	14652	22,71
P31-UPRIGHT RISING TEE PV 75X300 BLUE	AD300G	300	11,81	6,00	13,22	1,0	0,04	BLUE	22052	34,18
P31-UPRIGHT RISING TEE PV 75X400 BLUE	AD400G	400	15,75	9,83	21,68	1,0	0,04	BLUE	29452	45,65
P31-UPRIGHT RISING TEE PV 75X500 BLUE	AD500G	500	19,69	13,37	29,47	1,0	0,04	BLUE	36852	57,12
P31-UPRIGHT RISING TEE PV 75X600 BLUE	AD600G	600	23,62	16,69	36,80	1,0	0,04	BLUE	44252	68,59

3. DIMENSIONS

■ 3.1 Upright rising tee plane variation

Description	Width 1 (W1)		Width 2 (W2)		Height (H)	
	(mm)	(inch)	(mm)	(inch)	(mm)	(inch)
P31-UPRIGHT RISING TEE PV 75X75	397	15,63	83	3,27	243	9,57
P31-UPRIGHT RISING TEE PV 75X100	420	16,54	106	4,17	273	10,75
P31-UPRIGHT RISING TEE PV 75X150	470	18,50	156	6,14	303	11,93
P31-UPRIGHT RISING TEE PV 75X200	520	20,47	206	8,11	303	11,93
P31-UPRIGHT RISING TEE PV 75X300	620	24,41	306	12,05	363	14,29
P31-UPRIGHT RISING TEE PV 75X400	860	33,86	406	15,98	413	16,26
P31-UPRIGHT RISING TEE PV 75X500	960	37,80	506	19,92	463	18,23
P31-UPRIGHT RISING TEE PV 75X600	1060	41,73	606	23,86	463	18,23



4. INSTALLATION

■ 4.1 Screw and tools

Use screws M6x12 tightened at 11Nm

Reference(s): 341895 / 03V1M610Z (PG)

485035 (Zn-Ni)

346895/ 03V1M610L (SS316L)

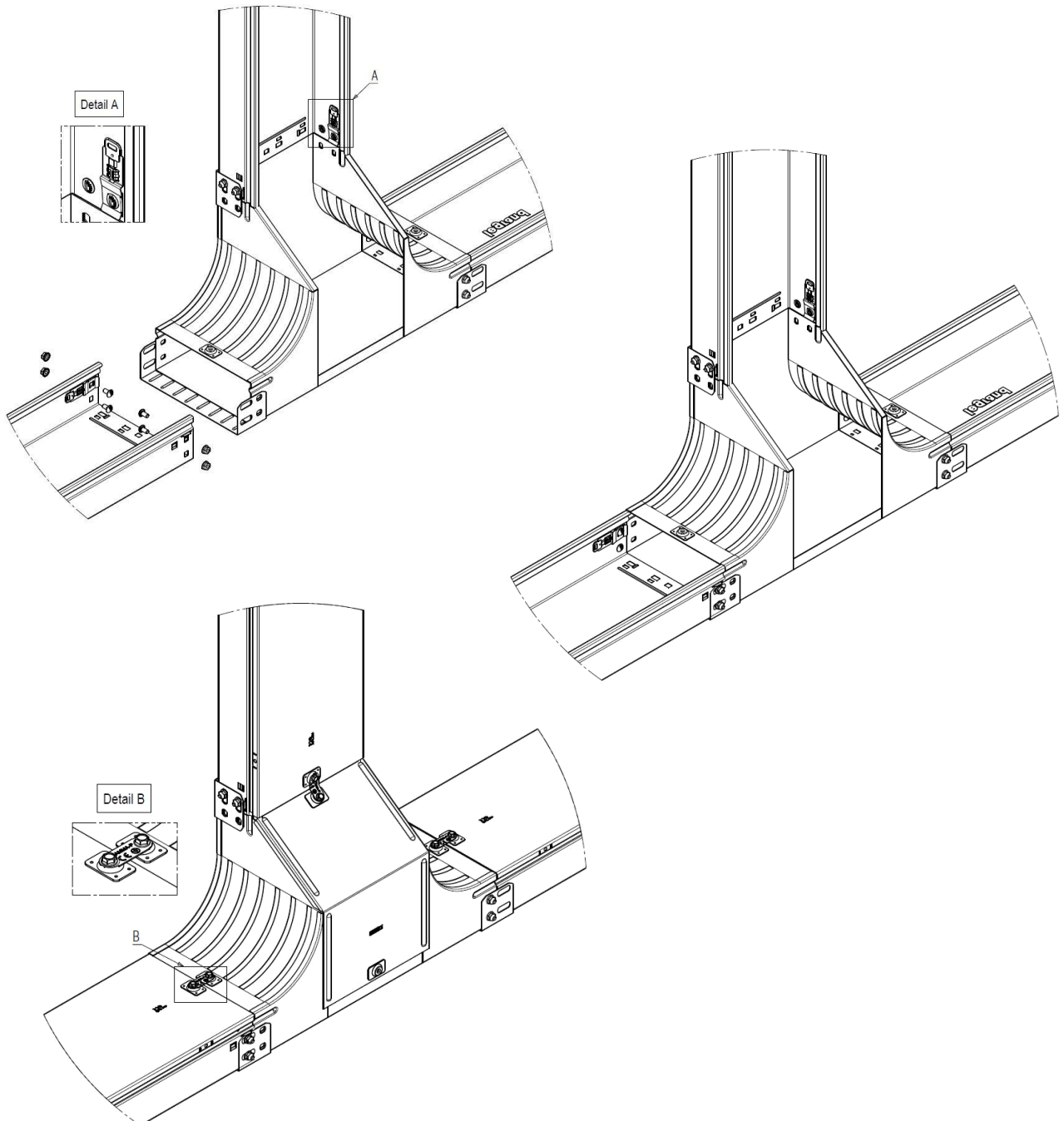
341708 / 31X99X999 (PG)

346474 / 31X99X99X (SS316L)

■ 4.2 Fitting to cable tray

Upright rising tee plane variation in height 75 are assembled using 12 screws M6x12 on the sides.

Join all covers by earth connection using copper plate or cable to guarantee electrical continuity.



5. TECHNICAL DATA

■ 5.1 Climatic characteristics

Storage and operating temperature: - 20° C à + 120° C

■ 5.2 Material characteristics

Material finish	Material	Standard	Resistance class against corrosion
PG	DX51D + Z200	EN 10346	Classe 3 - CEI 61537
BLUE	DX51D + Z200	EN 10346	Classe 3 - CEI 61537
HDG	DC 01	EN 10130	Classe 6 - CEI 61537
SS304	X5CrNi18-10	EN 10 088-2	Classe 9A - CEI 61537
SS316L	X2CrNiMo17-12-2	EN 10 088-2	Classe 9B - CEI 61537

6. CONFORMITY - CERTIFICATION

Comply with CEI 61537 Cable tray systems

Certification: CE, IMQ