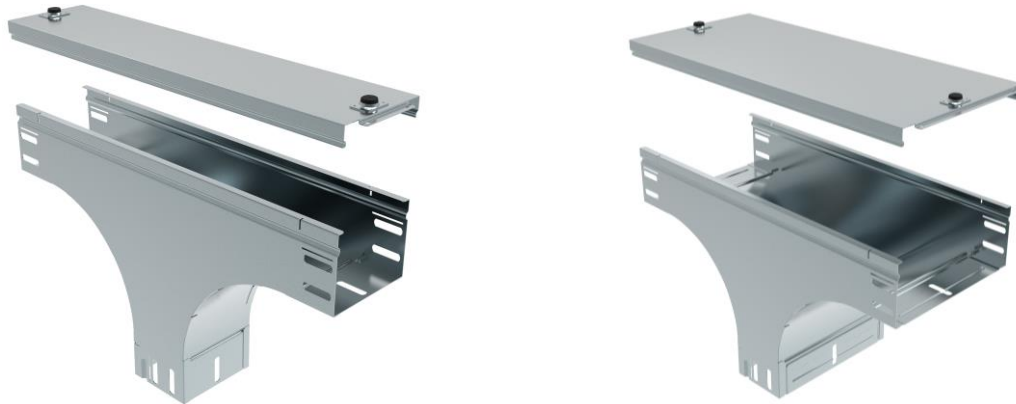


P31-UP FALL TEE H75 + COVER

Reference(s): AW../075Z/100Z/150Z/200Z/300Z/400Z/500Z/600Z
AW../075C/100C/150C/200C/300C/400C/500C/600C
AW../075G/100G/150G/200G/300G/400G/500G/600G
AW../075L/100L/150L/200L/300L/400L/500L/600L



1. USE

Up fall tee in H75 with cover.

2. RANGE

■ 2.1 Up fall tee H75 + cover PG

| Description | Code | Width | | Weight | | Thickness | | Coating | Section | |
|---------------------------|--------|-------|--------|--------|-------|-----------|--------|---------|--------------------|----------------------|
| | | (mm) | (inch) | (Kg) | (lb) | (mm) | (inch) | | (mm ²) | (inch ²) |
| P31-UP FALL TEE 75X75 PG | AW075Z | 77 | 3,03 | 1,35 | 2,98 | 0,7 | 0,03 | PG | 6107 | 9,47 |
| P31-UP FALL TEE 75X100 PG | AW100Z | 100 | 3,94 | 1,50 | 3,30 | 0,7 | 0,03 | PG | 7908 | 12,26 |
| P31-UP FALL TEE 75X150 PG | AW150Z | 150 | 5,91 | 1,81 | 3,99 | 0,7 | 0,03 | PG | 11823 | 18,33 |
| P31-UP FALL TEE 75X200 PG | AW200Z | 200 | 7,87 | 2,13 | 4,70 | 0,7 | 0,03 | PG | 15738 | 24,39 |
| P31-UP FALL TEE 75X300 PG | AW300Z | 300 | 11,81 | 2,77 | 6,11 | 0,7 | 0,03 | PG | 23568 | 36,53 |
| P31-UP FALL TEE 75X400 PG | AW400Z | 400 | 15,75 | 3,38 | 7,45 | 0,7 | 0,03 | PG | 31398 | 48,67 |
| P31-UP FALL TEE 75X500 PG | AW500Z | 500 | 19,69 | 4,00 | 8,82 | 0,7 | 0,03 | PG | 39228 | 60,80 |
| P31-UP FALL TEE 75X600 PG | AW600Z | 600 | 23,62 | 4,69 | 10,34 | 0,7 | 0,03 | PG | 47058 | 72,94 |

■ 2.2 Up fall tee H75 + cover HDG

| Description | Code | Width | | Weight | | Thickness | | Coating | Section | |
|----------------------------|--------|-------|--------|--------|-------|-----------|--------|---------|--------------------|----------------------|
| | | (mm) | (inch) | (Kg) | (lb) | (mm) | (inch) | | (mm ²) | (inch ²) |
| P31-UP FALL TEE 75X75 HDG | AW075C | 77 | 3,03 | 1,49 | 3,28 | 0,7 | 0,03 | HDG | 6107 | 9,47 |
| P31-UP FALL TEE 75X100 HDG | AW100C | 100 | 3,94 | 1,65 | 3,63 | 0,7 | 0,03 | HDG | 7908 | 12,26 |
| P31-UP FALL TEE 75X150 HDG | AW150C | 150 | 5,91 | 1,99 | 4,39 | 0,7 | 0,03 | HDG | 11823 | 18,33 |
| P31-UP FALL TEE 75X200 HDG | AW200C | 200 | 7,87 | 2,34 | 5,17 | 0,7 | 0,03 | HDG | 15738 | 24,39 |
| P31-UP FALL TEE 75X300 HDG | AW300C | 300 | 11,81 | 3,05 | 6,72 | 0,7 | 0,03 | HDG | 23568 | 36,53 |
| P31-UP FALL TEE 75X400 HDG | AW400C | 400 | 15,75 | 3,72 | 8,20 | 0,7 | 0,03 | HDG | 31398 | 48,67 |
| P31-UP FALL TEE 75X500 HDG | AW500C | 500 | 19,69 | 4,40 | 9,70 | 0,7 | 0,03 | HDG | 39228 | 60,80 |
| P31-UP FALL TEE 75X600 HDG | AW600C | 600 | 23,62 | 5,16 | 11,38 | 0,7 | 0,03 | HDG | 47058 | 72,94 |

■ 2.3 Up fall tee H75 + cover BLUE

| Description | Code | Width | | Weight | | Thickness | | Coating | Section | |
|-----------------------------|--------|-------|--------|--------|-------|-----------|--------|---------|--------------------|----------------------|
| | | (mm) | (inch) | (Kg) | (lb) | (mm) | (inch) | | (mm ²) | (inch ²) |
| P31-UP FALL TEE 75X75 BLUE | AW075G | 77 | 3,03 | 1,35 | 2,98 | 0,7 | 0,03 | BLUE | 6107 | 9,47 |
| P31-UP FALL TEE 75X100 BLUE | AW100G | 100 | 3,94 | 1,50 | 3,30 | 0,7 | 0,03 | BLUE | 7908 | 12,26 |
| P31-UP FALL TEE 75X150 BLUE | AW150G | 150 | 5,91 | 1,81 | 3,99 | 0,7 | 0,03 | BLUE | 11823 | 18,33 |
| P31-UP FALL TEE 75X200 BLUE | AW200G | 200 | 7,87 | 2,13 | 4,70 | 0,7 | 0,03 | BLUE | 15738 | 24,39 |
| P31-UP FALL TEE 75X300 BLUE | AW300G | 300 | 11,81 | 2,77 | 6,11 | 0,7 | 0,03 | BLUE | 23568 | 36,53 |
| P31-UP FALL TEE 75X400 BLUE | AW400G | 400 | 15,75 | 3,38 | 7,45 | 0,7 | 0,03 | BLUE | 31398 | 48,67 |
| P31-UP FALL TEE 75X500 BLUE | AW500G | 500 | 19,69 | 4,00 | 8,82 | 0,7 | 0,03 | BLUE | 39228 | 60,80 |
| P31-UP FALL TEE 75X600 BLUE | AW600G | 600 | 23,62 | 4,69 | 10,34 | 0,7 | 0,03 | BLUE | 47058 | 72,94 |

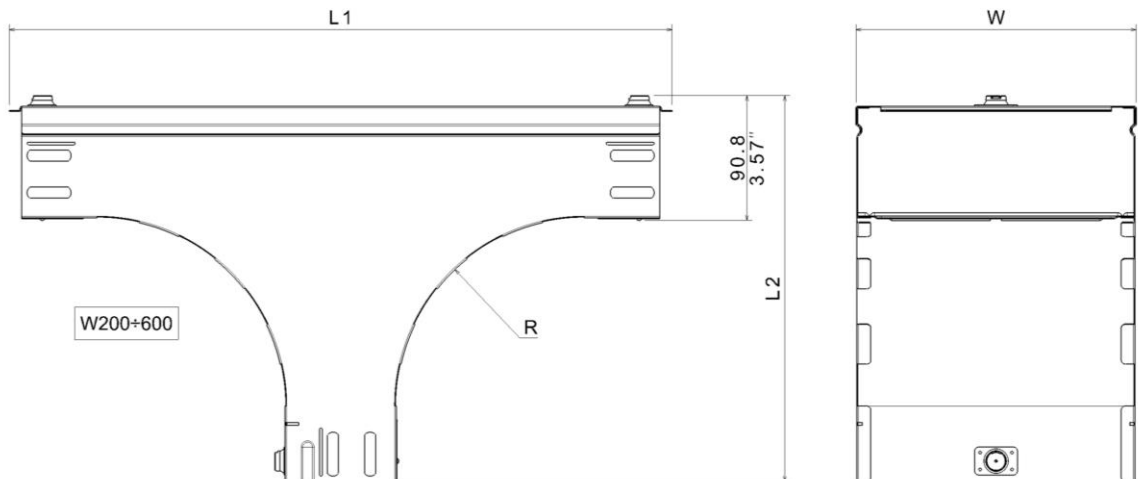
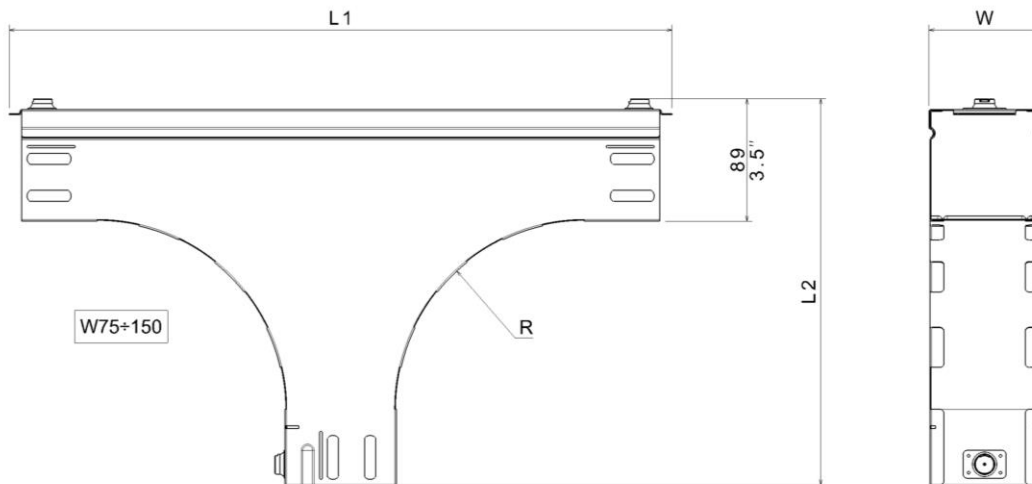
■ 2.4 Up fall tee H75 + cover SS 316L

| Description | Code | Width | | Weight | | Thickness | | Coating | Section | |
|--------------------------------|--------|-------|--------|--------|-------|-----------|--------|---------|--------------------|----------------------|
| | | (mm) | (inch) | (Kg) | (lb) | (mm) | (inch) | | (mm ²) | (inch ²) |
| P31-UP FALL TEE 75X75 SS 316L | AW075L | 77 | 3,03 | 1,35 | 2,98 | 0,7 | 0,03 | SS 316L | 6107 | 9,47 |
| P31-UP FALL TEE 75X100 SS 316L | AW100L | 100 | 3,94 | 1,50 | 3,30 | 0,7 | 0,03 | SS 316L | 7908 | 12,26 |
| P31-UP FALL TEE 75X150 SS 316L | AW150L | 150 | 5,91 | 1,81 | 3,99 | 0,7 | 0,03 | SS 316L | 11823 | 18,33 |
| P31-UP FALL TEE 75X200 SS 316L | AW200L | 200 | 7,87 | 2,13 | 4,70 | 0,7 | 0,03 | SS 316L | 15738 | 24,39 |
| P31-UP FALL TEE 75X300 SS 316L | AW300L | 300 | 11,81 | 2,77 | 6,11 | 0,7 | 0,03 | SS 316L | 23568 | 36,53 |
| P31-UP FALL TEE 75X400 SS 316L | AW400L | 400 | 15,75 | 3,38 | 7,45 | 0,7 | 0,03 | SS 316L | 31398 | 48,67 |
| P31-UP FALL TEE 75X500 SS 316L | AW500L | 500 | 19,69 | 4,00 | 8,82 | 0,7 | 0,03 | SS 316L | 39228 | 60,80 |
| P31-UP FALL TEE 75X600 SS 316L | AW600L | 600 | 23,62 | 4,69 | 10,34 | 0,7 | 0,03 | SS 316L | 47058 | 72,94 |

3. DIMENSIONS (mm/inch)

■ **3.1 Fitting dimensions**

| Description | Width | | Radius | | L1 | | L2 | |
|------------------------|-------|--------|--------|--------|------|--------|------|--------|
| | (mm) | (inch) | (mm) | (inch) | (mm) | (inch) | (mm) | (inch) |
| P31-UP FALL TEE 75X75 | 81 | 3,19 | 137 | 5,38 | 482 | 18,99 | 281 | 11,05 |
| P31-UP FALL TEE 75X100 | 104 | 4,09 | 137 | 5,38 | 482 | 18,99 | 281 | 11,05 |
| P31-UP FALL TEE 75X150 | 154 | 6,06 | 137 | 5,38 | 482 | 18,99 | 281 | 11,05 |
| P31-UP FALL TEE 75X200 | 204 | 8,03 | 137 | 5,38 | 482 | 18,99 | 281 | 11,05 |
| P31-UP FALL TEE 75X300 | 304 | 11,97 | 137 | 5,38 | 482 | 18,99 | 281 | 11,05 |
| P31-UP FALL TEE 75X400 | 404 | 15,91 | 137 | 5,38 | 482 | 18,99 | 281 | 11,05 |
| P31-UP FALL TEE 75X500 | 504 | 19,84 | 137 | 5,38 | 482 | 18,99 | 281 | 11,05 |
| P31-UP FALL TEE 75X600 | 604 | 23,78 | 137 | 5,38 | 482 | 18,99 | 281 | 11,05 |



4. INSTALLATION

■ 4.1 Screw

Use screws M6x12 tightened at 11Nm

Reference(s): 341895/ 03V1M610Z (PG)

485035 (Zn-Ni)

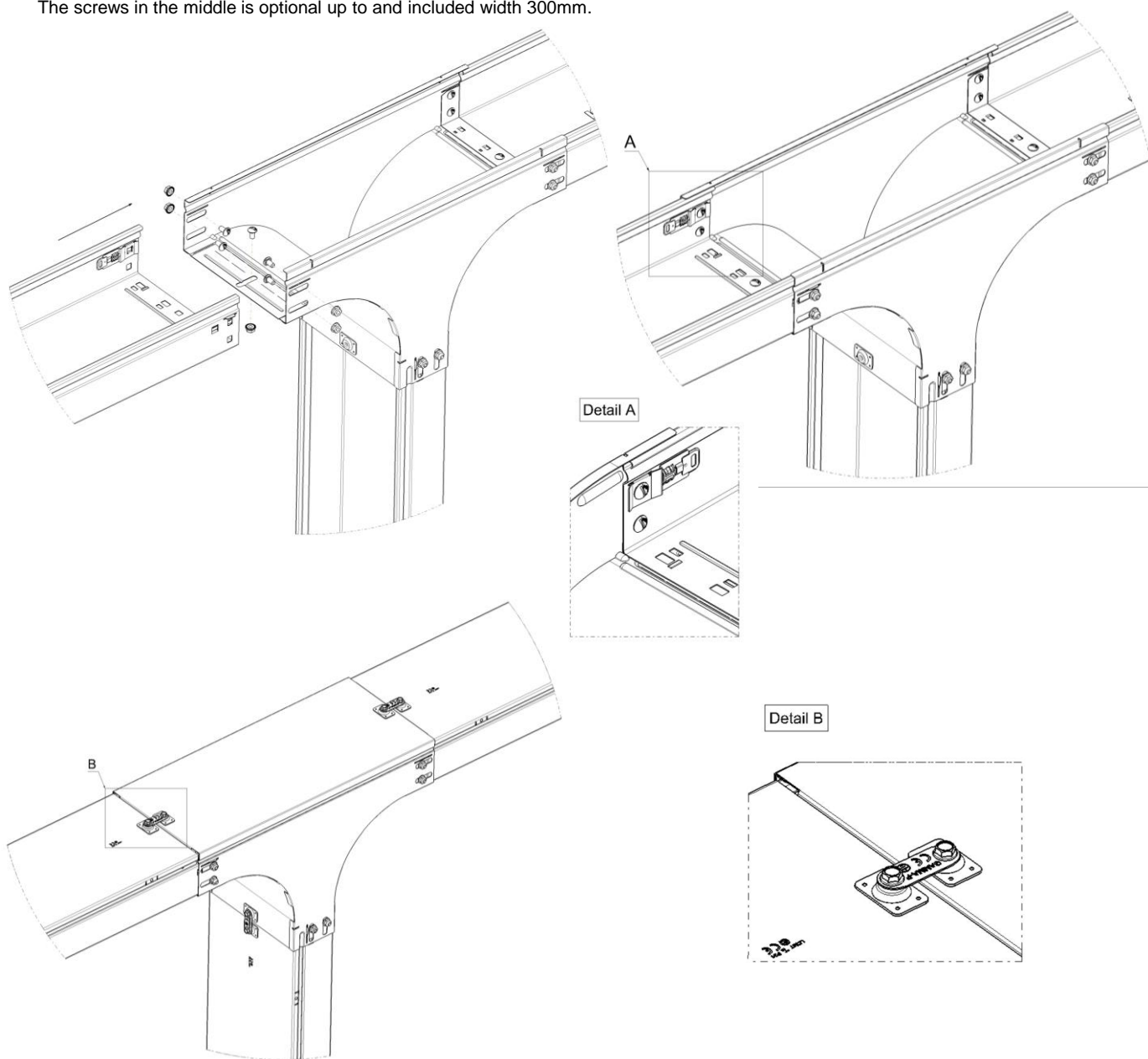
346895/ 03V1M610L (SS316L)

341708 / 31X99X999 (PG)

346474 / 31X99X99X (SS316L)

■ 4.2 Fitting to cable tray

Up fall tee height 75 are assembled using 15 screws M6x12 on the side and on the bottom.
 The screws in the middle is optional up to and included width 300mm.



5. TECHNICAL DATA

■ 5.1 Climatic characteristics

Storage and operating temperature: - 20° C à + 120° C

■ 5.2 Material characteristics

| Material finish | Material | Standard | Resistance class against corrosion |
|-----------------|-----------------|-------------|------------------------------------|
| PG | DX51D + Z200 | EN 10346 | Classe 3 - CEI 61537 |
| BLUE | DX51D + Z200 | EN 10346 | Classe 3 - CEI 61537 |
| HDG | DC 01 | EN 10130 | Classe 6 - CEI 61537 |
| SS304 | X5CrNi18-10 | EN 10 088-2 | Classe 9A - CEI 61537 |
| SS316L | X2CrNiMo17-12-2 | EN 10 088-2 | Classe 9B - CEI 61537 |

6. CONFORMITY - CERTIFICATION

Comply with CEI 61537 Cable tray systems

Certification: CE, IMQ