

P31-LEFT/RIGHT HAND INSIDE RISER H100 + COVER

Reference(s): 4802../44/45/46/47/48/49
4822../44/45/46/47/48/49
4842../44/45/46/47/48/49
4802../66/67/68/69/70/71
4822../66/67/68/69/70/71
4842../66/67/68/69/70/71



1. USE

Left/Right hand inside riser in H100 with cover.

2. RANGE

■ 2.1 Left hand inside riser H100 + cover PG

Description	Code	Width		Weight		Thickness		Coating	Section	
		(mm)	(inch)	(Kg)	(lb)	(mm)	(inch)		(mm ²)	(inch ²)
P31-LEFT HAND INSIDE RISER 100X100 PG	480244	100	3,94	1,48	3,27	1	0,04	PG	9506	14,73
P31-LEFT HAND INSIDE RISER 100X150 PG	480245	150	5,91	2,40	5,29	1	0,04	PG	14356	22,25
P31-LEFT HAND INSIDE RISER 100X200 PG	480246	200	7,87	3,15	6,94	1	0,04	PG	19206	29,77
P31-LEFT HAND INSIDE RISER 100X300 PG	480247	300	11,81	5,43	11,96	1	0,04	PG	28906	44,80
P31-LEFT HAND INSIDE RISER 100X400 PG	480248	400	15,75	8,40	18,52	1	0,04	PG	38606	59,84
P31-LEFT HAND INSIDE RISER 100X500 PG	480249	500	19,69	13,68	30,15	1	0,04	PG	48306	74,87

■ 2.2 Left hand inside riser H100 + cover HDG

Description	Code	Width		Weight		Thickness		Coating	Section	
		(mm)	(inch)	(Kg)	(lb)	(mm)	(inch)		(mm ²)	(inch ²)
P31-LEFT HAND INSIDE RISER 100X100 HDG	482244	100	3,94	1,63	3,60	1	0,04	HDG	9506	14,73
P31-LEFT HAND INSIDE RISER 100X150 HDG	482245	150	5,91	2,64	5,82	1	0,04	HDG	14356	22,25
P31-LEFT HAND INSIDE RISER 100X200 HDG	482246	200	7,87	3,47	7,64	1	0,04	HDG	19206	29,77
P31-LEFT HAND INSIDE RISER 100X300 HDG	482247	300	11,81	5,97	13,16	1	0,04	HDG	28906	44,80
P31-LEFT HAND INSIDE RISER 100X400 HDG	482248	400	15,75	9,24	20,38	1	0,04	HDG	38606	59,84
P31-LEFT HAND INSIDE RISER 100X500 HDG	482249	500	19,69	15,05	33,17	1	0,04	HDG	48306	74,87

■ 2.3 Left hand inside riser H100 + cover BLUE

Description	Code	Width		Weight		Thickness		Coating	Section	
		(mm)	(inch)	(Kg)	(lb)	(mm)	(inch)		(mm ²)	(inch ²)
P31-LEFT HAND INSIDE RISER 100X100 BLUE	484244	100	3,94	1,48	3,27	1	0,04	BLUE	9506	14,73
P31-LEFT HAND INSIDE RISER 100X150 BLUE	484245	150	5,91	2,40	5,29	1	0,04	BLUE	14356	22,25
P31-LEFT HAND INSIDE RISER 100X200 BLUE	484246	200	7,87	3,15	6,94	1	0,04	BLUE	19206	29,77
P31-LEFT HAND INSIDE RISER 100X300 BLUE	484247	300	11,81	5,43	11,96	1	0,04	BLUE	28906	44,80
P31-LEFT HAND INSIDE RISER 100X400 BLUE	484248	400	15,75	8,40	18,52	1	0,04	BLUE	38606	59,84
P31-LEFT HAND INSIDE RISER 100X500 BLUE	484249	500	19,69	13,68	30,15	1	0,04	BLUE	48306	74,87

■ 2.4 Right hand inside riser H100 + cover PG

Description	Code	Width		Weight		Thickness		Coating	Section	
		(mm)	(inch)	(Kg)	(lb)	(mm)	(inch)		(mm ²)	(inch ²)
P31-RIGHT HAND INSIDE RISER 100X100 PG	480266	100	3,94	1,48	3,27	1	0,04	PG	9506	14,73
P31-RIGHT HAND INSIDE RISER 100X150 PG	480267	150	5,91	2,40	5,29	1	0,04	PG	14356	22,25
P31-RIGHT HAND INSIDE RISER 100X200 PG	480268	200	7,87	3,15	6,94	1	0,04	PG	19206	29,77
P31-RIGHT HAND INSIDE RISER 100X300 PG	480269	300	11,81	5,43	11,96	1	0,04	PG	28906	44,80
P31-RIGHT HAND INSIDE RISER 100X400 PG	480270	400	15,75	8,40	18,52	1	0,04	PG	38606	59,84
P31-RIGHT HAND INSIDE RISER 100X500 PG	480271	500	19,69	13,68	30,15	1	0,04	PG	48306	74,87

■ 2.5 Right hand inside riser H100 + cover HDG

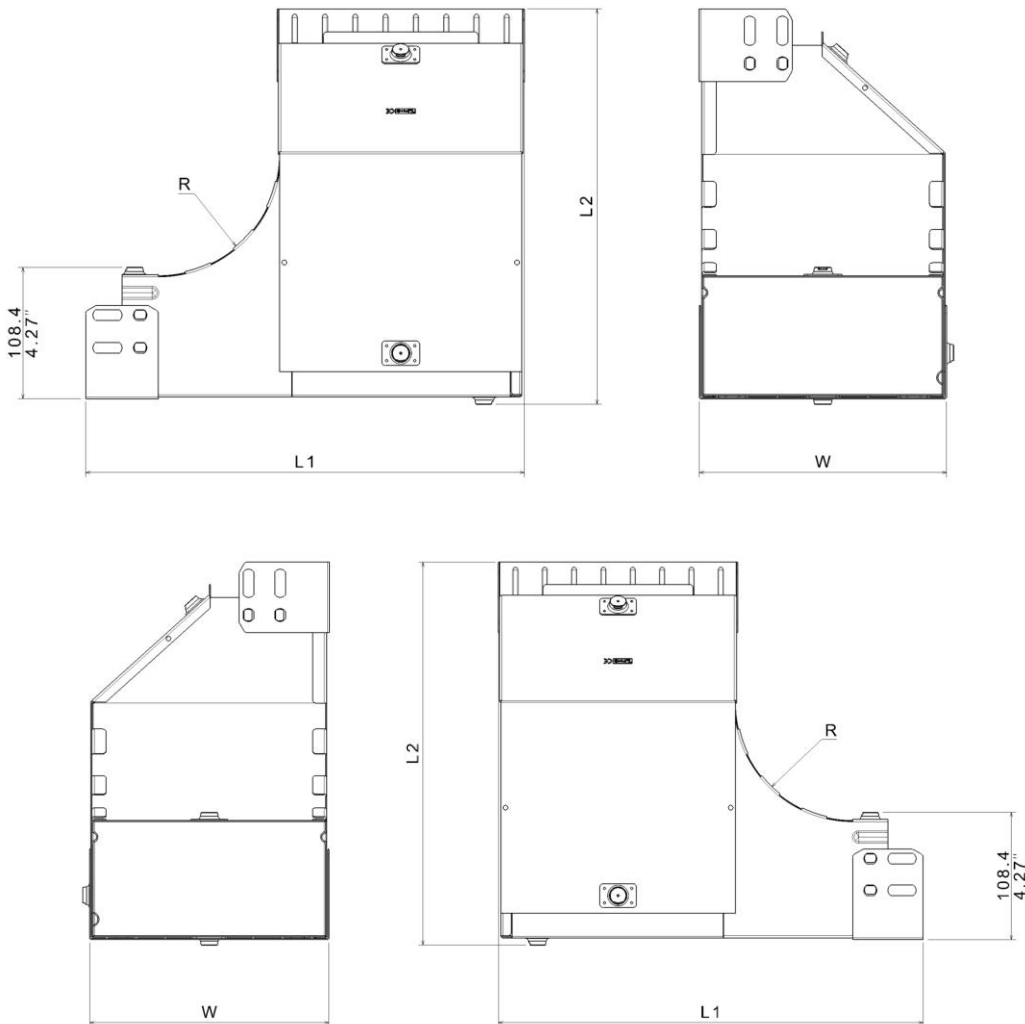
Description	Code	Width		Weight		Thickness		Coating	Section	
		(mm)	(inch)	(Kg)	(lb)	(mm)	(inch)		(mm ²)	(inch ²)
P31-RIGHT HAND INSIDE RISER 100X100 HDG	482266	100	3,94	1,63	3,60	1	0,04	HDG	9506	14,73
P31-RIGHT HAND INSIDE RISER 100X150 HDG	482267	150	5,91	2,64	5,82	1	0,04	HDG	14356	22,25
P31-RIGHT HAND INSIDE RISER 100X200 HDG	482268	200	7,87	3,47	7,64	1	0,04	HDG	19206	29,77
P31-RIGHT HAND INSIDE RISER 100X300 HDG	482269	300	11,81	5,97	13,16	1	0,04	HDG	28906	44,80
P31-RIGHT HAND INSIDE RISER 100X400 HDG	482270	400	15,75	9,24	20,38	1	0,04	HDG	38606	59,84
P31-RIGHT HAND INSIDE RISER 100X500 HDG	482271	500	19,69	15,05	33,17	1	0,04	HDG	48306	74,87

■ 2.6 Right hand inside riser H100 + cover BLUE

Description	Code	Width		Weight		Thickness		Coating	Section	
		(mm)	(inch)	(Kg)	(lb)	(mm)	(inch)		(mm ²)	(inch ²)
P31-RIGHT HAND INSIDE RISER 100X100 BLUE	484266	100	3,94	1,48	3,27	1	0,04	BLUE	9506	14,73
P31-RIGHT HAND INSIDE RISER 100X150 BLUE	484267	150	5,91	2,40	5,29	1	0,04	BLUE	14356	22,25
P31-RIGHT HAND INSIDE RISER 100X200 BLUE	484268	200	7,87	3,15	6,94	1	0,04	BLUE	19206	29,77
P31-RIGHT HAND INSIDE RISER 100X300 BLUE	484269	300	11,81	5,43	11,96	1	0,04	BLUE	28906	44,80
P31-RIGHT HAND INSIDE RISER 100X400 BLUE	484270	400	15,75	8,40	18,52	1	0,04	BLUE	38606	59,84
P31-RIGHT HAND INSIDE RISER 100X500 BLUE	484271	500	19,69	13,68	30,15	1	0,04	BLUE	48306	74,87

■ 3.1 Fitting dimensions

Description	Width		Radius		L1		L2	
	(mm)	(inch)	(mm)	(inch)	(mm)	(inch)	(mm)	(inch)
P31-LEFT/RIGHT HAND INSIDE RISER 100X100	104	4,09	99	3,90	262	10,30	266	10,47
P31-LEFT/RIGHT HAND INSIDE RISER 100X150	154	6,06	99	3,90	312	12,28	326	12,83
P31-LEFT/RIGHT HAND INSIDE RISER 100X200	204	8,03	99	3,90	362	14,25	326	12,83
P31-LEFT/RIGHT HAND INSIDE RISER 100X300	304	11,97	99	3,90	462	18,19	386	15,20
P31-LEFT/RIGHT HAND INSIDE RISER 100X400	404	15,91	149	5,87	632	24,88	436	17,17
P31-LEFT/RIGHT HAND INSIDE RISER 100X500	504	19,84	149	5,87	732	28,82	486	19,13



4. INSTALLATION

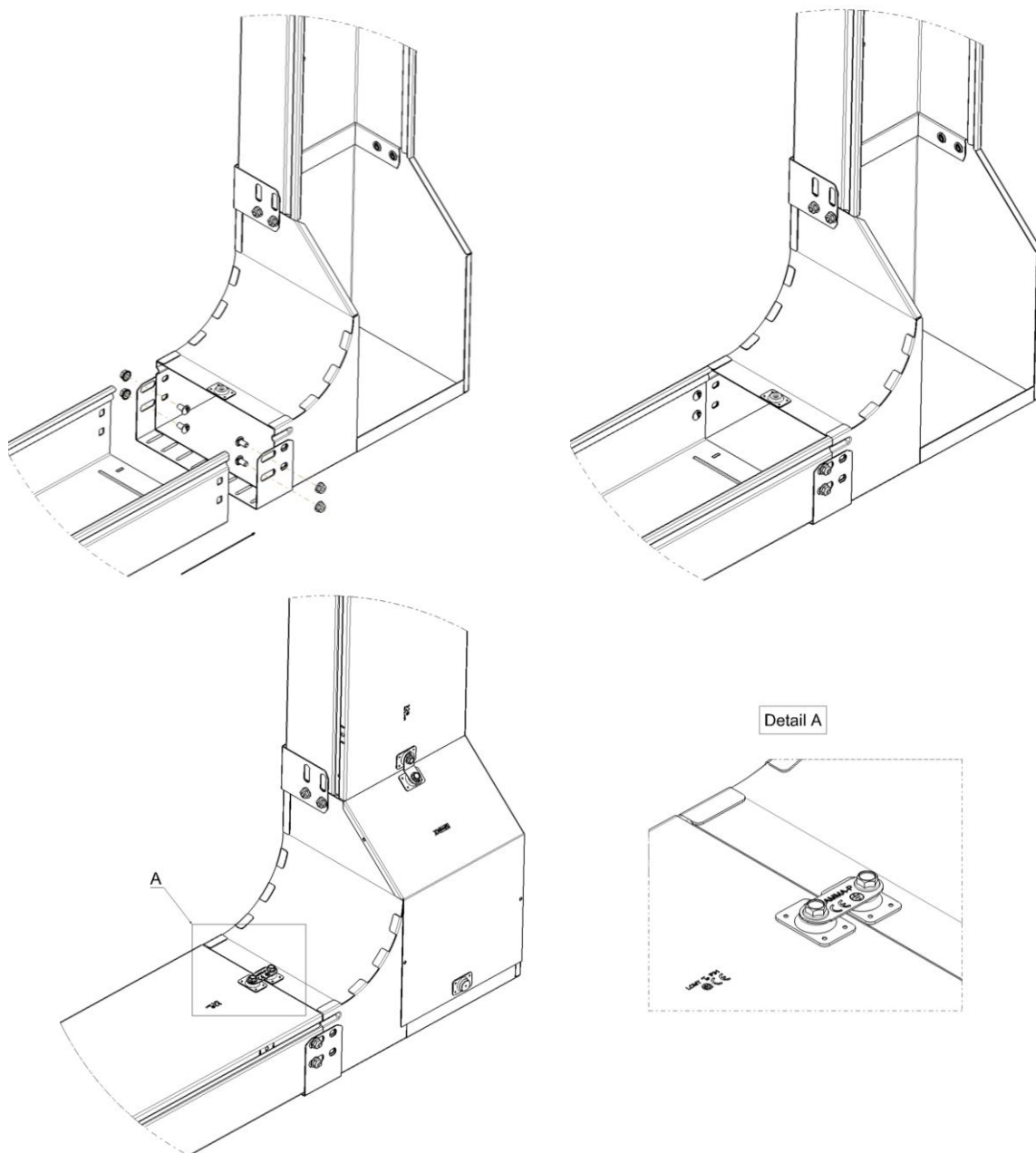
■ 4.1 Screw

Use screws M6x12 tightened at 11Nm

Reference(s): 341895/ 03V1M610Z (PG)
485035 (Zn-Ni)
346895/ 03V1M610L (SS316L)
341708 / 31X99X999 (PG)
346474 / 31X99X99X (SS316L)

■ 4.2 Fitting to cable tray

Left and right hand inside riser height 100 are assembled using 8 screws M6x12 on the side.
Join all covers by earth connection using copper plate or cable to guarantee electrical continuity.



5. TECHNICAL DATA

■ 5.1 Climatic characteristics

Storage and operating temperature: - 20° C à + 120° C

■ 5.2 Material characteristics

Material finish	Material	Standard	Resistance class against corrosion
PG	DX51D + Z200	EN 10346	Classe 3 - CEI 61537
BLUE	DX51D + Z200	EN 10346	Classe 3 - CEI 61537
HDG	DC 01	EN 10130	Classe 6 - CEI 61537
SS304	X5CrNi18-10	EN 10 088-2	Classe 9A - CEI 61537
SS316L	X2CrNiMo17-12-2	EN 10 088-2	Classe 9B - CEI 61537

6. CONFORMITY - CERTIFICATION

Comply with CEI 61537 Cable tray systems

Certification: CE, IMQ