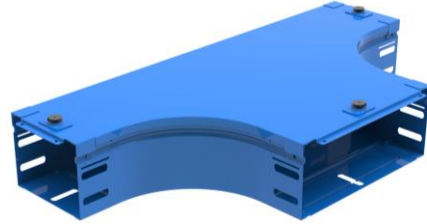


## P31-EQUAL TEE WITH REDUCTION H75

Reference(s): ASR22../23../24../25../27../28../29../31../33../34../35../36../38../39../41../42../44../45../46../47..(Z,C,G)



### 1. USE

Equal tee with reduction in H75 with cover.

### 2. RANGE

#### ■ 2.1 Equal tee with reduction PG

Description	Code	Double entry width		Single entry width		Weight		Thickness		Coating	Double entry section		Single entry section	
		(mm)	(inch)	(mm)	(inch)	(Kg)	(lb)	(mm)	(inch)		(mm²)	(inch²)	(mm²)	(inch²)
P31-EQUAL TEE WITH REDUCTION 75/100X75 PG	ASR22Z	77	3,03	100	3,94	1,14	2,51	0,7	0,03	PG	6107	9,47	7908	12,26
P31-EQUAL TEE WITH REDUCTION 75/150X75 PG	ASR23Z	77	3,03	150	5,91	1,30	2,86	0,7	0,03	PG	6107	9,47	11823	18,33
P31-EQUAL TEE WITH REDUCTION 75/200X75 PG	ASR24Z	77	3,03	200	7,87	1,46	3,21	0,7	0,03	PG	6107	9,47	15738	24,39
P31-EQUAL TEE WITH REDUCTION 75/300X75 PG	ASR25Z	77	3,03	300	11,81	1,77	3,91	0,7	0,03	PG	6107	9,47	23568	36,53
P31-EQUAL TEE WITH REDUCTION 100/75X75 PG	ASR27Z	100	3,94	77	3,03	1,16	2,57	0,7	0,03	PG	7908	12,26	6107	9,47
P31-EQUAL TEE WITH REDUCTION 100/150X75 PG	ASR28Z	100	3,94	150	5,91	1,41	3,12	0,7	0,03	PG	7908	12,26	11823	18,33
P31-EQUAL TEE WITH REDUCTION 100/200X75 PG	ASR29Z	100	3,94	200	7,87	1,59	3,50	0,7	0,03	PG	7908	12,26	15738	24,39
P31-EQUAL TEE WITH REDUCTION 100/300X75 PG	ASR31Z	100	3,94	300	11,81	1,93	4,25	0,7	0,03	PG	7908	12,26	23568	36,53
P31-EQUAL TEE WITH REDUCTION 150/75X75 PG	ASR33Z	150	5,91	77	3,03	1,38	3,04	0,7	0,03	PG	11823	18,33	6107	9,47
P31-EQUAL TEE WITH REDUCTION 150/100X75 PG	ASR34Z	150	5,91	100	3,94	1,47	3,24	0,7	0,03	PG	11823	18,33	7908	12,26
P31-EQUAL TEE WITH REDUCTION 150/200X75 PG	ASR35Z	150	5,91	200	7,87	1,87	4,12	0,7	0,03	PG	11823	18,33	15738	24,39
P31-EQUAL TEE WITH REDUCTION 150/300X75 PG	ASR36Z	150	5,91	300	11,81	2,27	5,00	0,7	0,03	PG	11823	18,33	23568	36,53
P31-EQUAL TEE WITH REDUCTION 200/75X75 PG	ASR38Z	200	7,87	77	3,03	1,60	3,52	0,7	0,03	PG	15738	24,39	6107	9,47
P31-EQUAL TEE WITH REDUCTION 200/100X75 PG	ASR39Z	200	7,87	100	3,94	1,70	3,75	0,7	0,03	PG	15738	24,39	7908	12,26
P31-EQUAL TEE WITH REDUCTION 200/150X75 PG	ASR41Z	200	7,87	150	5,91	1,93	4,25	0,7	0,03	PG	15738	24,39	11823	18,33
P31-EQUAL TEE WITH REDUCTION 200/300X75 PG	ASR42Z	200	7,87	300	11,81	2,61	5,75	0,7	0,03	PG	15738	24,39	23568	36,53
P31-EQUAL TEE WITH REDUCTION 300/75X75 PG	ASR44Z	300	11,81	77	3,03	2,03	4,47	0,7	0,03	PG	23568	36,53	6107	9,47
P31-EQUAL TEE WITH REDUCTION 300/100X75 PG	ASR45Z	300	11,81	100	3,94	2,16	4,76	0,7	0,03	PG	23568	36,53	7908	12,26
P31-EQUAL TEE WITH REDUCTION 300/150X75 PG	ASR46Z	300	11,81	150	5,91	2,44	5,37	0,7	0,03	PG	23568	36,53	11823	18,33
P31-EQUAL TEE WITH REDUCTION 300/200X75 PG	ASR47Z	300	11,81	200	7,87	2,72	6,00	0,7	0,03	PG	23568	36,53	15738	24,39

■ 2.2 Equal tee with reduction HDG

Description	Code	Double entry width		Single entry width		Weight		Thickness		Coating	Double entry section		Single entry section	
		(mm)	(inch)	(mm)	(inch)	(Kg)	(lb)	(mm)	(inch)		(mm <sup>2</sup> )	(inch <sup>2</sup> )	(mm <sup>2</sup> )	(inch <sup>2</sup> )
P31-EQUAL TEE WITH REDUCTION 75/100X75 HDG	ASR22C	77	3,03	100	3,94	1,23	2,70	0,7	0,03	HDG	6107	9,47	7908	12,26
P31-EQUAL TEE WITH REDUCTION 75/150X75 HDG	ASR23C	77	3,03	150	5,91	1,40	3,08	0,7	0,03	HDG	6107	9,47	11823	18,33
P31-EQUAL TEE WITH REDUCTION 75/200X75 HDG	ASR24C	77	3,03	200	7,87	1,58	3,47	0,7	0,03	HDG	6107	9,47	15738	24,39
P31-EQUAL TEE WITH REDUCTION 75/300X75 HDG	ASR25C	77	3,03	300	11,81	1,93	4,24	0,7	0,03	HDG	6107	9,47	23568	36,53
P31-EQUAL TEE WITH REDUCTION 100/75X75 HDG	ASR27C	100	3,94	77	3,03	1,25	2,76	0,7	0,03	HDG	7908	12,26	6107	9,47
P31-EQUAL TEE WITH REDUCTION 100/150X75 HDG	ASR28C	100	3,94	150	5,91	1,53	3,37	0,7	0,03	HDG	7908	12,26	11823	18,33
P31-EQUAL TEE WITH REDUCTION 100/200X75 HDG	ASR29C	100	3,94	200	7,87	1,72	3,79	0,7	0,03	HDG	7908	12,26	15738	24,39
P31-EQUAL TEE WITH REDUCTION 100/300X75 HDG	ASR31C	100	3,94	300	11,81	2,10	4,62	0,7	0,03	HDG	7908	12,26	23568	36,53
P31-EQUAL TEE WITH REDUCTION 150/75X75 HDG	ASR33C	150	5,91	77	3,03	1,49	3,29	0,7	0,03	HDG	11823	18,33	6107	9,47
P31-EQUAL TEE WITH REDUCTION 150/100X75 HDG	ASR34C	150	5,91	100	3,94	1,59	3,51	0,7	0,03	HDG	11823	18,33	7908	12,26
P31-EQUAL TEE WITH REDUCTION 150/200X75 HDG	ASR35C	150	5,91	200	7,87	2,03	4,47	0,7	0,03	HDG	11823	18,33	15738	24,39
P31-EQUAL TEE WITH REDUCTION 150/300X75 HDG	ASR36C	150	5,91	300	11,81	2,47	5,44	0,7	0,03	HDG	11823	18,33	23568	36,53
P31-EQUAL TEE WITH REDUCTION 200/75X75 HDG	ASR38C	200	7,87	77	3,03	1,73	3,81	0,7	0,03	HDG	15738	24,39	6107	9,47
P31-EQUAL TEE WITH REDUCTION 200/100X75 HDG	ASR39C	200	7,87	100	3,94	1,84	4,06	0,7	0,03	HDG	15738	24,39	7908	12,26
P31-EQUAL TEE WITH REDUCTION 200/150X75 HDG	ASR41C	200	7,87	150	5,91	2,09	4,61	0,7	0,03	HDG	15738	24,39	11823	18,33
P31-EQUAL TEE WITH REDUCTION 200/200X75 HDG	ASR42C	200	7,87	300	11,81	2,84	6,26	0,7	0,03	HDG	15738	24,39	23568	36,53
P31-EQUAL TEE WITH REDUCTION 300/75X75 HDG	ASR44C	300	11,81	77	3,03	2,20	4,86	0,7	0,03	HDG	23568	36,53	6107	9,47
P31-EQUAL TEE WITH REDUCTION 300/100X75 HDG	ASR45C	300	11,81	100	3,94	2,35	5,17	0,7	0,03	HDG	23568	36,53	7908	12,26
P31-EQUAL TEE WITH REDUCTION 300/150X75 HDG	ASR46C	300	11,81	150	5,91	2,65	5,85	0,7	0,03	HDG	23568	36,53	11823	18,33
P31-EQUAL TEE WITH REDUCTION 300/200X75 HDG	ASR47C	300	11,81	200	7,87	2,97	6,54	0,7	0,03	HDG	23568	36,53	15738	24,39

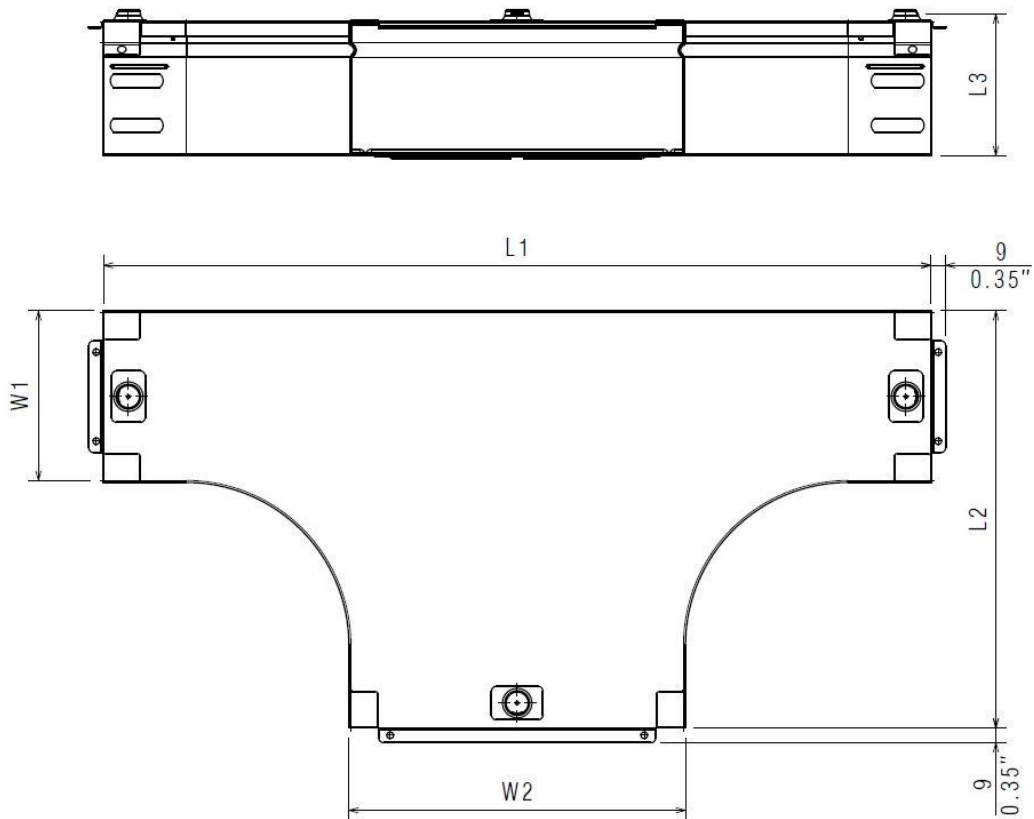
■ 2.3 Equal tee with reduction BLUE

Description	Code	Double entry width		Single entry width		Weight		Thickness		Coating	Double entry section		Single entry section	
		(mm)	(inch)	(mm)	(inch)	(Kg)	(lb)	(mm)	(inch)		(mm <sup>2</sup> )	(inch <sup>2</sup> )	(mm <sup>2</sup> )	(inch <sup>2</sup> )
P31-EQUAL TEE WITH REDUCTION 75/100X75 BLUE	ASR22G	77	3,03	100	3,94	1,14	2,51	0,7	0,03	BLUE	6107	9,47	7908	12,26
P31-EQUAL TEE WITH REDUCTION 75/150X75 BLUE	ASR23G	77	3,03	150	5,91	1,30	2,86	0,7	0,03	BLUE	6107	9,47	11823	18,33
P31-EQUAL TEE WITH REDUCTION 75/200X75 BLUE	ASR24G	77	3,03	200	7,87	1,46	3,21	0,7	0,03	BLUE	6107	9,47	15738	24,39
P31-EQUAL TEE WITH REDUCTION 75/300X75 BLUE	ASR25G	77	3,03	300	11,81	1,77	3,91	0,7	0,03	BLUE	6107	9,47	23568	36,53
P31-EQUAL TEE WITH REDUCTION 100/75X75 BLUE	ASR27G	100	3,94	77	3,03	1,16	2,57	0,7	0,03	BLUE	7908	12,26	6107	9,47
P31-EQUAL TEE WITH REDUCTION 100/150X75 BLUE	ASR28G	100	3,94	150	5,91	1,41	3,12	0,7	0,03	BLUE	7908	12,26	11823	18,33
P31-EQUAL TEE WITH REDUCTION 100/200X75 BLUE	ASR29G	100	3,94	200	7,87	1,59	3,50	0,7	0,03	BLUE	7908	12,26	15738	24,39
P31-EQUAL TEE WITH REDUCTION 100/300X75 BLUE	ASR31G	100	3,94	300	11,81	1,93	4,25	0,7	0,03	BLUE	7908	12,26	23568	36,53
P31-EQUAL TEE WITH REDUCTION 150/75X75 BLUE	ASR33G	150	5,91	77	3,03	1,38	3,04	0,7	0,03	BLUE	11823	18,33	6107	9,47
P31-EQUAL TEE WITH REDUCTION 150/100X75 BLUE	ASR34G	150	5,91	100	3,94	1,47	3,24	0,7	0,03	BLUE	11823	18,33	7908	12,26
P31-EQUAL TEE WITH REDUCTION 150/200X75 BLUE	ASR35G	150	5,91	200	7,87	1,87	4,12	0,7	0,03	BLUE	11823	18,33	15738	24,39
P31-EQUAL TEE WITH REDUCTION 150/300X75 BLUE	ASR36G	150	5,91	300	11,81	2,27	5,00	0,7	0,03	BLUE	11823	18,33	23568	36,53
P31-EQUAL TEE WITH REDUCTION 200/75X75 BLUE	ASR38G	200	7,87	77	3,03	1,60	3,52	0,7	0,03	BLUE	15738	24,39	6107	9,47
P31-EQUAL TEE WITH REDUCTION 200/100X75 BLUE	ASR39G	200	7,87	100	3,94	1,70	3,75	0,7	0,03	BLUE	15738	24,39	7908	12,26
P31-EQUAL TEE WITH REDUCTION 200/150X75 BLUE	ASR41G	200	7,87	150	5,91	1,93	4,25	0,7	0,03	BLUE	15738	24,39	11823	18,33
P31-EQUAL TEE WITH REDUCTION 200/200X75 BLUE	ASR42G	200	7,87	300	11,81	2,61	5,75	0,7	0,03	BLUE	15738	24,39	23568	36,53
P31-EQUAL TEE WITH REDUCTION 300/75X75 BLUE	ASR44G	300	11,81	77	3,03	2,03	4,47	0,7	0,03	BLUE	23568	36,53	6107	9,47
P31-EQUAL TEE WITH REDUCTION 300/100X75 BLUE	ASR45G	300	11,81	100	3,94	2,16	4,76	0,7	0,03	BLUE	23568	36,53	7908	12,26
P31-EQUAL TEE WITH REDUCTION 300/150X75 BLUE	ASR46G	300	11,81	150	5,91	2,44	5,37	0,7	0,03	BLUE	23568	36,53	11823	18,33
P31-EQUAL TEE WITH REDUCTION 300/200X75 BLUE	ASR47G	300	11,81	200	7,87	2,72	6,00	0,7	0,03	BLUE	23568	36,53	15738	24,39

**3. DIMENSIONS**

■ 3.1 Dimensions of reduction tee H75

Description	L1		L2		L3		W1		W2	
	(mm)	(inch)	(mm)	(inch)	(mm)	(inch)	(mm)	(inch)	(mm)	(inch)
P31 RED. TEE 75/100x75	401	15,79	230	9,04	86	3,39	81	3,19	104	4,09
P31 RED. TEE 75/150x75	451	17,76	230	9,04	86	3,39	81	3,19	154	6,06
P31 RED. TEE 75/200x75	501	19,73	230	9,04	88	3,46	81	3,19	204	8,03
P31 RED. TEE 75/300x75	601	23,67	230	9,04	88	3,46	81	3,19	304	11,97
P31 RED. TEE 100/75x75	378	14,89	253	9,94	86	3,39	104	4,09	81	3,19
P31 RED. TEE 100/150x75	451	17,76	253	9,94	86	3,39	104	4,09	154	6,06
P31 RED. TEE 100/200x75	501	19,73	253	9,94	88	3,46	104	4,09	204	8,03
P31 RED. TEE 100/300x75	601	23,67	253	9,94	88	3,46	104	4,09	304	11,97
P31 RED. TEE 150/75x75	378	14,89	303	11,91	86	3,39	154	6,06	81	3,19
P31 RED. TEE 150/100x75	401	15,79	303	11,91	86	3,39	154	6,06	104	4,09
P31 RED. TEE 150/200x75	501	19,73	303	11,91	88	3,46	154	6,06	204	8,03
P31 RED. TEE 150/300x75	601	23,67	303	11,91	88	3,46	154	6,06	304	11,97
P31 RED. TEE 200/75x75	378	14,89	353	13,88	88	3,46	204	8,03	81	3,19
P31 RED. TEE 200/100x75	401	15,79	353	13,88	88	3,46	204	8,03	104	4,09
P31 RED. TEE 200/150x75	451	17,76	353	13,88	88	3,46	204	8,03	154	6,06
P31 RED. TEE 200/300x75	601	23,67	352	13,86	88	3,46	204	8,03	304	11,97
P31 RED. TEE 300/75x75	378	14,89	453	17,81	88	3,46	304	11,97	81	3,19
P31 RED. TEE 300/100x75	401	15,79	453	17,81	88	3,46	304	11,97	104	4,09
P31 RED. TEE 300/150x75	451	17,76	453	17,81	88	3,46	304	11,97	154	6,06
P31 RED. TEE 300/200x75	501	19,73	453	17,81	88	3,46	304	11,97	204	8,03



## 4. INSTALLATION

### ■ 4.1 Screw and tools

Use screws M6x12 tightened at 11Nm

Reference(s): 341895 / 03V1M610Z (PG)

485035 (Zn-Ni)

346895/ 03V1M610L (SS316L)

341708 / 31X99X999 (PG)

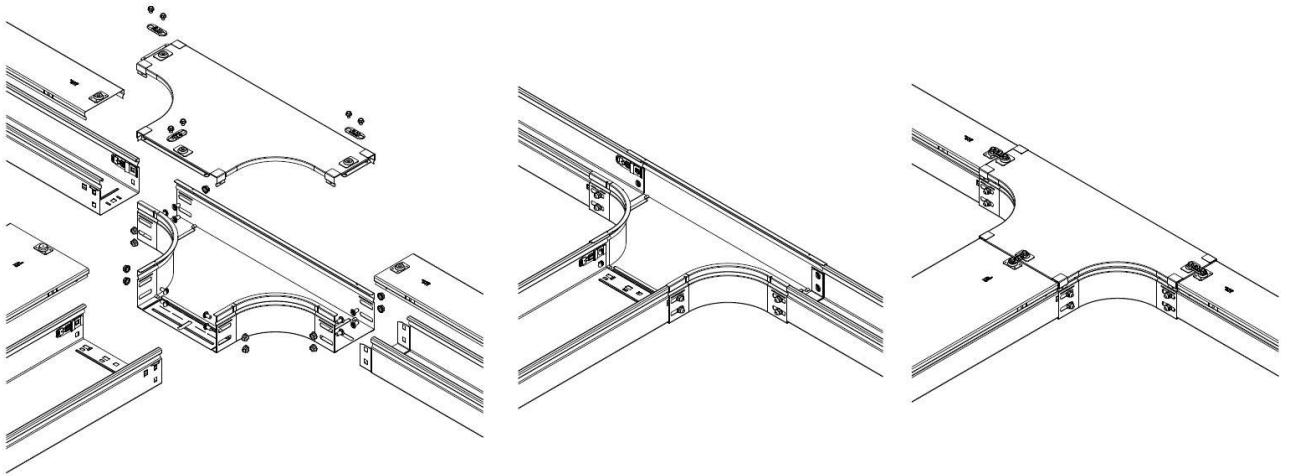
346474 / 31X99X99X (SS316L)

### ■ 4.2 Fitting to cable tray

Equal Tee with reduction in height 75 are assembled using 15 screws M6x12 on the side and on the bottom.

The screws in the middle is optional up to and included width 300mm.

Join all covers by earth connection using copper plate or cable to guarantee electrical continuity.



## 5. TECHNICAL DATA

### ■ 5.1 Climatic characteristics

Storage and operating temperature: - 20° C à + 120° C

### ■ 5.2 Material characteristics

Material finish	Material	Standard	Resistance class against corrosion
PG	DX51D + Z200	EN 10346	Classe 3 - CEI 61537
BLUE	DX51D + Z200	EN 10346	Classe 3 - CEI 61537
HDG	DC 01	EN 10130	Classe 6 - CEI 61537
SS304	X5CrNi18-10	EN 10 088-2	Classe 9A - CEI 61537
SS316L	X2CrNiMo17-12-2	EN 10 088-2	Classe 9B - CEI 61537

## 6. CONFORMITY - CERTIFICATION

Comply with CEI 61537 Cable tray systems

Certification: CE, IMQ