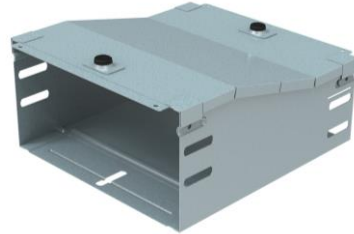
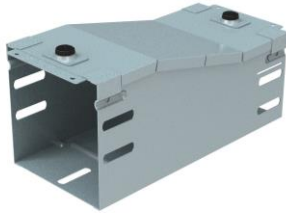


## P31-HEIGHT REDUCER H100/H75 + COVER

Reference(s): 4817../01/02/03/04/05/06  
4837../01/02/03/04/05/06  
4857../01/02/03/04/05/06



### 1. USE

Height Reducer in H100/H75 with blind bottom.

### 2. RANGE BLIND

#### ■ 2.1 HEIGHT REDUCER blind PG

Description	Code	Width		Weight		Thickness		Coating	Section min.	
		(mm)	(inch)	(Kg)	(lb)	(mm)	(inch)		(mm <sup>2</sup> )	(inch <sup>2</sup> )
P31-HEIGHT REDUCER 100 PG	481701	104	4,09	0,58	1,29	0,7	0,03	PG	5181	8,03
P31-HEIGHT REDUCER 150 PG	481702	154	6,06	0,71	1,57	0,7	0,03	PG	7708	11,95
P31-HEIGHT REDUCER 200 PG	481703	204	8,03	0,84	1,86	0,7	0,03	PG	10273	15,92
P31-HEIGHT REDUCER 300 PG	481704	304	11,97	1,10	2,43	0,7	0,03	PG	15403	23,87
P31-HEIGHT REDUCER 400 PG	481705	404	15,91	1,36	3,00	0,7	0,03	PG	20533	31,83
P31-HEIGHT REDUCER 500 PG	481706	504	19,84	1,62	3,57	0,7	0,03	PG	25663	39,78

#### ■ 2.2 HEIGHT REDUCER blind HDG

Description	Code	Width		Weight		Thickness		Coating	Section min.	
		(mm)	(inch)	(Kg)	(lb)	(mm)	(inch)		(mm <sup>2</sup> )	(inch <sup>2</sup> )
P31-HEIGHT REDUCER 100 HDG	483701	104	4,09	0,64	1,42	0,7	0,03	HDG	5181	8,03
P31-HEIGHT REDUCER 150 HDG	483702	154	6,06	0,78	1,73	0,7	0,03	HDG	7708	11,95
P31-HEIGHT REDUCER 200 HDG	483707	204	8,03	0,93	2,04	0,7	0,03	HDG	10273	15,92
P31-HEIGHT REDUCER 300 HDG	483704	304	11,97	1,21	2,67	0,7	0,03	HDG	15403	23,87
P31-HEIGHT REDUCER 400 HDG	483705	404	15,91	1,50	3,30	0,7	0,03	HDG	20533	31,83
P31-HEIGHT REDUCER 500 HDG	483706	504	19,84	1,78	3,92	0,7	0,03	HDG	25663	39,78

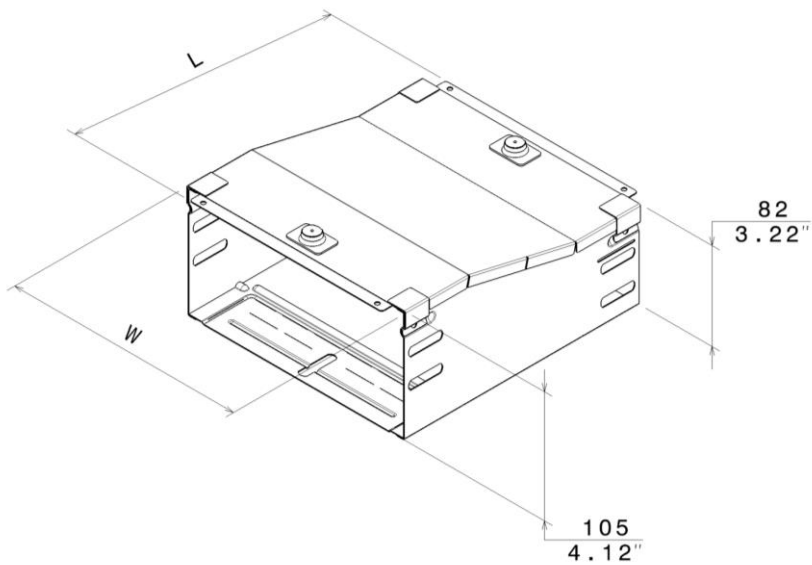
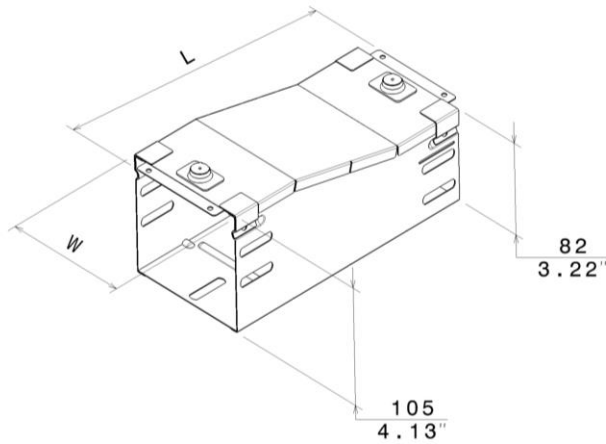
#### ■ 2.3 HEIGHT REDUCER blind BLUE

Description	Code	Width		Weight		Thickness		Coating	Section min.	
		(mm)	(inch)	(Kg)	(lb)	(mm)	(inch)		(mm <sup>2</sup> )	(inch <sup>2</sup> )
P31-HEIGHT REDUCER 100 BLUE	485701	104	4,09	0,58	1,29	0,7	0,03	BLUE	5181	8,03
P31-HEIGHT REDUCER 150 BLUE	485702	154	6,06	0,71	1,57	0,7	0,03	BLUE	7708	11,95
P31-HEIGHT REDUCER 200 BLUE	485703	204	8,03	0,84	1,86	0,7	0,03	BLUE	10273	15,92
P31-HEIGHT REDUCER 300 BLUE	485704	304	11,97	1,10	2,43	0,7	0,03	BLUE	15403	23,87
P31-HEIGHT REDUCER 400 BLUE	485705	404	15,91	1,36	3,00	0,7	0,03	BLUE	20533	31,83
P31-HEIGHT REDUCER 500 BLUE	485706	504	19,84	1,62	3,57	0,7	0,03	BLUE	25663	39,78

**3. DIMENSIONS (mm/inch)**

■ **3.1 Fitting dimensions**

Description	Width		L	
	(mm)	(inch)	(mm)	(inch)
P31-HEIGHT REDUCER H100/H75 W100	104	4,09	240	9,45
P31-HEIGHT REDUCER H100/H75 W150	154	6,06	240	9,45
P31-HEIGHT REDUCER H100/H75 W200	204	8,03	240	9,45
P31-HEIGHT REDUCER H100/H75 W300	304	11,97	240	9,45
P31-HEIGHT REDUCER H100/H75 W400	404	15,91	240	9,45
P31-HEIGHT REDUCER H100/H75 W500	504	19,84	240	9,45



**4. INSTALLATION**

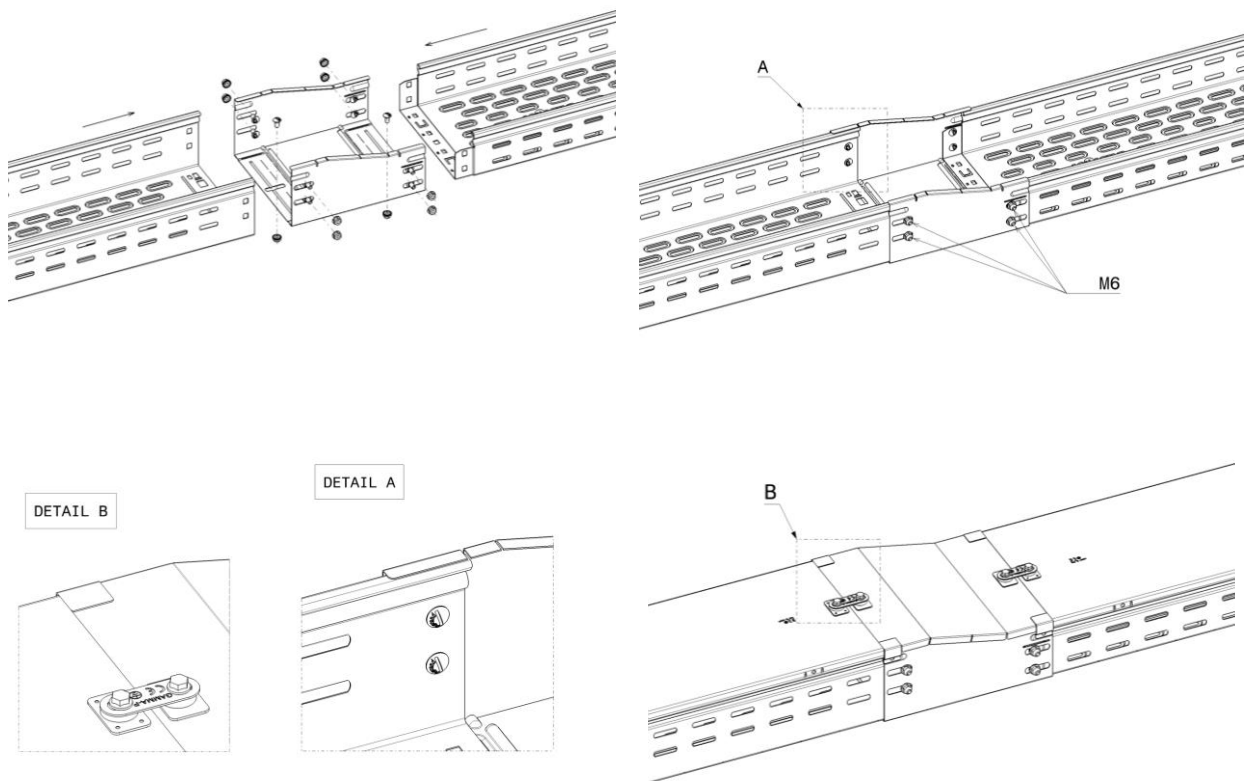
■ **4.1 Screw and tools**

Use screws M6x12 tightened at 11Nm

- Reference(s): 341895 / 03V1M610Z (PG)  
 485035 (Zn-Ni)  
 346895/ 03V1M610L (SS316L)  
 341708 / 31X99X999 (PG)  
 346474 / 31X99X99X (SS316L)

■ **4.2 Fitting to cable tray**

Height Reducer 100/75 are assembled using 10 screws M6x12 on the side and on the bottom.  
 The screws in the middle is optional up to and included width 300mm.



**5. TECHNICAL DATA**

■ **5.1 Climatic characteristics**

Storage and operating temperature: - 20° C à + 120° C

■ **5.2 Material characteristics**

Material finish	Material	Standard	Resistance class against corrosion
PG	DX51D + Z200	EN 10346	Classe 3 - CEI 61537
BLUE	DX51D + Z200	EN 10346	Classe 3 - CEI 61537
HDG	DC 01	EN 10130	Classe 6 - CEI 61537
SS304	X5CrNi18-10	EN 10 088-2	Classe 9A - CEI 61537
SS316L	X2CrNiMo17-12-2	EN 10 088-2	Classe 9B - CEI 61537

**6. CONFORMITY - CERTIFICATION**

Comply with CEI 61537 Cable tray systems  
 Certification: CE, IMQ