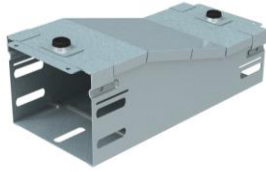


P31-HEIGHT REDUCER H75/H50 + COVER

Reference(s): 4816../46/47/48/49/50/52
4836../46/47/48/49/50/52
4856../46/47/48/49/50/52



1. USE

Height Reducer in H75/50 with blind bottom.

2. RANGE BLIND

■ 2.1 HEIGHT REDUCER blind PG

Description	Code	Width		Weight		Thickness		Coating	Section min.	
		(mm)	(inch)	(Kg)	(lb)	(mm)	(inch)		(mm ²)	(inch ²)
P31-HEIGHT REDUCER 100 PG	481646	104	4,09	0,52	1,14	0,7	0,03	PG	5181	8,03
P31-HEIGHT REDUCER 150 PG	481647	154	6,06	0,65	1,42	0,7	0,03	PG	7708	11,95
P31-HEIGHT REDUCER 200 PG	481648	204	8,03	0,78	1,71	0,7	0,03	PG	10273	15,92
P31-HEIGHT REDUCER 300 PG	481649	304	11,97	1,04	2,28	0,7	0,03	PG	15403	23,87
P31-HEIGHT REDUCER 400 PG	481650	404	15,91	1,29	2,85	0,7	0,03	PG	20533	31,83
P31-HEIGHT REDUCER 500 PG	481651	504	19,84	1,55	3,42	0,7	0,03	PG	25663	39,78
P31-HEIGHT REDUCER 600 PG	481652	604	23,78	1,81	3,99	0,7	0,03	PG	30793	47,73

■ 2.2 HEIGHT REDUCER blind HDG

Description	Code	Width		Weight		Thickness		Coating	Section min.	
		(mm)	(inch)	(Kg)	(lb)	(mm)	(inch)		(mm ²)	(inch ²)
P31-HEIGHT REDUCER 100 HDG	483646	104	4,09	0,57	1,26	0,7	0,03	HDG	5181	8,03
P31-HEIGHT REDUCER 150 HDG	483647	154	6,06	0,71	1,57	0,7	0,03	HDG	7708	11,95
P31-HEIGHT REDUCER 200 HDG	483648	204	8,03	0,85	1,88	0,7	0,03	HDG	10273	15,92
P31-HEIGHT REDUCER 300 HDG	483649	304	11,97	1,14	2,51	0,7	0,03	HDG	15403	23,87
P31-HEIGHT REDUCER 400 HDG	483650	404	15,91	1,42	3,14	0,7	0,03	HDG	20533	31,83
P31-HEIGHT REDUCER 500 HDG	483651	504	19,84	1,71	3,76	0,7	0,03	HDG	25663	39,78
P31-HEIGHT REDUCER 600 HDG	483652	604	23,78	1,99	4,39	0,7	0,03	HDG	30793	47,73

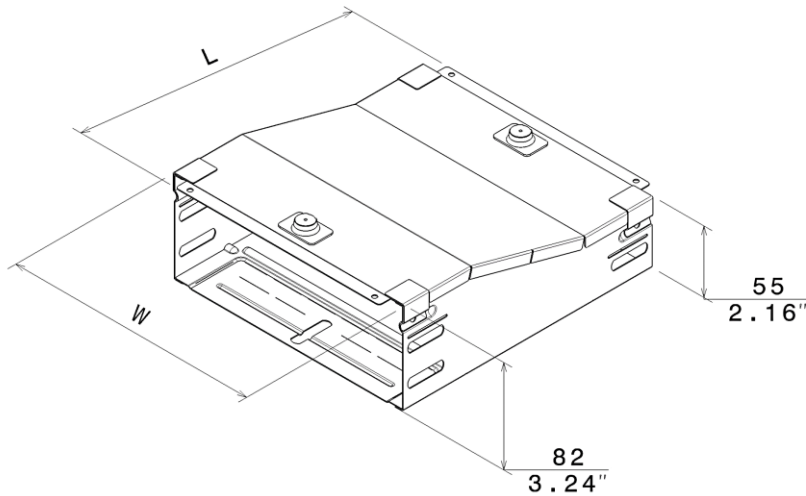
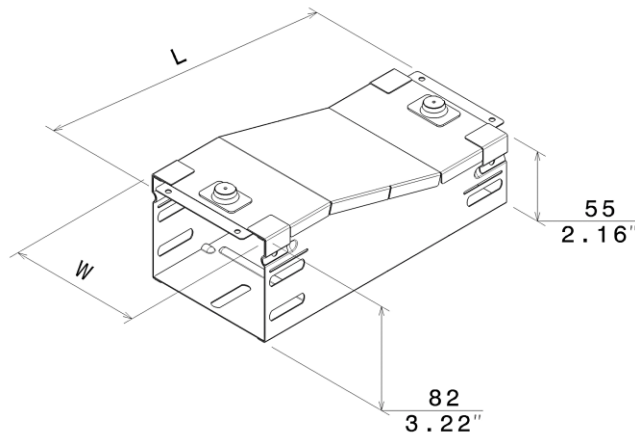
■ 2.3 HEIGHT REDUCER blind BLUE

Description	Code	Width		Weight		Thickness		Coating	Section min.	
		(mm)	(inch)	(Kg)	(lb)	(mm)	(inch)		(mm ²)	(inch ²)
P31-HEIGHT REDUCER 100 BLUE	485646	104	4,09	0,52	1,14	0,7	0,03	BLUE	5181	8,03
P31-HEIGHT REDUCER 150 BLUE	485647	154	6,06	0,65	1,42	0,7	0,03	BLUE	7708	11,95
P31-HEIGHT REDUCER 200 BLUE	485648	204	8,03	0,78	1,71	0,7	0,03	BLUE	10273	15,92
P31-HEIGHT REDUCER 300 BLUE	485649	304	11,97	1,04	2,28	0,7	0,03	BLUE	15403	23,87
P31-HEIGHT REDUCER 400 BLUE	485650	404	15,91	1,29	2,85	0,7	0,03	BLUE	20533	31,83
P31-HEIGHT REDUCER 500 BLUE	485651	504	19,84	1,55	3,42	0,7	0,03	BLUE	25663	39,78
P31-HEIGHT REDUCER 600 BLUE	485652	604	23,78	1,81	3,99	0,7	0,03	BLUE	30793	47,73

3. DIMENSIONS (mm/inch)

■ 3.1 Fitting dimensions

Description	Width		L	
	(mm)	(inch)	(mm)	(inch)
P31-HEIGHT REDUCER H75/H50 W100	104	4,09	240	9,45
P31-HEIGHT REDUCER H75/H50 W150	154	6,06	240	9,45
P31-HEIGHT REDUCER H75/H50 W200	204	8,03	240	9,45
P31-HEIGHT REDUCER H75/H50 W300	304	11,97	240	9,45
P31-HEIGHT REDUCER H75/H50 W400	404	15,91	240	9,45
P31-HEIGHT REDUCER H75/H50 W500	504	19,84	240	9,45
P31-HEIGHT REDUCER H75/H50 W600	604	23,78	240	9,45



4. INSTALLATION

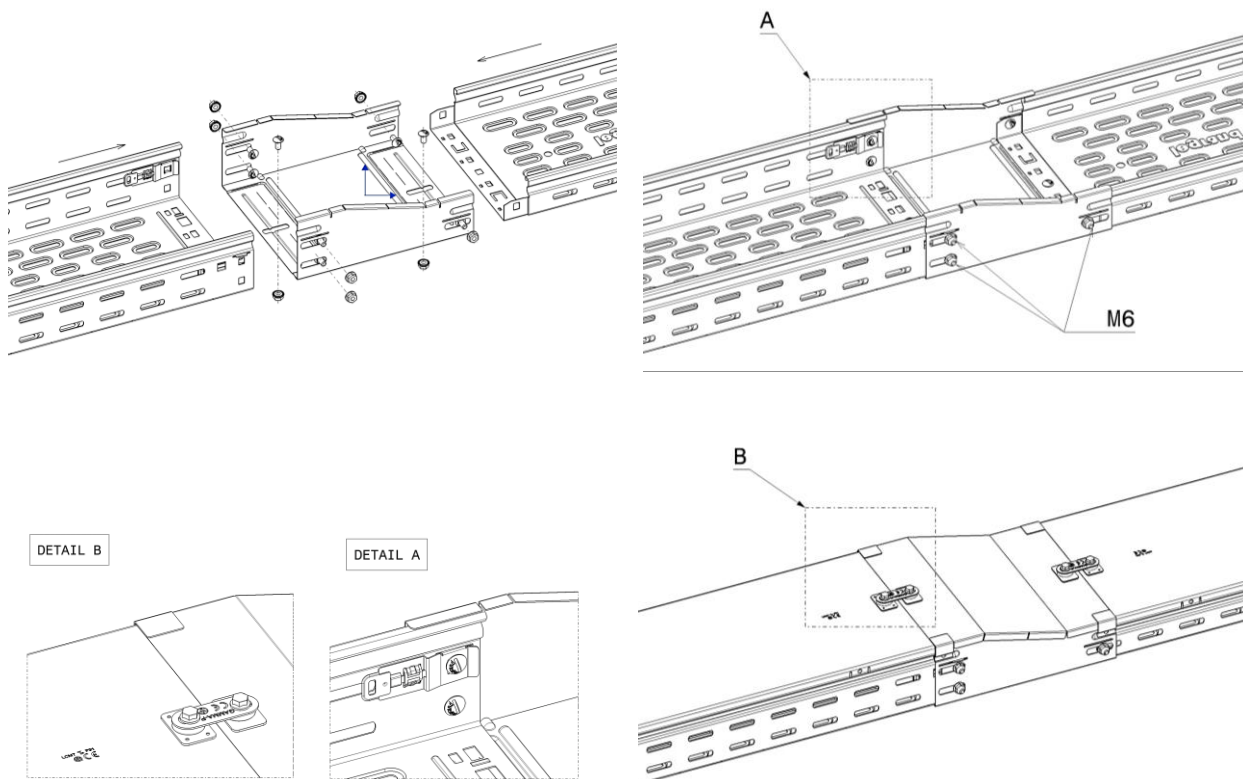
■ **4.1 Screw and tools**

Use screws M6x12 tightened at 11Nm

- Reference(s): 341895 / 03V1M610Z (PG)
485035 (Zn-Ni)
346895/ 03V1M610L (SS316L)
341708 / 31X99X999 (PG)
346474 / 31X99X99X (SS316L)

■ **4.2 Fitting to cable tray**

Height Reducer 75/50 are assembled using 8 screws M6x12 on the side and on the bottom.
The screws in the middle is optional up to and included width 300mm.



5. TECHNICAL DATA

■ **5.1 Climatic characteristics**

Storage and operating temperature: - 20° C à + 120° C

■ **5.2 Material characteristics**

Material finish	Material	Standard	Resistance class against corrosion
PG	DX51D + Z200	EN 10346	Classe 3 - CEI 61537
BLUE	DX51D + Z200	EN 10346	Classe 3 - CEI 61537
HDG	DC 01	EN 10130	Classe 6 - CEI 61537
SS304	X5CrNi18-10	EN 10 088-2	Classe 9A - CEI 61537
SS316L	X2CrNiMo17-12-2	EN 10 088-2	Classe 9B - CEI 61537

6. CONFORMITY - CERTIFICATION

Comply with CEI 61537 Cable tray systems
Certification: CE, IMQ