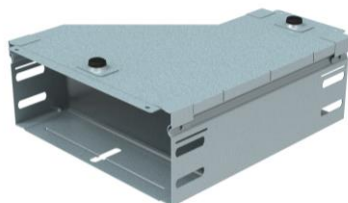


## P31-LEFT HAND REDUCER H75 + COVER P31-RIGHT HAND REDUCER H75 + COVER

Reference(s): AHS../27Z/33Z/34Z/38Z/39Z/41Z/47Z  
AHS../27C/33C/34C/38C/39C/41C/47C  
AHS../27G/33G/34G/38G/39G/41G/47G  
AHD../27Z/33Z/34Z/38Z/39Z/41Z/47Z  
AHD../27C/33C/34C/38C/39C/41C/47C  
AHD../27G/33G/34G/38G/39G/41G/47G



### 1. USE

Left / Right Hand Reducer in H75 with blind bottom.

### 2. RANGE BLIND

#### ■ 2.1 LEFT HAND REDUCER blind PG

Description	Code	Width min.		Weight		Thickness		Coating	Section min.	
		(mm)	(inch)	(Kg)	(lb)	(mm)	(inch)		(mm <sup>2</sup> )	(inch <sup>2</sup> )
P31-LEFT HAND REDUCER 100 / 75 PG	AHS27Z	81	3,19	0,50	1,10	0,7	0,03	PG	6069	9,41
P31-LEFT HAND REDUCER 150 / 75 PG	AHS33Z	81	3,19	0,57	1,26	0,7	0,03	PG	6069	9,41
P31-LEFT HAND REDUCER 150 / 100 PG	AHS34Z	104	4,09	0,60	1,32	0,7	0,03	PG	7870	12,20
P31-LEFT HAND REDUCER 200 / 75 PG	AHS38Z	81	3,19	0,65	1,43	0,7	0,03	PG	6069	9,41
P31-LEFT HAND REDUCER 200 / 100 PG	AHS39Z	104	4,09	0,67	1,48	0,7	0,03	PG	7870	12,20
P31-LEFT HAND REDUCER 200 / 150 PG	AHS41Z	154	6,06	0,73	1,61	0,7	0,03	PG	11785	18,27
P31-LEFT HAND REDUCER 300 / 200 PG	AHS47Z	204	8,03	0,93	2,05	0,7	0,03	PG	15700	24,34

#### ■ 2.2 LEFT HAND REDUCER blind HDG

Description	Code	Width min.		Weight		Thickness		Coating	Section min.	
		(mm)	(inch)	(Kg)	(lb)	(mm)	(inch)		(mm <sup>2</sup> )	(inch <sup>2</sup> )
P31-LEFT HAND REDUCER 100 / 75 HDG	AHS27C	81	3,19	0,54	1,19	0,7	0,03	HDG	6069	9,41
P31-LEFT HAND REDUCER 150 / 75 HDG	AHS33C	81	3,19	0,62	1,37	0,7	0,03	HDG	6069	9,41
P31-LEFT HAND REDUCER 150 / 100 HDG	AHS34C	104	4,09	0,64	1,41	0,7	0,03	HDG	7870	12,20
P31-LEFT HAND REDUCER 200 / 75 HDG	AHS38C	81	3,19	0,70	1,54	0,7	0,03	HDG	6069	9,41
P31-LEFT HAND REDUCER 200 / 100 HDG	AHS39C	104	4,09	0,72	1,59	0,7	0,03	HDG	7870	12,20
P31-LEFT HAND REDUCER 200 / 150 HDG	AHS41C	154	6,06	0,79	1,74	0,7	0,03	HDG	11785	18,27
P31-LEFT HAND REDUCER 300 / 200 HDG	AHS47C	204	8,03	1,01	2,23	0,7	0,03	HDG	15700	24,34

#### ■ 2.3 LEFT HAND REDUCER blind BLUE

Description	Code	Width min.		Weight		Thickness		Coating	Section min.	
		(mm)	(inch)	(Kg)	(lb)	(mm)	(inch)		(mm <sup>2</sup> )	(inch <sup>2</sup> )
P31-LEFT HAND REDUCER 100 / 75 BLUE	AHS27C	81	3,19	0,54	1,19	0,7	0,03	BLUE	6069	9,41
P31-LEFT HAND REDUCER 150 / 75 BLUE	AHS33C	81	3,19	0,62	1,37	0,7	0,03	BLUE	6069	9,41
P31-LEFT HAND REDUCER 150 / 100 BLUE	AHS34C	104	4,09	0,64	1,41	0,7	0,03	BLUE	7870	12,20
P31-LEFT HAND REDUCER 200 / 75 BLUE	AHS38C	81	3,19	0,70	1,54	0,7	0,03	BLUE	6069	9,41
P31-LEFT HAND REDUCER 200 / 100 BLUE	AHS39C	104	4,09	0,72	1,59	0,7	0,03	BLUE	7870	12,20
P31-LEFT HAND REDUCER 200 / 150 BLUE	AHS41C	154	6,06	0,79	1,74	0,7	0,03	BLUE	11785	18,27
P31-LEFT HAND REDUCER 300 / 200 BLUE	AHS47C	204	8,03	1,01	2,23	0,7	0,03	BLUE	15700	24,34

P31-LEFT HAND REDUCER H75 + COVER  
P31-RIGHT HAND REDUCER H75 + COVER

Reference(s):

AHS../27Z/33Z/34Z/38Z/39Z/41Z/47Z  
AHS../27C/33C/34C/38C/39C/41C/47C  
AHS../27G/33G/34G/38G/39G/41G/47G  
AHD../27Z/33Z/34Z/38Z/39Z/41Z/47Z  
AHD../27C/33C/34C/38C/39C/41C/47C  
AHD../27G/33G/34G/38G/39G/41G/47G

■ 2.4 RIGHT HAND REDUCER blind PG

Description	Code	Width min.		Weight		Thickness		Coating	Section min.	
		(mm)	(inch)	(Kg)	(lb)	(mm)	(inch)		(mm <sup>2</sup> )	(inch <sup>2</sup> )
P31-RIGHT HAND REDUCER 100 / 75 PG	AHD27Z	81	3,19	0,50	1,10	0,7	0,03	PG	6069	9,41
P31-RIGHT HAND REDUCER 150 / 75 PG	AHD33Z	81	3,19	0,57	1,26	0,7	0,03	PG	6069	9,41
P31-RIGHT HAND REDUCER 150 / 100 PG	AHD34Z	104	4,09	0,60	1,32	0,7	0,03	PG	7870	12,20
P31-RIGHT HAND REDUCER 200 / 75 PG	AHD38Z	81	3,19	0,65	1,43	0,7	0,03	PG	6069	9,41
P31-RIGHT HAND REDUCER 200 / 100 PG	AHD39Z	104	4,09	0,67	1,48	0,7	0,03	PG	7870	12,20
P31-RIGHT HAND REDUCER 200 / 150 PG	AHD41Z	154	6,06	0,73	1,61	0,7	0,03	PG	11785	18,27
P31-RIGHT HAND REDUCER 300 / 200 PG	AHD47Z	204	8,03	0,93	2,05	0,7	0,03	PG	15700	24,34

■ 2.5 RIGHT HAND REDUCER blind HDG

Description	Code	Width min.		Weight		Thickness		Coating	Section min.	
		(mm)	(inch)	(Kg)	(lb)	(mm)	(inch)		(mm <sup>2</sup> )	(inch <sup>2</sup> )
P31-RIGHT HAND REDUCER 100 / 75 HDG	AHD27C	81	3,19	0,54	1,19	0,7	0,03	HDG	6069	9,41
P31-RIGHT HAND REDUCER 150 / 75 HDG	AHD33C	81	3,19	0,62	1,37	0,7	0,03	HDG	6069	9,41
P31-RIGHT HAND REDUCER 150 / 100 HDG	AHD34C	104	4,09	0,64	1,41	0,7	0,03	HDG	7870	12,20
P31-RIGHT HAND REDUCER 200 / 75 HDG	AHD38C	81	3,19	0,70	1,54	0,7	0,03	HDG	6069	9,41
P31-RIGHT HAND REDUCER 200 / 100 HDG	AHD39C	104	4,09	0,72	1,59	0,7	0,03	HDG	7870	12,20
P31-RIGHT HAND REDUCER 200 / 150 HDG	AHD41C	154	6,06	0,79	1,74	0,7	0,03	HDG	11785	18,27
P31-RIGHT HAND REDUCER 300 / 200 HDG	AHD47C	204	8,03	1,01	2,23	0,7	0,03	HDG	15700	24,34

■ 2.6 RIGHT HAND REDUCER blind BLUE

Description	Code	Width min.		Weight		Thickness		Coating	Section min.	
		(mm)	(inch)	(Kg)	(lb)	(mm)	(inch)		(mm <sup>2</sup> )	(inch <sup>2</sup> )
P31-RIGHT HAND REDUCER 100 / 75 BLUE	AHD27G	81	3,19	0,54	1,19	0,7	0,03	BLUE	6069	9,41
P31-RIGHT HAND REDUCER 150 / 75 BLUE	AHD33G	81	3,19	0,62	1,37	0,7	0,03	BLUE	6069	9,41
P31-RIGHT HAND REDUCER 150 / 100 BLUE	AHD34G	104	4,09	0,64	1,41	0,7	0,03	BLUE	7870	12,20
P31-RIGHT HAND REDUCER 200 / 75 BLUE	AHD38G	81	3,19	0,70	1,54	0,7	0,03	BLUE	6069	9,41
P31-RIGHT HAND REDUCER 200 / 100 BLUE	AHD39G	104	4,09	0,72	1,59	0,7	0,03	BLUE	7870	12,20
P31-RIGHT HAND REDUCER 200 / 150 BLUE	AHD41G	154	6,06	0,79	1,74	0,7	0,03	BLUE	11785	18,27
P31-RIGHT HAND REDUCER 300 / 200 BLUE	AHD47G	204	8,03	1,01	2,23	0,7	0,03	BLUE	15700	24,34

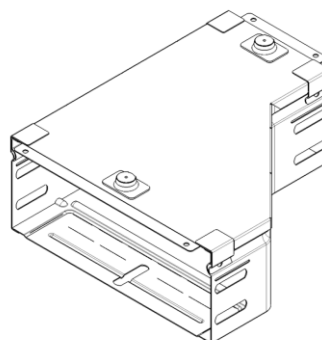
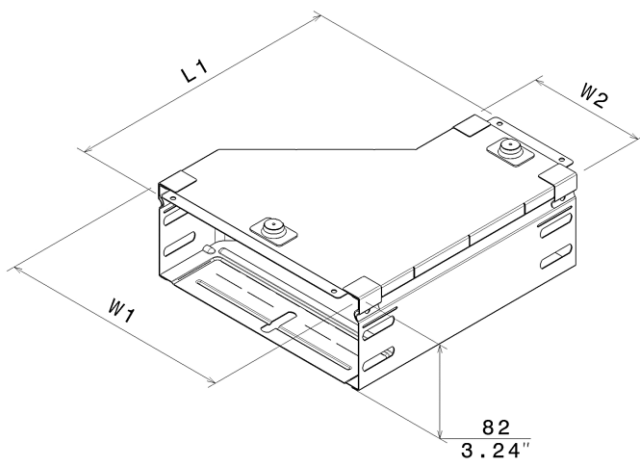
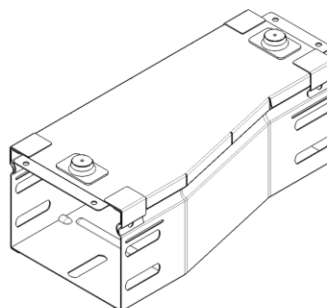
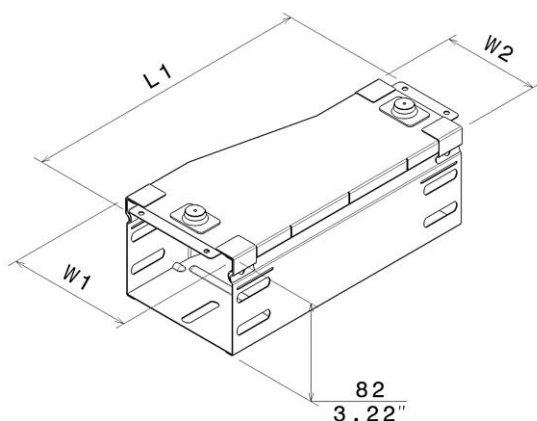
P31-LEFT HAND REDUCER H75 + COVER  
P31-RIGHT HAND REDUCER H75 + COVER

Reference(s): AHS../27Z/33Z/34Z/38Z/39Z/41Z/47Z  
AHS../27C/33C/34C/38C/39C/41C/47C  
AHS../27G/33G/34G/38G/39G/41G/47G  
AHD../27Z/33Z/34Z/38Z/39Z/41Z/47Z  
AHD../27C/33C/34C/38C/39C/41C/47C  
AHD../27G/33G/34G/38G/39G/41G/47G

3. DIMENSIONS (mm/inch)

■ 3.1 Fitting dimensions

Description	Width 1		Width 2		L1	
	(mm)	(inch)	(mm)	(inch)	(mm)	(inch)
P31-LEFT-RIGHT HAND REDUCER 100X 75	104	4,09	81	3,19	240	9,45
P31-LEFT-RIGHT HAND REDUCER 150X 75	154	6,06	81	3,19	240	9,45
P31-LEFT-RIGHT HAND REDUCER 150X100	154	6,06	104	4,09	240	9,45
P31-LEFT-RIGHT HAND REDUCER 200X 75	204	8,03	81	3,19	240	9,45
P31-LEFT-RIGHT HAND REDUCER 200X100	204	8,03	104	4,09	240	9,45
P31-LEFT-RIGHT HAND REDUCER 200X150	204	8,03	154	6,06	240	9,45
P31-LEFT-RIGHT HAND REDUCER 300X200	304	11,97	204	8,03	240	9,45



## 4. INSTALLATION

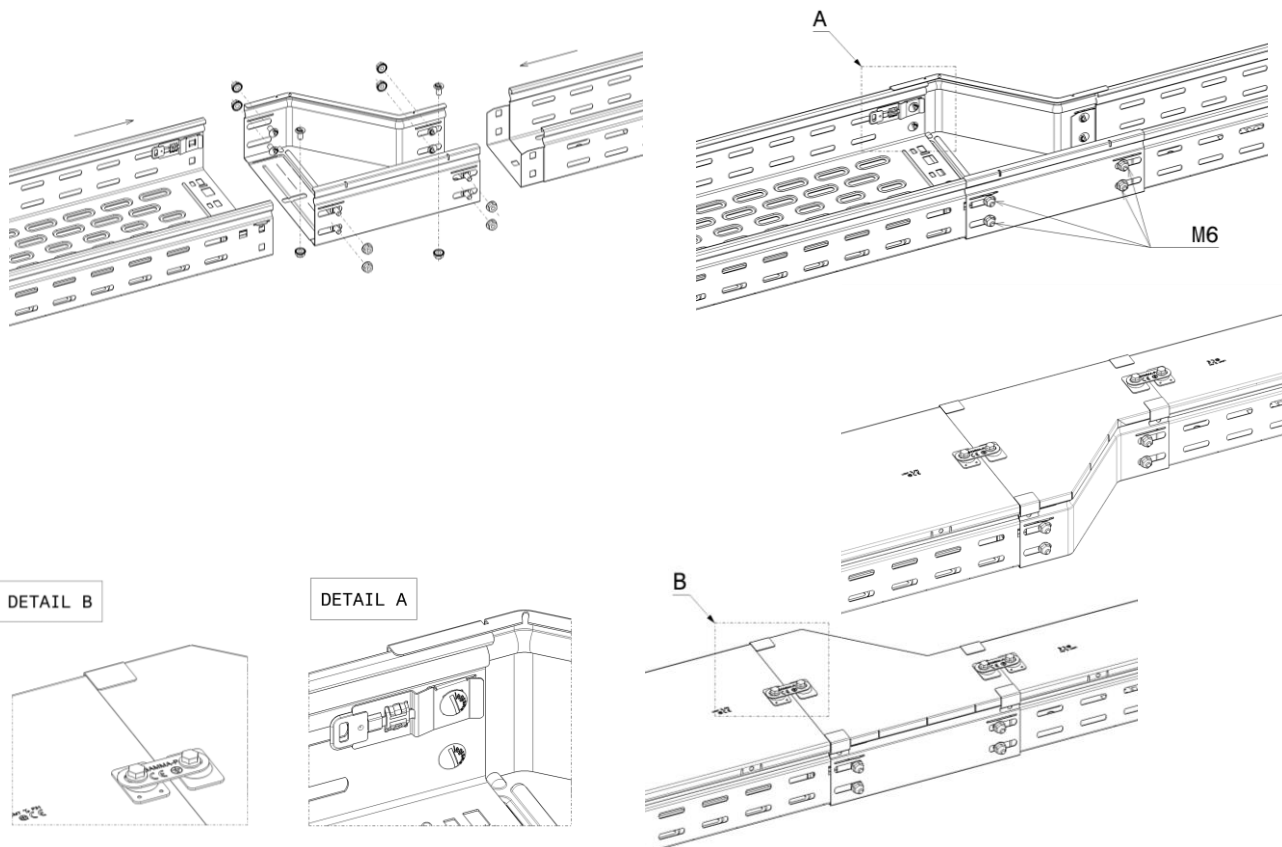
### 4.1 Screw and tools

Use screws M6x12 tightened at 11Nm

Reference(s): 341895 / 03V1M610Z (PG)  
485035 (Zn-Ni)  
346895/ 03V1M610L (SS316L)  
341708 / 31X99X999 (PG)  
346474 / 31X99X99X (SS316L)

### 4.2 Fitting to cable tray

Left-Right hand Reducer 75 are assembled using 10 screws M6x12 on the side and on the bottom.  
The screws in the middle is optional up to and included width 300mm.



## 5. TECHNICAL DATA

### 5.1 Climatic characteristics

Storage and operating temperature: - 20° C à + 120° C

### 5.2 Material characteristics

Material finish	Material	Standard	Resistance class against corrosion
PG	DX51D + Z200	EN 10346	Classe 3 - CEI 61537
BLUE	DX51D + Z200	EN 10346	Classe 3 - CEI 61537
HDG	DC 01	EN 10130	Classe 6 - CEI 61537
SS304	X5CrNi18-10	EN 10 088-2	Classe 9A - CEI 61537
SS316L	X2CrNiMo17-12-2	EN 10 088-2	Classe 9B - CEI 61537

## 6. CONFORMITY - CERTIFICATION

Comply with CEI 61537 Cable tray systems

Certification: CE, IMQ