

## P31-CONCENTRIC REDUCER H100 + COVER

Reference(s): 4803../18/19/20/21/22  
4823../18/19/20/21/22  
4843../17/18/19/21/22



### 1. USE

Concentric Reducer in H100 with blind bottom.

### 2. RANGE BLIND

#### ■ 2.1 CONCENTRIC REDUCER blind PG

Description	Code	Width min.		Weight		Thickness		Coating	Section min.	
		(mm)	(inch)	(Kg)	(lb)	(mm)	(inch)		(mm <sup>2</sup> )	(inch <sup>2</sup> )
P31-CONCENTRIC REDUCER 150 / 100 PG	480318	104	4,09	0,66	1,45	0,7	0,03	PG	10193	15,80
P31-CONCENTRIC REDUCER 200 / 150 PG	480319	154	6,06	0,78	1,73	0,7	0,03	PG	15258	23,65
P31-CONCENTRIC REDUCER 300 / 200 PG	480320	204	8,03	0,99	2,18	0,7	0,03	PG	20323	31,50
P31-CONCENTRIC REDUCER 400 / 300 PG	480321	304	11,97	1,24	2,74	0,7	0,03	PG	30453	47,20
P31-CONCENTRIC REDUCER 500 / 400 PG	480322	404	15,91	1,50	3,31	0,7	0,03	PG	40583	62,90

#### ■ 2.2 CONCENTRIC REDUCER blind HDG

Description	Code	Width min.		Weight		Thickness		Coating	Section min.	
		(mm)	(inch)	(Kg)	(lb)	(mm)	(inch)		(mm <sup>2</sup> )	(inch <sup>2</sup> )
P31-CONCENTRIC REDUCER 150 / 100 HDG	482318	104	4,09	0,72	1,59	0,7	0,03	HDG	10193	15,80
P31-CONCENTRIC REDUCER 200 / 150 HDG	482319	154	6,06	0,86	1,90	0,7	0,03	HDG	15258	23,65
P31-CONCENTRIC REDUCER 300 / 200 HDG	482320	204	8,03	1,09	2,39	0,7	0,03	HDG	20323	31,50
P31-CONCENTRIC REDUCER 400 / 300 HDG	482321	304	11,97	1,37	3,02	0,7	0,03	HDG	30453	47,20
P31-CONCENTRIC REDUCER 500 / 400 HDG	482322	404	15,91	1,65	3,64	0,7	0,03	HDG	40583	62,90

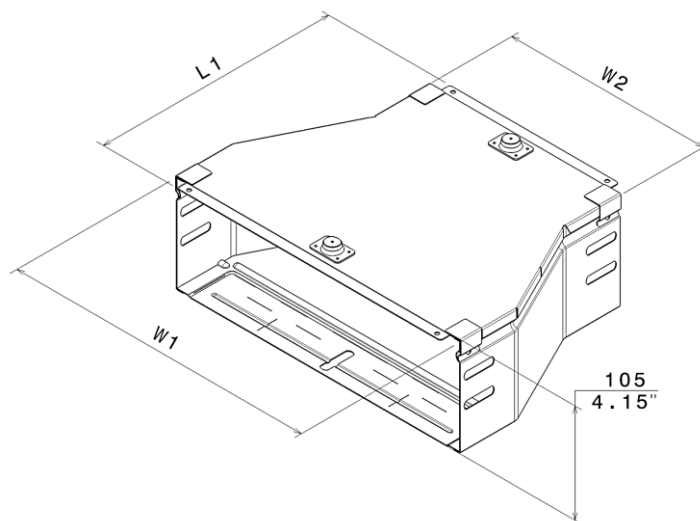
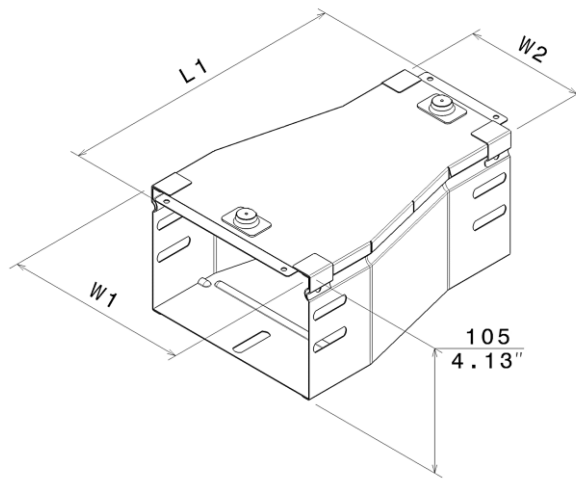
#### ■ 2.3 CONCENTRIC REDUCER blind BLUE

Description	Code	Width min.		Weight		Thickness		Coating	Section min.	
		(mm)	(inch)	(Kg)	(lb)	(mm)	(inch)		(mm <sup>2</sup> )	(inch <sup>2</sup> )
P31-CONCENTRIC REDUCER 150 / 100 BLUE	484317	104	4,09	0,66	1,45	0,7	0,03	BLUE	10193	15,80
P31-CONCENTRIC REDUCER 200 / 150 BLUE	484318	154	6,06	0,78	1,73	0,7	0,03	BLUE	15258	23,65
P31-CONCENTRIC REDUCER 300 / 200 BLUE	484319	204	8,03	0,99	2,18	0,7	0,03	BLUE	20323	31,50
P31-CONCENTRIC REDUCER 400 / 300 BLUE	484321	304	11,97	1,24	2,74	0,7	0,03	BLUE	30453	47,20
P31-CONCENTRIC REDUCER 500 / 400 BLUE	484322	404	15,91	1,50	3,31	0,7	0,03	BLUE	40583	62,90

**3. DIMENSIONS (mm/inch)**

■ **3.1 Fitting dimensions**

Description	Width 1		Width 2		L1	
	(mm)	(inch)	(mm)	(inch)	(mm)	(inch)
P31-CONCENTRIC REDUCER 150/100 H100	150	5,91	104	4,09	240	9,45
P31-CONCENTRIC REDUCER 200/150 H100	204	8,03	154	6,06	240	9,45
P31-CONCENTRIC REDUCER 300/200 H100	304	11,97	204	8,03	240	9,45
P31-CONCENTRIC REDUCER 400/300 H100	404	15,91	304	11,97	240	9,45
P31-CONCENTRIC REDUCER 500/400 H100	504	19,84	404	15,91	240	9,45



## 4. INSTALLATION

### ■ 4.1 Screw and tools

Use screws M6x12 tightened at 11Nm

Reference(s): 341895 / 03V1M610Z (PG)

485035 (Zn-Ni)

346895/ 03V1M610L (SS316L)

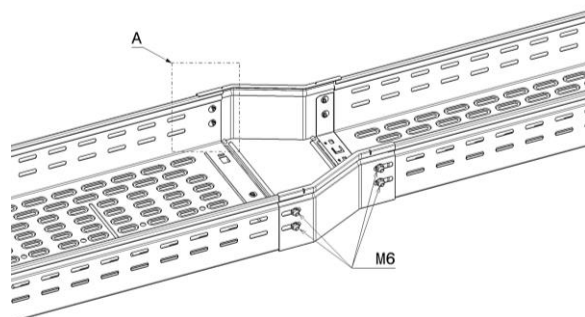
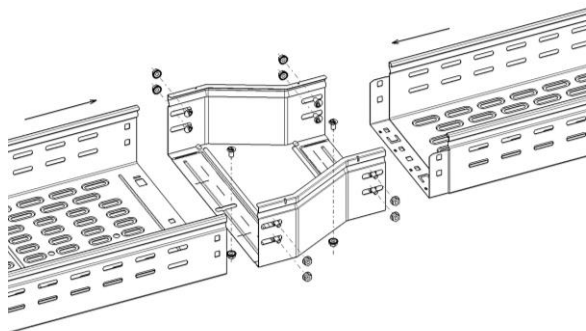
341708 / 31X99X999 (PG)

346474 / 31X99X99X (SS316L)

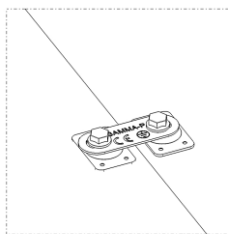
### ■ 4.2 Fitting to cable tray

Concentric Reducer 100 are assembled using 10 screws M6x12 on the side and on the bottom.

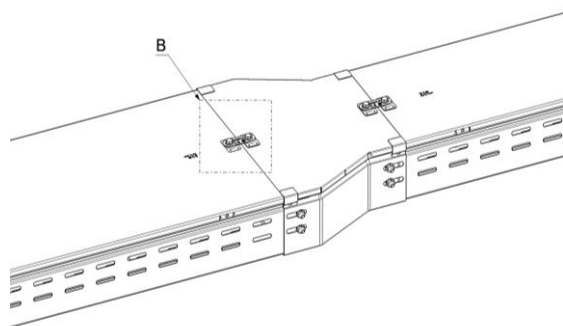
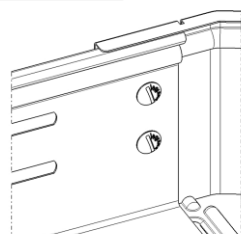
The screws in the middle is optional up to and included width 300mm.



DETAIL B



DETAIL A



## 5. TECHNICAL DATA

### ■ 5.1 Climatic characteristics

Storage and operating temperature: - 20° C à + 120° C

### ■ 5.2 Material characteristics

Material finish	Material	Standard	Resistance class against corrosion
PG	DX51D + Z200	EN 10346	Classe 3 - CEI 61537
BLUE	DX51D + Z200	EN 10346	Classe 3 - CEI 61537
HDG	DC 01	EN 10130	Classe 6 - CEI 61537
SS304	X5CrNi18-10	EN 10 088-2	Classe 9A - CEI 61537
SS316L	X2CrNiMo17-12-2	EN 10 088-2	Classe 9B - CEI 61537

## 6. CONFORMITY - CERTIFICATION

Comply with CEI 61537 Cable tray systems

Certification: CE, IMQ