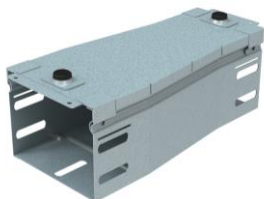


P31-CONCENTRIC REDUCER H75 + COVER

Reference(s):

AHC../27Z/33Z/34Z/38Z/39Z/41Z/47Z/49Z/53Z/57Z/58Z/59Z
AHC../27C/33C/34C/38C/39C/41C/47C/49C/53C/57C/58C/59C
AHC../27G/33G/34G/38G/39G/41G/47G/49G/53G/57G/58G/59G



1. USE

Concentric Reducer in H75 with blind bottom.

2. RANGE BLIND

■ 2.1 CONCENTRIC REDUCER blind PG

Description	Code	Width min.		Weight		Thickness		Coating	Section min.	
		(mm)	(inch)	(Kg)	(lb)	(mm)	(inch)		(mm ²)	(inch ²)
P31-CONCENTRIC REDUCER 100 / 75 PG	AHC27Z	81	3,19	0,50	1,10	0,7	0,03	PG	6069	9,41
P31-CONCENTRIC REDUCER 150 / 75 PG	AHC33Z	81	3,19	0,57	1,26	0,7	0,03	PG	6069	9,41
P31-CONCENTRIC REDUCER 150 / 100 PG	AHC34Z	104	4,09	0,60	1,32	0,7	0,03	PG	7870	12,20
P31-CONCENTRIC REDUCER 200 / 75 PG	AHC38Z	81	3,19	0,65	1,43	0,7	0,03	PG	6069	9,41
P31-CONCENTRIC REDUCER 200 / 100 PG	AHC39Z	104	4,09	0,67	1,48	0,7	0,03	PG	7870	12,20
P31-CONCENTRIC REDUCER 200 / 150 PG	AHC41Z	154	6,06	0,73	1,61	0,7	0,03	PG	11785	18,27
P31-CONCENTRIC REDUCER 300 / 200 PG	AHC47Z	204	8,03	0,93	2,05	0,7	0,03	PG	15700	24,34
P31-CONCENTRIC REDUCER 400 / 300 PG	AHC49Z	304	11,97	1,18	2,60	0,7	0,03	PG	23530	36,47
P31-CONCENTRIC REDUCER 500 / 400 PG	AHC53Z	404	15,91	1,35	2,98	0,7	0,03	PG	31360	48,61
P31-CONCENTRIC REDUCER 600 / 500 PG	AHC57Z	504	19,84	1,44	3,17	0,7	0,03	PG	39190	60,74
P31-CONCENTRIC REDUCER 600 / 400 PG	AHC58Z	404	15,91	1,60	3,53	0,7	0,03	PG	31360	48,61
P31-CONCENTRIC REDUCER 500 / 300 PG	AHC59Z	304	11,97	1,70	3,75	0,7	0,03	PG	23530	36,47

■ 2.2 CONCENTRIC REDUCER blind HDG

Description	Code	Width min.		Weight		Thickness		Coating	Section min.	
		(mm)	(inch)	(Kg)	(lb)	(mm)	(inch)		(mm ²)	(inch ²)
P31-CONCENTRIC REDUCER 100 / 75 HDG	AHC27C	81	3,19	0,54	1,19	0,7	0,03	HDG	6069	9,41
P31-CONCENTRIC REDUCER 150 / 75 HDG	AHC33C	81	3,19	0,62	1,37	0,7	0,03	HDG	6069	9,41
P31-CONCENTRIC REDUCER 150 / 100 HDG	AHC34C	104	4,09	0,64	1,41	0,7	0,03	HDG	7870	12,20
P31-CONCENTRIC REDUCER 200 / 75 HDG	AHC38C	81	3,19	0,70	1,54	0,7	0,03	HDG	6069	9,41
P31-CONCENTRIC REDUCER 200 / 100 HDG	AHC39C	104	4,09	0,72	1,59	0,7	0,03	HDG	7870	12,20
P31-CONCENTRIC REDUCER 200 / 150 HDG	AHC41C	154	6,06	0,79	1,74	0,7	0,03	HDG	11785	18,27
P31-CONCENTRIC REDUCER 300 / 200 HDG	AHC47C	204	8,03	1,01	2,23	0,7	0,03	HDG	15700	24,34
P31-CONCENTRIC REDUCER 400 / 300 HDG	AHC49C	304	11,97	1,29	2,84	0,7	0,03	HDG	23530	36,47
P31-CONCENTRIC REDUCER 500 / 400 HDG	AHC53C	404	15,91	1,47	3,24	0,7	0,03	HDG	31360	48,61
P31-CONCENTRIC REDUCER 600 / 500 HDG	AHC57C	504	19,84	1,57	3,46	0,7	0,03	HDG	39190	60,74
P31-CONCENTRIC REDUCER 600 / 400 HDG	AHC58C	404	15,91	1,75	3,86	0,7	0,03	HDG	31360	48,61
P31-CONCENTRIC REDUCER 500 / 300 HDG	AHC59C	304	11,97	1,85	4,08	0,7	0,03	HDG	23530	36,47

P31-CONCENTRIC REDUCER H75 + COVER

Reference(s):

AHC../27Z/33Z/34Z/38Z/39Z/41Z/47Z/49Z/53Z/57Z/58Z/59Z
 AHC../27C/33C/34C/38C/39C/41C/47C/49C/53C/57C/58C/59C
 AHC../27G/33G/34G/38G/39G/41G/47G/49G/53G/57G/58G/59G

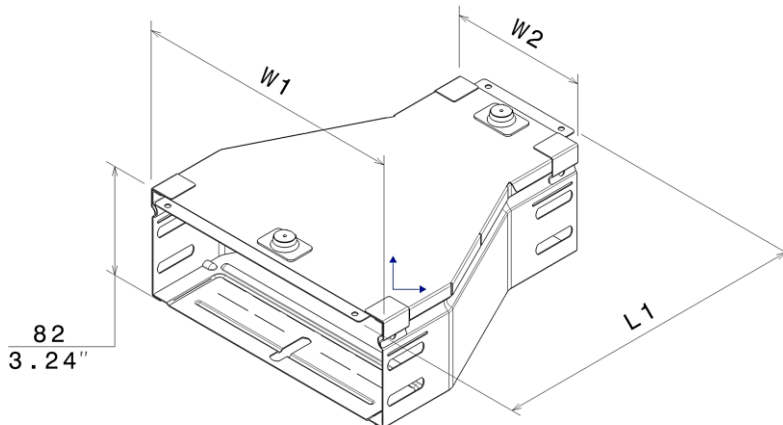
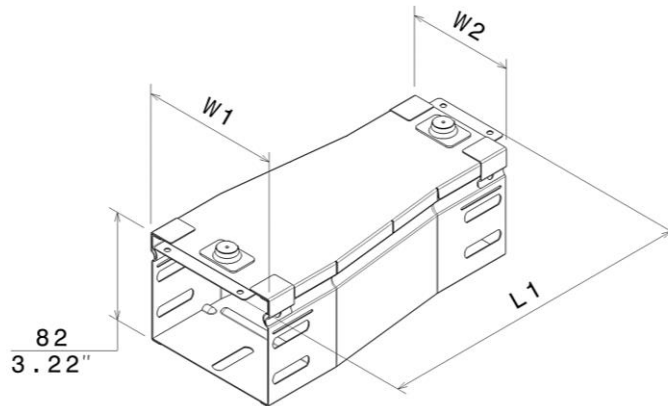
■ 2.3 CONCENTRIC REDUCER blind BLUE

Description	Code	Width min.		Weight		Thickness		Coating	Section min.	
		(mm)	(inch)	(Kg)	(lb)	(mm)	(inch)		(mm²)	(inch²)
P31-CONCENTRIC REDUCER 100 / 75 BLUE	AHC27G	81	3,19	0,50	1,10	0,7	0,03	BLUE	6069	9,41
P31-CONCENTRIC REDUCER 150 / 75 BLUE	AHC33G	81	3,19	0,57	1,26	0,7	0,03	BLUE	6069	9,41
P31-CONCENTRIC REDUCER 150 / 100 BLUE	AHC34G	104	4,09	0,60	1,32	0,7	0,03	BLUE	7870	12,20
P31-CONCENTRIC REDUCER 200 / 75 BLUE	AHC38G	81	3,19	0,65	1,43	0,7	0,03	BLUE	6069	9,41
P31-CONCENTRIC REDUCER 200 / 100 BLUE	AHC39G	104	4,09	0,67	1,48	0,7	0,03	BLUE	7870	12,20
P31-CONCENTRIC REDUCER 200 / 150 BLUE	AHC41G	154	6,06	0,73	1,60	0,7	0,03	BLUE	11785	18,27
P31-CONCENTRIC REDUCER 300 / 200 BLUE	AHC47G	204	8,03	0,93	2,04	0,7	0,03	BLUE	15700	24,34
P31-CONCENTRIC REDUCER 400 / 300 BLUE	AHC49G	304	11,97	1,18	2,61	0,7	0,03	BLUE	23530	36,47
P31-CONCENTRIC REDUCER 500 / 400 BLUE	AHC53G	404	15,91	1,35	2,97	0,7	0,03	BLUE	31360	48,61
P31-CONCENTRIC REDUCER 600 / 500 BLUE	AHC57G	504	19,84	1,44	3,18	0,7	0,03	BLUE	39190	60,74
P31-CONCENTRIC REDUCER 600 / 400 BLUE	AHC58G	404	15,91	1,60	3,53	0,7	0,03	BLUE	31360	48,61
P31-CONCENTRIC REDUCER 500 / 300 BLUE	AHC59G	304	11,97	1,70	3,74	0,7	0,03	BLUE	23530	36,47

3. DIMENSIONS (mm/inch)

■ 3.1 Fitting dimensions

Description	Width 1		Width 2		L1	
	(mm)	(inch)	(mm)	(inch)	(mm)	(inch)
P31-CONCENTRIC REDUCER 100 / 75	104	4,09	81	3,19	240	9,45
P31-CONCENTRIC REDUCER 150 / 75	154	6,06	81	3,19	240	9,45
P31-CONCENTRIC REDUCER 150 / 100	154	6,06	104	4,09	240	9,45
P31-CONCENTRIC REDUCER 200 / 75	204	8,03	81	3,19	240	9,45
P31-CONCENTRIC REDUCER 200 / 100	204	8,03	104	4,09	240	9,45
P31-CONCENTRIC REDUCER 200 / 150	204	8,03	154	6,06	240	9,45
P31-CONCENTRIC REDUCER 300 / 200	304	11,97	204	8,03	240	9,45
P31-CONCENTRIC REDUCER 400 / 300	404	15,91	304	11,97	240	9,45
P31-CONCENTRIC REDUCER 500 / 400	504	19,84	404	15,91	240	9,45
P31-CONCENTRIC REDUCER 600 / 500	604	23,78	504	19,84	240	9,45
P31-CONCENTRIC REDUCER 600 / 400	604	23,78	404	15,91	240	9,45
P31-CONCENTRIC REDUCER 500 / 300	504	19,84	304	11,97	240	9,45



4. INSTALLATION

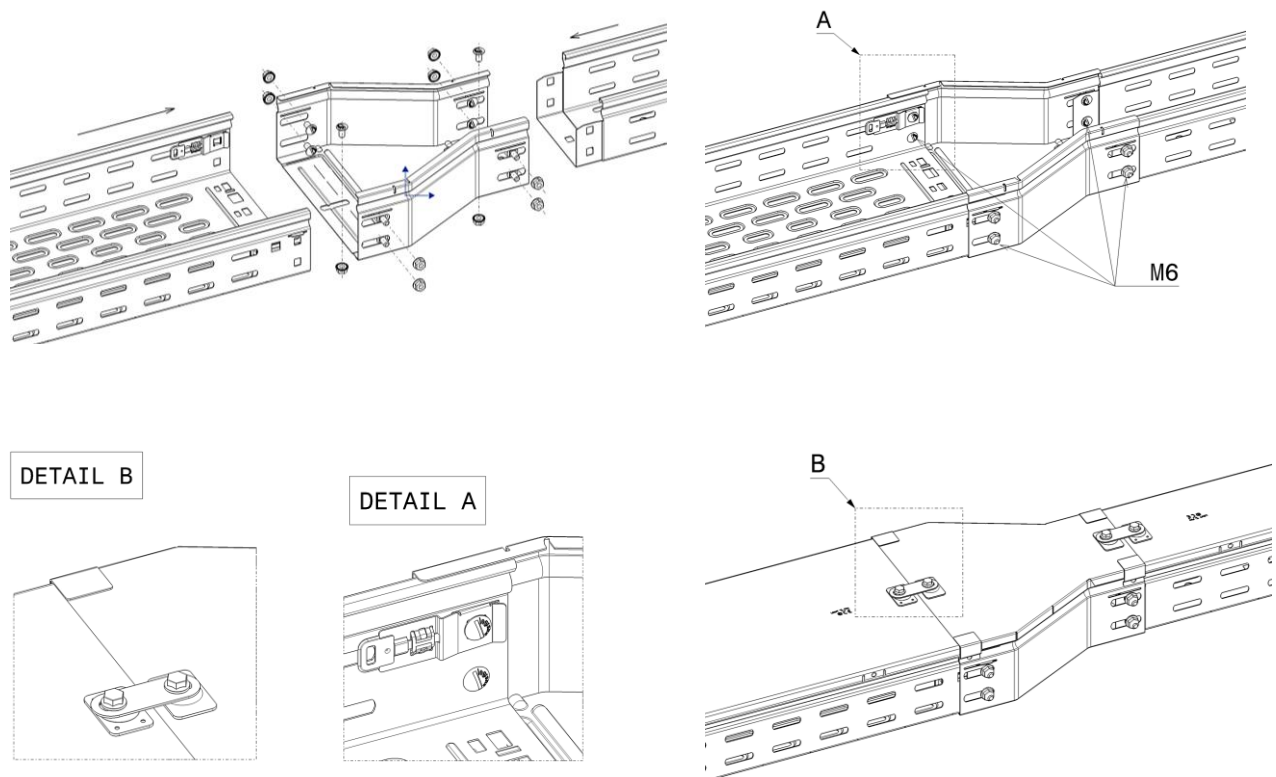
■ **4.1 Screw and tools**

Use screws M6x12 tightened at 11Nm

- Reference(s): 341895 / 03V1M610Z (PG)
 485035 (Zn-Ni)
 346895/ 03V1M610L (SS316L)
 341708 / 31X99X999 (PG)
 346474 / 31X99X99X (SS316L)

■ **4.2 Fitting to cable tray**

Concentric Reducer 75 are assembled using 10 screws M6x12 on the side and on the bottom.
 The screws in the middle is optional up to and included width 300mm.



5. TECHNICAL DATA

■ **5.1 Climatic characteristics**

Storage and operating temperature: - 20° C à + 120° C

■ **5.2 Material characteristics**

Material finish	Material	Standard	Resistance class against corrosion
PG	DX51D + Z200	EN 10346	Classe 3 - CEI 61537
BLUE	DX51D + Z200	EN 10346	Classe 3 - CEI 61537
HDG	DC 01	EN 10130	Classe 6 - CEI 61537
SS304	X5CrNi18-10	EN 10 088-2	Classe 9A - CEI 61537
SS316L	X2CrNiMo17-12-2	EN 10 088-2	Classe 9B - CEI 61537

6. CONFORMITY - CERTIFICATION

Comply with CEI 61537 Cable tray systems
 Certification: CE, IMQ