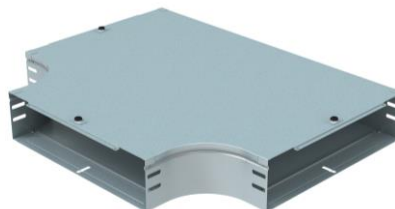


## P31 - EQUAL TEE H100 + COVER

Reference(s): 4815../82/83/84/85/86/87/88  
4825../82/83/84/85/86/87/735  
4845../82/83/84/85/86/87



### 1. USE

Equal Tee in H100 with blind bottom.

### 2. RANGE BLIND

#### ■ 2.1 EQUAL TEE H100 blind PG

Description	Code	Width		Weight		Thickness		Coating	Section	
		(mm)	(inch)	(Kg)	(lb)	(mm)	(inch)		(mm <sup>2</sup> )	(inch <sup>2</sup> )
P31-EQUAL TEE 100X100 PG	481582	100	3,94	1,35	2,99	0,7	0,03	PG	10193	15,80
P31-EQUAL TEE 100X150 PG	481583	150	5,91	1,79	3,94	0,7	0,03	PG	15258	23,65
P31-EQUAL TEE 100X200 PG	481584	200	7,87	2,28	5,02	0,7	0,03	PG	20323	31,50
P31-EQUAL TEE 100X300 PG	481585	300	11,81	3,42	7,54	0,7	0,03	PG	30453	47,20
P31-EQUAL TEE 100X400 PG	481586	400	15,75	4,76	10,50	0,7	0,03	PG	40583	62,90
P31-EQUAL TEE 100X500 PG	481587	500	19,69	6,33	13,95	0,7	0,03	PG	50713	78,61
P31-EQUAL TEE 100X600 PG	481588	600	23,62	8,11	17,88	0,7	0,03	PG	60843	94,31

#### ■ 2.2 EQUAL TEE H100 blind HDG

Description	Code	Width		Weight		Thickness		Coating	Section	
		(mm)	(inch)	(Kg)	(lb)	(mm)	(inch)		(mm <sup>2</sup> )	(inch <sup>2</sup> )
P31-EQUAL TEE 100X100 HDG	482582	100	3,94	1,49	3,28	0,7	0,03	HDG	10193	15,80
P31-EQUAL TEE 100X150 HDG	482583	150	5,91	1,97	4,34	0,7	0,03	HDG	15258	23,65
P31-EQUAL TEE 100X200 HDG	482584	200	7,87	2,51	5,52	0,7	0,03	HDG	20323	31,50
P31-EQUAL TEE 100X300 HDG	482585	300	11,81	3,76	8,30	0,7	0,03	HDG	30453	47,20
P31-EQUAL TEE 100X400 HDG	482586	400	15,75	5,24	11,55	0,7	0,03	HDG	40583	62,90
P31-EQUAL TEE 100X500 HDG	482587	500	19,69	6,96	15,34	0,7	0,03	HDG	50713	78,61
P31-EQUAL TEE 100X600 HDG	482735	600	23,62	8,92	19,67	0,7	0,03	HDG	60843	94,31

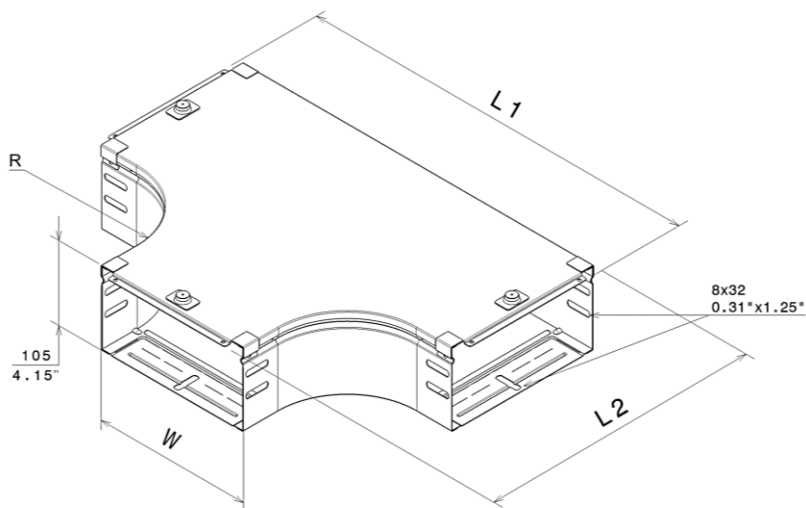
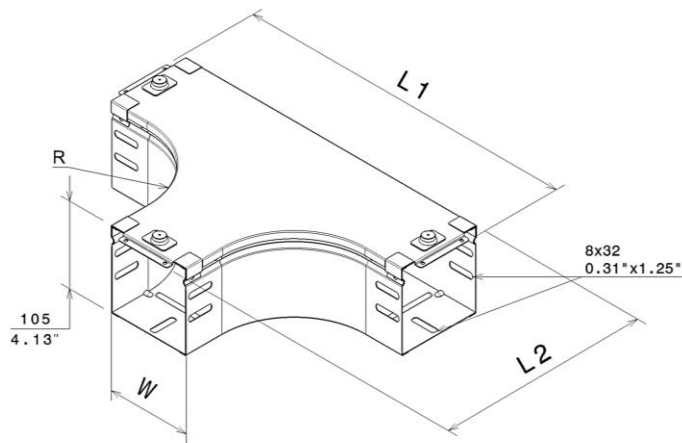
#### ■ 2.3 EQUAL TEE H100 blind BLUE

Description	Code	Width		Weight		Thickness		Coating	Section	
		(mm)	(inch)	(Kg)	(lb)	(mm)	(inch)		(mm <sup>2</sup> )	(inch <sup>2</sup> )
P31-EQUAL TEE 100X100 BLUE	484582	100	3,94	1,35	2,99	0,7	0,03	BLUE	10193	15,80
P31-EQUAL TEE 100X150 BLUE	484583	150	5,91	1,79	3,94	0,7	0,03	BLUE	15258	23,65
P31-EQUAL TEE 100X200 BLUE	484584	200	7,87	2,28	5,02	0,7	0,03	BLUE	20323	31,50
P31-EQUAL TEE 100X300 BLUE	484585	300	11,81	3,42	7,54	0,7	0,03	BLUE	30453	47,20
P31-EQUAL TEE 100X400 BLUE	484586	400	15,75	4,76	10,50	0,7	0,03	BLUE	40583	62,90
P31-EQUAL TEE 100X500 BLUE	484587	500	19,69	6,33	13,95	0,7	0,03	BLUE	50713	78,61

**3. DIMENSIONS (mm/inch)**

■ **3.1 Fitting dimensions**

Description	Width		Radius		L1		L2	
	(mm)	(inch)	(mm)	(inch)	(mm)	(inch)	(mm)	(inch)
P31-EQUAL TEE 100X100	104	4,09	100	3,94	419	16,50	261	10,28
P31-EQUAL TEE 100X150	154	6,06	100	3,94	469	18,46	311	12,24
P31-EQUAL TEE 100X200	204	8,03	100	3,94	519	20,43	361	14,21
P31-EQUAL TEE 100X300	304	11,97	100	3,94	619	24,37	461	18,15
P31-EQUAL TEE 100X400	404	15,91	100	3,94	719	28,31	561	22,09
P31-EQUAL TEE 100X500	504	19,84	100	3,94	819	32,24	661	26,02
P31-EQUAL TEE 100X600	604	23,78	100	3,94	919	36,18	761	29,96



## 4. INSTALLATION

### ■ 4.1 Screw and tools

Use screws M6x12 tightened at 11Nm

Reference(s): 341895 / 03V1M610Z (PG)

485035 (Zn-Ni)

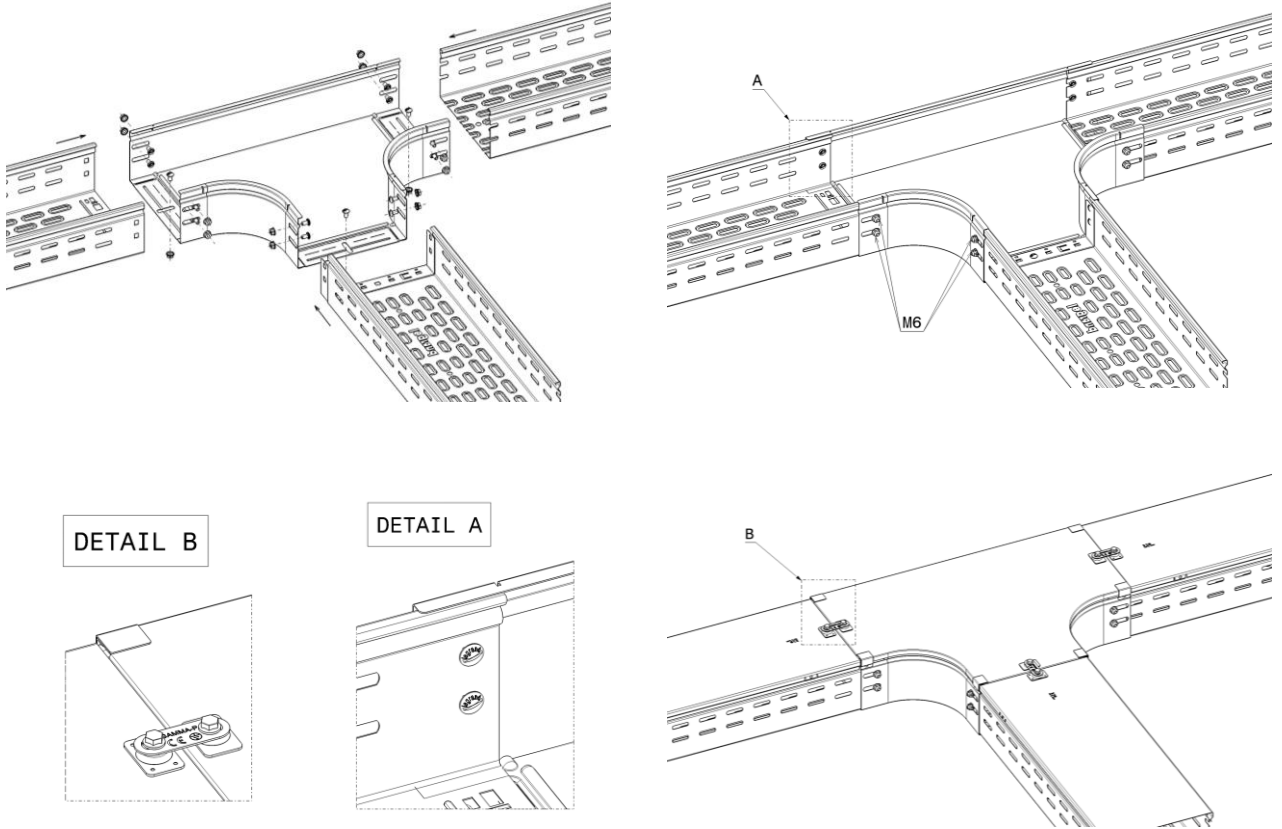
346895/ 03V1M610L (SS316L)

341708 / 31X99X999 (PG)

346474 / 31X99X99X (SS316L)

### ■ 4.2 Fitting to cable tray

Equal Tee height 100 are assembled using 15 screws M6x12 on the side and on the bottom.  
 The screws in the middle is optional up to and included width 300mm.



## 5. TECHNICAL DATA

### ■ 5.1 Climatic characteristics

Storage and operating temperature: - 20° C à + 120° C

### ■ 5.2 Material characteristics

Material finish	Material	Standard	Resistance class against corrosion
PG	DX51D + Z200	EN 10346	Classe 3 - CEI 61537
BLUE	DX51D + Z200	EN 10346	Classe 3 - CEI 61537
HDG	DC 01	EN 10130	Classe 6 - CEI 61537
SS304	X5CrNi18-10	EN 10 088-2	Classe 9A - CEI 61537
SS316L	X2CrNiMo17-12-2	EN 10 088-2	Classe 9B - CEI 61537

## 6. CONFORMITY - CERTIFICATION

Comply with CEI 61537 Cable tray systems

Certification: CE, IMQ