

P31 - BRANCH H75 + COVER

Reference(s): AV../075Z/100Z/150Z/200Z/300Z/400Z/500Z/600Z
AV../075C/100C/150C/200C/300C/400C/500C/600C
AV../075G/100G/150G/200G/300G/400G/500G/600G



1. USE

Branch in H75 with blind bottom.

2. RANGE BLIND

■ 2.1 BRANCH H75 blind PG

Description	Code	Width		Weight		Thickness		Coating	Section	
		(mm)	(inch)	(Kg)	(lb)	(mm)	(inch)		(mm ²)	(inch ²)
P31-BRANCH 75X 75 PG	AV075Z	77	3,03	6	12,99	0,7	0,03	PG	6069	9,41
P31-BRANCH 75X100 PG	AV100Z	100	3,94	7	14,33	0,7	0,03	PG	7870	12,20
P31-BRANCH 75X150 PG	AV150Z	150	5,91	7	16,27	0,7	0,03	PG	11785	18,27
P31-BRANCH 75X200 PG	AV200Z	200	7,87	8	18,50	0,7	0,03	PG	15700	24,34
P31-BRANCH 75X300 PG	AV300Z	300	11,81	10	22,97	0,7	0,03	PG	23530	36,47
P31-BRANCH 75X400 PG	AV400Z	400	15,75	12	27,32	0,7	0,03	PG	31360	48,61
P31-BRANCH 75X500 PG	AV500Z	500	19,69	14	31,66	0,7	0,03	PG	39190	60,74
P31-BRANCH 75X600 PG	AV600Z	600	23,62	16	36,00	0,7	0,03	PG	47020	72,88

■ 2.2 BRANCH H75 blind HDG

Description	Code	Width		Weight		Thickness		Coating	Section	
		(mm)	(inch)	(Kg)	(lb)	(mm)	(inch)		(mm ²)	(inch ²)
P31-BRANCH 75X 75 HDG	AV075C	77	3,03	6	14,28	0,7	0,03	HDG	6069	9,41
P31-BRANCH 75X100 HDG	AV100C	100	3,94	7	15,76	0,7	0,03	HDG	7870	12,20
P31-BRANCH 75X150 HDG	AV150C	150	5,91	8	17,90	0,7	0,03	HDG	11785	18,27
P31-BRANCH 75X200 HDG	AV200C	200	7,87	9	20,35	0,7	0,03	HDG	15700	24,34
P31-BRANCH 75X300 HDG	AV300C	300	11,81	11	25,27	0,7	0,03	HDG	23530	36,47
P31-BRANCH 75X400 HDG	AV400C	400	15,75	14	30,05	0,7	0,03	HDG	31360	48,61
P31-BRANCH 75X500 HDG	AV500C	500	19,69	16	34,82	0,7	0,03	HDG	39190	60,74
P31-BRANCH 75X600 HDG	AV600C	600	23,62	18	39,60	0,7	0,03	HDG	47020	72,88

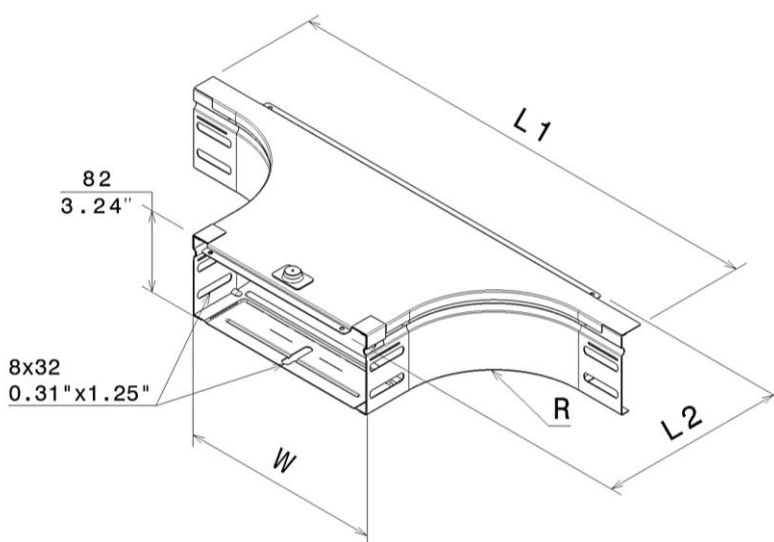
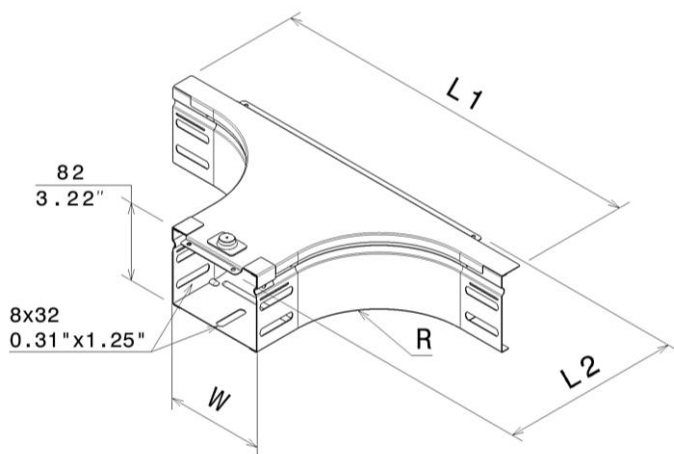
■ 2.3 BRANCH H75 blind BLUE

Description	Code	Width		Weight		Thickness		Coating	Section	
		(mm)	(inch)	(Kg)	(lb)	(mm)	(inch)		(mm ²)	(inch ²)
P31-BRANCH 75X 75 INOX BLUE	AV075L	77	3,03	6	12,99	0,7	0,03	BLUE	6069	9,41
P31-BRANCH 75X100 INOX BLUE	AV100L	100	3,94	7	14,33	0,7	0,03	BLUE	7870	12,20
P31-BRANCH 75X150 INOX BLUE	AV150L	150	5,91	7	16,27	0,7	0,03	BLUE	11785	18,27
P31-BRANCH 75X200 INOX BLUE	AV200L	200	7,87	8	18,50	0,7	0,03	BLUE	15700	24,34
P31-BRANCH 75X300 INOX BLUE	AV300L	300	11,81	10	22,97	0,7	0,03	BLUE	23530	36,47
P31-BRANCH 75X400 INOX BLUE	AV400L	400	15,75	12	27,32	0,7	0,03	BLUE	31360	48,61
P31-BRANCH 75X500 INOX BLUE	AV500L	500	19,69	14	31,66	0,7	0,03	BLUE	39190	60,74
P31-BRANCH 75X600 INOX BLUE	AV600L	600	23,62	16	36,00	0,7	0,03	BLUE	47020	72,88

3. DIMENSIONS (mm/inch)

■ **3.1 Fitting dimensions**

Description	Width		Radius		L1		L2	
	(mm)	(inch)	(mm)	(inch)	(mm)	(inch)	(mm)	(inch)
P31-BRANCH 75X 75	79	3,11	100	3,94	378	14,88	190	7,48
P31-BRANCH 75X100	104	4,03	100	3,94	401	15,79	190	7,48
P31-BRANCH 75X150	154	6	100	3,94	451	17,76	190	7,48
P31-BRANCH 75X200	204	7,97	100	3,94	501	19,72	190	7,48
P31-BRANCH 75X300	304	11,91	100	3,94	601	23,66	190	7,48
P31-BRANCH 75X400	404	15,84	100	3,94	701	27,60	190	7,48
P31-BRANCH 75X500	504	19,78	100	3,94	801	31,54	190	7,48
P31-BRANCH 75X600	604	23,72	100	3,94	901	35,47	190	7,48



4. INSTALLATION

■ 4.1 Screw and tools

Use screws M6x12 tightened at 11Nm

Reference(s): 341895 / 03V1M610Z (PG)

485035 (Zn-Ni)

346895/ 03V1M610L (SS316L)

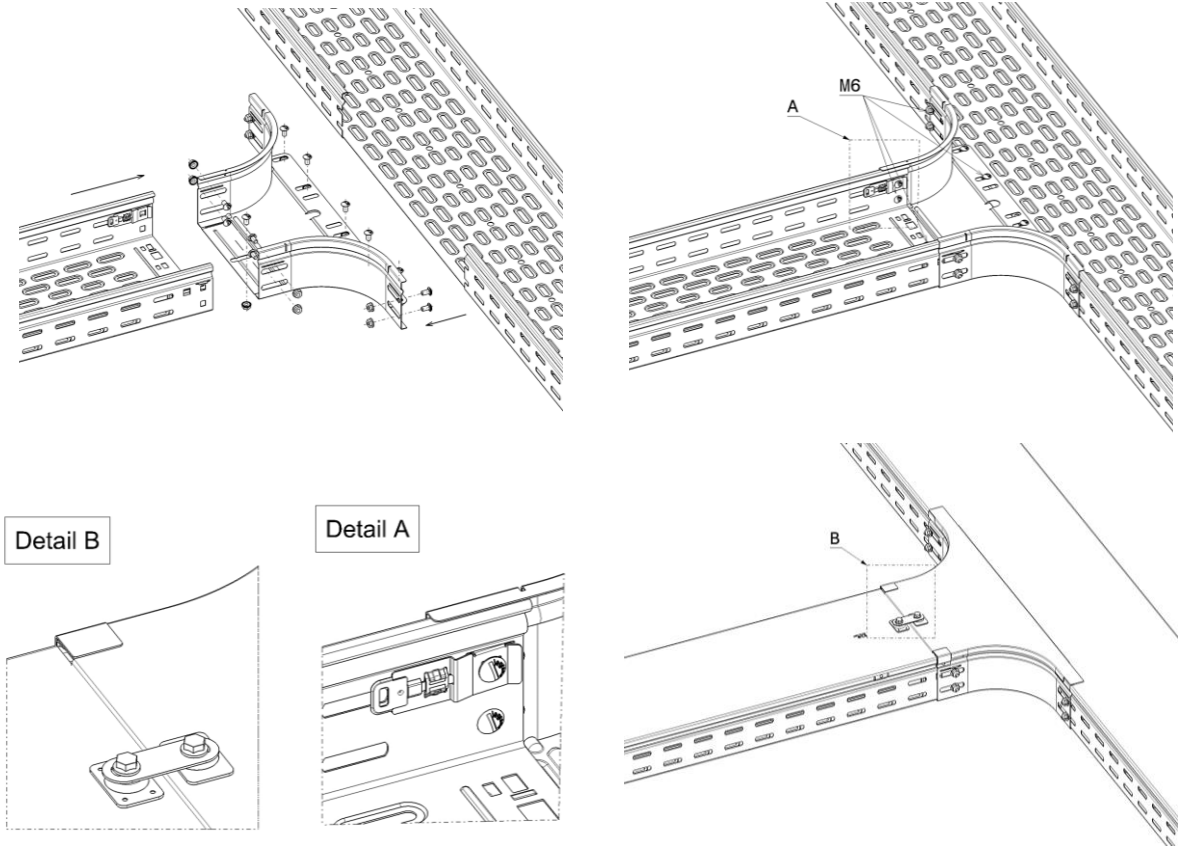
341708 / 31X99X999 (PG)

346474 / 31X99X99X (SS316L)

■ 4.2 Fitting to cable tray

Branch height 75 are assembled using 14 screws M6x12 on the side and on the bottom.

The screws in the middle is optional up to and included width 300mm.



5. TECHNICAL DATA

■ 5.1 Climatic characteristics

Storage and operating temperature: - 20° C à + 120° C

■ 5.2 Material characteristics

Material finish	Material	Standard	Resistance class against corrosion
PG	DX51D + Z200	EN 10346	Classe 3 - CEI 61537
BLUE	DX51D + Z200	EN 10346	Classe 3 - CEI 61537
HDG	DC 01	EN 10130	Classe 6 - CEI 61537
SS304	X5CrNi18-10	EN 10 088-2	Classe 9A - CEI 61537
SS316L	X2CrNiMo17-12-2	EN 10 088-2	Classe 9B - CEI 61537

6. CONFORMITY - CERTIFICATION

Comply with CEI 61537 Cable tray systems

Certification: CE, IMQ