

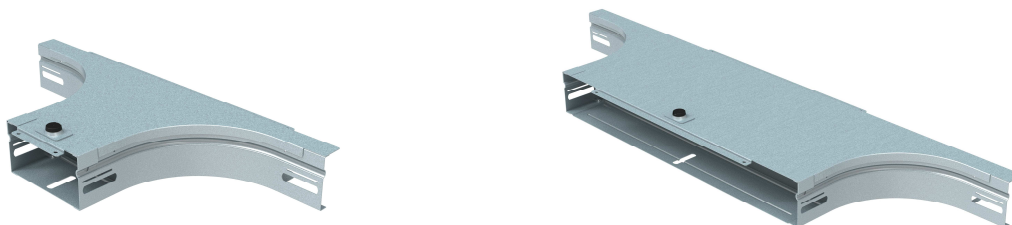
P31 - BRANCH H50 + COVER

Reference(s): 31AVB050..(Z,G,C)

340624 - 4806.. /25/26/27/28/29/30/31

342624 - 4836.. /24/25/26/27/28/29/30

344624 - 4846.. /25/26/27/28/29/30/31



1. USE

Branch in H50 with blind bottom.

2. RANGE BLIND

■ 2.1 BRANCH H50 blind PG

Description	Code	Code Export	Width		Weight		Thickness		Coating	Section	
			(mm)	(inch)	(Kg)	(lb)	(mm)	(inch)		(mm ²)	(inch ²)
P31-BRANCH 50X 50 PG	31AVB050Z	340624	50	1,97	0,22	0,49	0,95	0,04	PG	2381	3,69
P31-BRANCH 50X100 PG	480625	--	100	3,94	0,57	1,25	0,7	0,03	PG	5181	8,03
P31-BRANCH 50X150 PG	480626	--	150	5,91	0,67	1,48	0,7	0,03	PG	7708	11,95
P31-BRANCH 50X200 PG	480627	--	200	7,87	0,77	1,70	0,7	0,03	PG	10273	15,92
P31-BRANCH 50X300 PG	480628	--	300	11,81	0,97	2,15	0,7	0,03	PG	15403	23,87
P31-BRANCH 50X400 PG	480629	--	400	15,75	1,17	2,58	0,7	0,03	PG	20533	31,83
P31-BRANCH 50X500 PG	480630	--	500	19,69	1,37	3,01	0,7	0,03	PG	25663	39,78
P31-BRANCH 50X600 PG	480631	--	600	23,62	1,56	3,45	0,7	0,03	PG	30793	47,73

■ 2.2 BRANCH H50 blind HDG

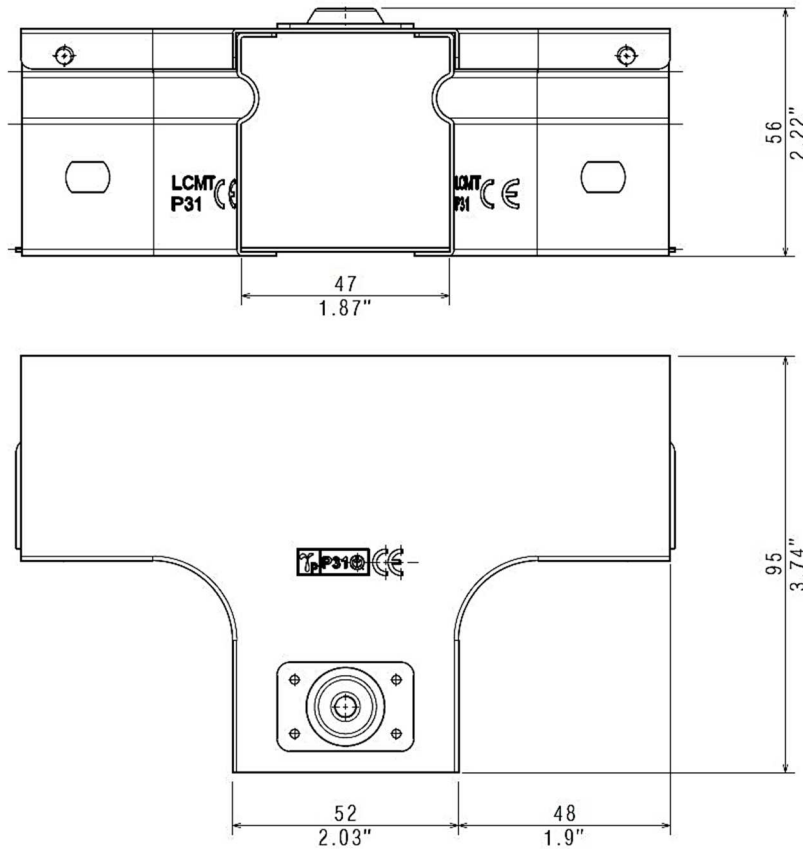
Description	Code	Code Export	Width		Weight		Thickness		Coating	Section	
			(mm)	(inch)	(Kg)	(lb)	(mm)	(inch)		(mm ²)	(inch ²)
P31-BRANCH 50X 50 HDG	31AVB050C	342624	50	1,97	0,25	0,54	0,95	0,04	HDG	2381	3,69
P31-BRANCH 50X100 HDG	483624	--	100	3,94	0,62	1,37	0,7	0,03	HDG	5181	8,03
P31-BRANCH 50X150 HDG	483625	--	150	5,91	0,74	1,62	0,7	0,03	HDG	7708	11,95
P31-BRANCH 50X200 HDG	483626	--	200	7,87	0,85	1,87	0,7	0,03	HDG	10273	15,92
P31-BRANCH 50X300 HDG	483627	--	300	11,81	1,07	2,36	0,7	0,03	HDG	15403	23,87
P31-BRANCH 50X400 HDG	483628	--	400	15,75	1,29	2,84	0,7	0,03	HDG	20533	31,83
P31-BRANCH 50X500 HDG	483629	--	500	19,69	1,50	3,31	0,7	0,03	HDG	25663	39,78
P31-BRANCH 50X600 HDG	483630	--	600	23,62	1,72	3,79	0,7	0,03	HDG	30793	47,73

■ 2.3 BRANCH H50 blind BLUE

Description	Code	Code Export	Width		Weight		Thickness		Coating	Section	
			(mm)	(inch)	(Kg)	(lb)	(mm)	(inch)		(mm ²)	(inch ²)
P31-BRANCH 50X 50 BLUE	31AVB050G	344624	50	1,97	0,22	0,49	0,95	0,04	BLUE	2381	3,69
P31-BRANCH 50X100 BLUE	484625	--	100	3,94	0,57	1,25	0,7	0,03	BLUE	5181	8,03
P31-BRANCH 50X150 BLUE	484626	--	150	5,91	0,67	1,48	0,7	0,03	BLUE	7708	11,95
P31-BRANCH 50X200 BLUE	484627	--	200	7,87	0,77	1,70	0,7	0,03	BLUE	10273	15,92
P31-BRANCH 50X300 BLUE	484628	--	300	11,81	0,97	2,15	0,7	0,03	BLUE	15403	23,87
P31-BRANCH 50X400 BLUE	484629	--	400	15,75	1,17	2,58	0,7	0,03	BLUE	20533	31,83
P31-BRANCH 50X500 BLUE	484630	--	500	19,69	1,37	3,01	0,7	0,03	BLUE	25663	39,78
P31-BRANCH 50X600 BLUE	484631	--	600	23,62	1,56	3,45	0,7	0,03	BLUE	30793	47,73

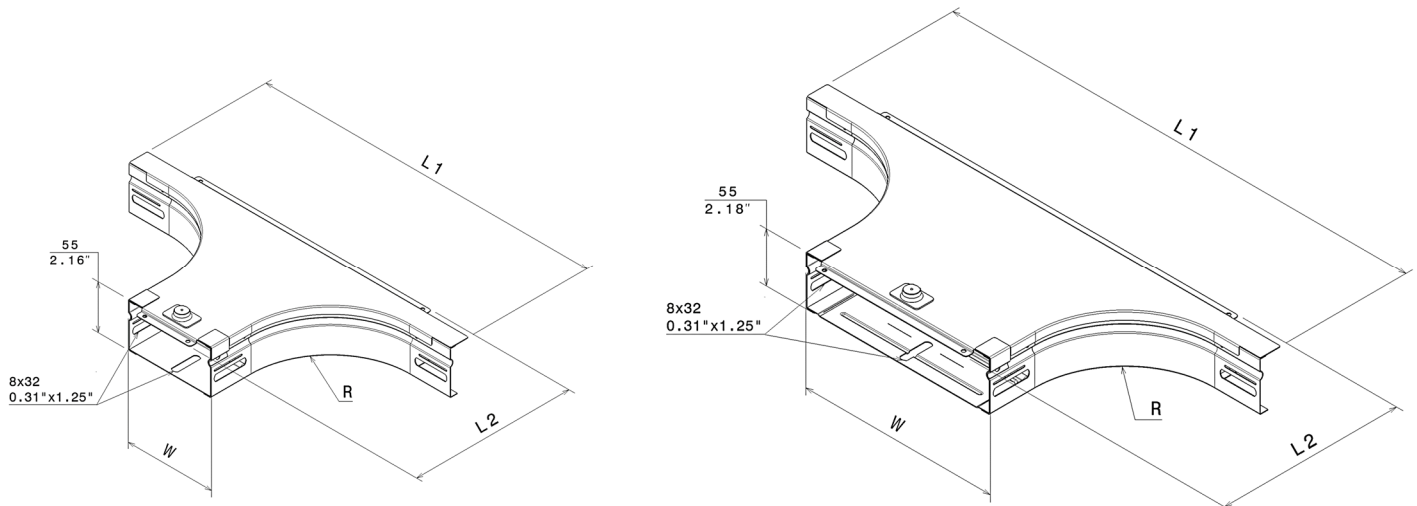
3. DIMENSIONS (mm/inch)

■ 3.1 Fitting dimensions W50



■ 3.2 Fitting dimensions from W100 to W600

Description	Width		Radius		L1		L2	
	(mm)	(inch)	(mm)	(inch)	(mm)	(inch)	(mm)	(inch)
P31-BRANCH 50X100	104	4,09	100	3,94	401	15,79	190	7,48
P31-BRANCH 50X150	154	6,06	100	3,94	451	17,76	190	7,48
P31-BRANCH 50X200	204	8,03	100	3,94	501	19,72	190	7,48
P31-BRANCH 50X300	304	11,97	100	3,94	601	23,66	190	7,48
P31-BRANCH 50X400	404	15,91	100	3,94	701	27,60	190	7,48
P31-BRANCH 50X500	504	19,84	100	3,94	801	31,54	190	7,48
P31-BRANCH 50X600	604	23,78	100	3,94	901	35,47	190	7,48



4. INSTALLATION

■ 4.1 Screw and tools

Use screws M6x12 tightened at 11Nm

Reference(s): 341895 / 03V1M610Z (PG)

485035 (Zn-Ni)

346895/ 03V1M610L (SS316L)

341708 / 31X99X999 (PG)

346474 / 31X99X99X (SS316L)

■ 4.2 Fitting to cable tray W50

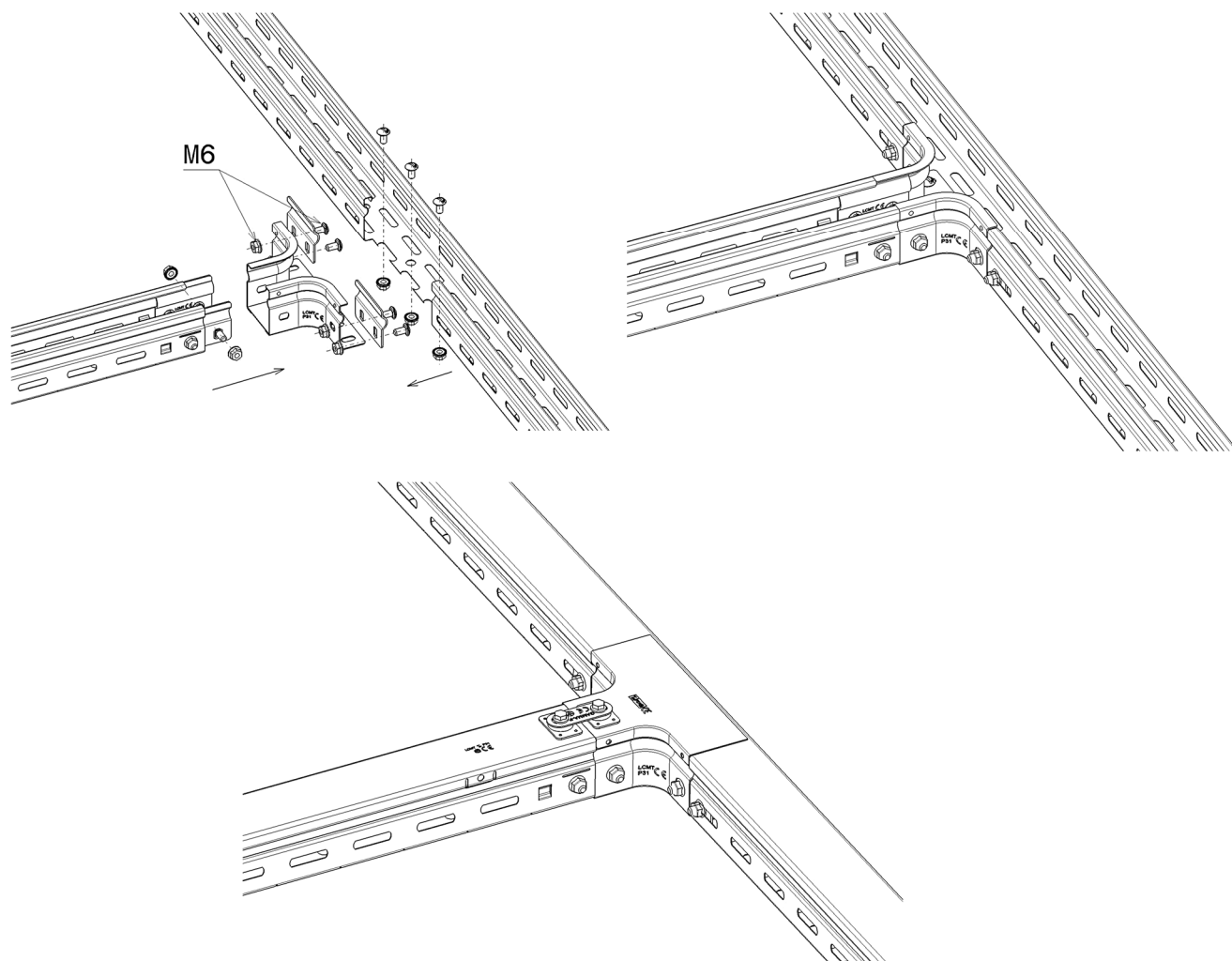
T-branch width 50mm (1,97") are assembled on external side:

- Female side to fitting using EA coupler LG-481562 (PG) or LG-483562 (HDG) and 4 screws M6x12
- Male side to fitting using 2 screws M6x12

On cutted side using 2 EA coupler LG-481562 (PG) or LG-483562 (HDG) and 4 screws M6x12.

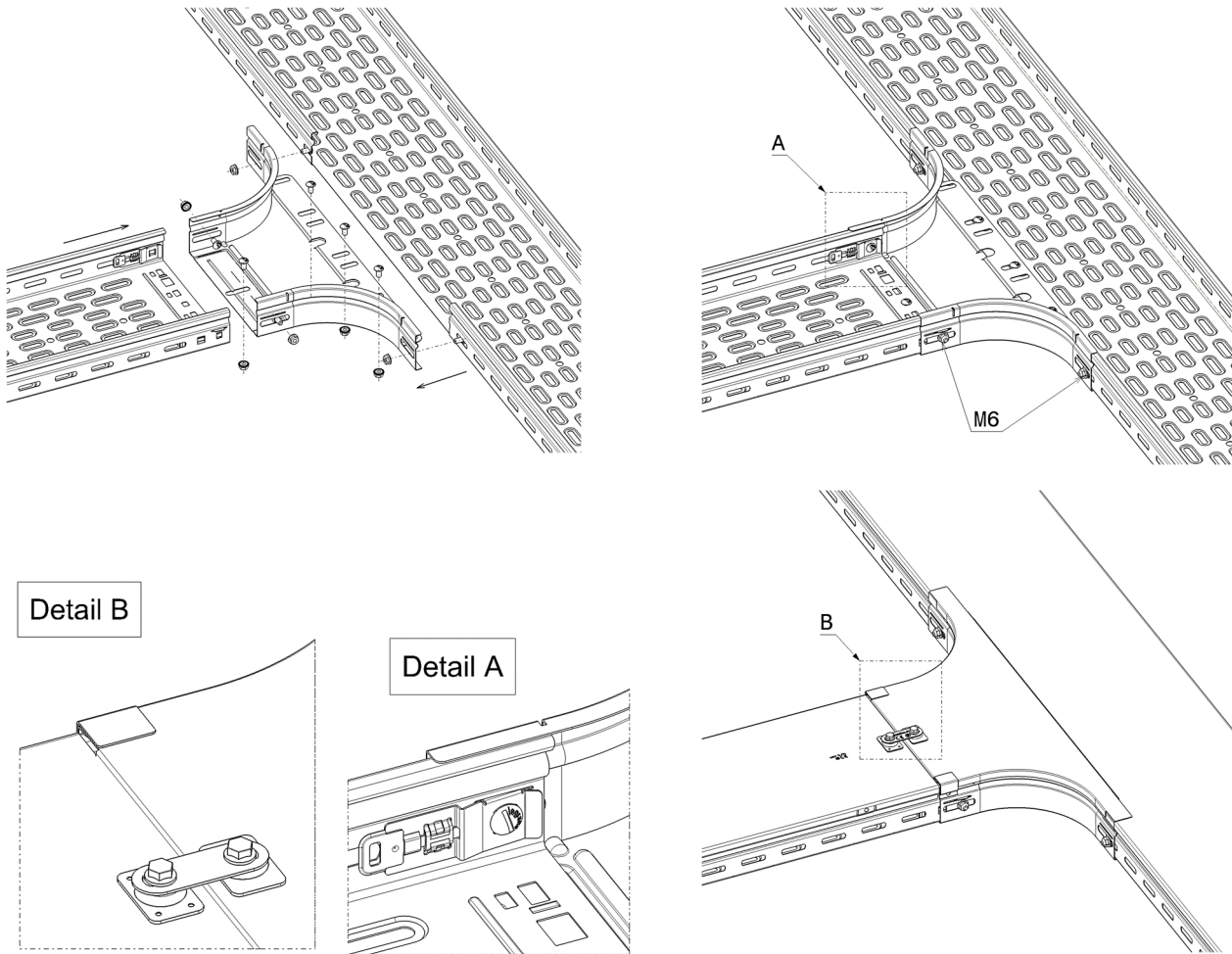
Put the bottom of the fitting over the bottom of cable tray (to guarantee the integrity of cable) and add min. one screw on the bottom to improve the fixing of t-branch.

Join all covers by earth connection using copper plate or cable to guarantee electrical continuity.



■ 4.3 Fitting to cable tray

T-Branch in height 50 are assembled using 8 screws M6x12 on the side and on the bottom. The screws in the middle is optional up to and included width 300mm.



5. TECHNICAL DATA

■ 5.1 Climatic characteristics

Storage and operating temperature: - 20° C à + 120° C

■ 5.2 Material characteristics

Material finish	Material	Standard	Resistance class against corrosion
PG	DX51D + Z200	EN 10346	Classe 3 - CEI 61537
BLUE	DX51D + Z200	EN 10346	Classe 3 - CEI 61537
HDG	DC 01	EN 10130	Classe 6 - CEI 61537
SS304	X5CrNi18-10	EN 10 088-2	Classe 9A - CEI 61537
SS316L	X2CrNiMo17-12-2	EN 10 088-2	Classe 9B - CEI 61537

6. CONFORMITY - CERTIFICATION

Comply with CEI 61537 Cable tray systems
 Certification: CE, IMQ