

P31-OUTSIDE RISER 30° H75 + COVER

Reference(s): AR../075Z/100Z/150Z/200Z/300Z/400Z/500Z/600Z
AR../075C/100C/150C/200C/300C/400C/500C/600C
AR../075G/100G/150G/200G/300G/400G/500G/600G



1. USE

Outside riser 30 in H75 with cover.

2. RANGE BLIND

■ 2.1 Outside riser 30° H75 + cover blind PG

Description	Code	Width		Weight		Thickness		Coating	Section	
		(mm)	(inch)	(Kg)	(lb)	(mm)	(inch)		(mm ²)	(inch ²)
P31-OUTSIDE RISER 30° 75X75 PG	AR075Z	77	3,03	0,41	0,91	0,7	0,03	PG	6107	9,47
P31-OUTSIDE RISER 30° 75X100 PG	AR100Z	100	3,94	0,47	1,03	0,7	0,03	PG	7908	12,26
P31-OUTSIDE RISER 30° 75X150 PG	AR150Z	150	5,91	0,58	1,28	0,7	0,03	PG	11823	18,33
P31-OUTSIDE RISER 30° 75X200 PG	AR200Z	200	7,87	0,70	1,54	0,7	0,03	PG	15738	24,39
P31-OUTSIDE RISER 30° 75X300 PG	AR300Z	300	11,81	0,93	2,04	0,7	0,03	PG	23568	36,53

■ 2.2 Outside riser 30° H75 + cover blind HDG

Description	Code	Width		Weight		Thickness		Coating	Section	
		(mm)	(inch)	(Kg)	(lb)	(mm)	(inch)		(mm ²)	(inch ²)
P31-OUTSIDE RISER 30° 75X75 HDG	AR075C	77	3,03	0,46	1,00	0,7	0,03	HDG	6107	9,47
P31-OUTSIDE RISER 30° 75X100 HDG	AR100C	100	3,94	0,51	1,13	0,7	0,03	HDG	7908	12,26
P31-OUTSIDE RISER 30° 75X150 HDG	AR150C	150	5,91	0,64	1,41	0,7	0,03	HDG	11823	18,33
P31-OUTSIDE RISER 30° 75X200 HDG	AR200C	200	7,87	0,77	1,69	0,7	0,03	HDG	15738	24,39
P31-OUTSIDE RISER 30° 75X300 HDG	AR300C	300	11,81	1,02	2,25	0,7	0,03	HDG	23568	36,53

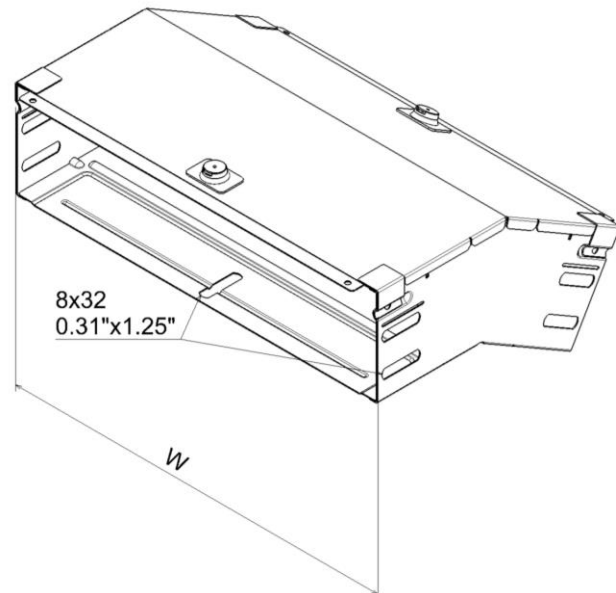
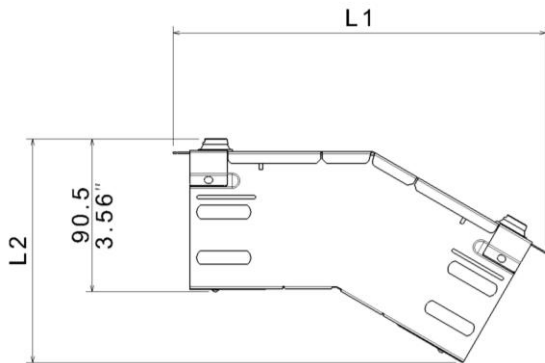
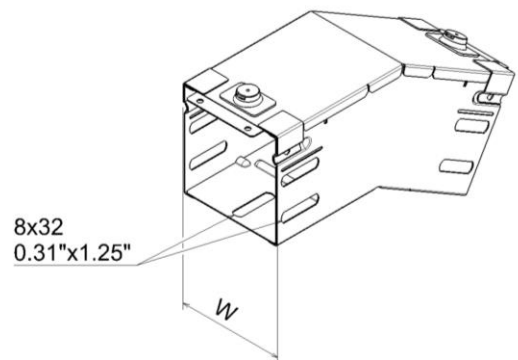
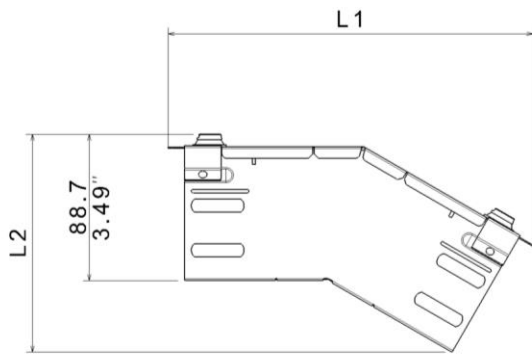
■ 2.3 Outside riser 30° H75 + cover blind BLUE

Description	Code	Width		Weight		Thickness		Coating	Section	
		(mm)	(inch)	(Kg)	(lb)	(mm)	(inch)		(mm ²)	(inch ²)
P31-OUTSIDE RISER 30° 75X75 BLUE	AR075G	77	3,03	0,41	0,91	0,7	0,03	BLUE	6107	9,47
P31-OUTSIDE RISER 30° 75X100 BLUE	AR100G	100	3,94	0,47	1,03	0,7	0,03	BLUE	7908	12,26
P31-OUTSIDE RISER 30° 75X150 BLUE	AR150G	150	5,91	0,58	1,28	0,7	0,03	BLUE	11823	18,33
P31-OUTSIDE RISER 30° 75X200 BLUE	AR200G	200	7,87	0,70	1,54	0,7	0,03	BLUE	15738	24,39
P31-OUTSIDE RISER 30° 75X300 BLUE	AR300G	300	11,81	0,93	2,04	0,7	0,03	BLUE	23568	36,53

3. DIMENSIONS (mm/inch)

■ 3.1 Fitting dimensions

Description	Width		L1		L2	
	(mm)	(inch)	(mm)	(inch)	(mm)	(inch)
P31-OUTSIDE RISER 30° 75X75	81	3,19	221	8,70	132	5,20
P31-OUTSIDE RISER 30° 75X100	104	4,09	221	8,70	132	5,20
P31-OUTSIDE RISER 30° 75X150	154	6,06	221	8,70	132	5,20
P31-OUTSIDE RISER 30° 75X200	204	8,03	221	8,70	132	5,20
P31-OUTSIDE RISER 30° 75X300	304	11,97	221	8,70	132	5,20



4. INSTALLATION

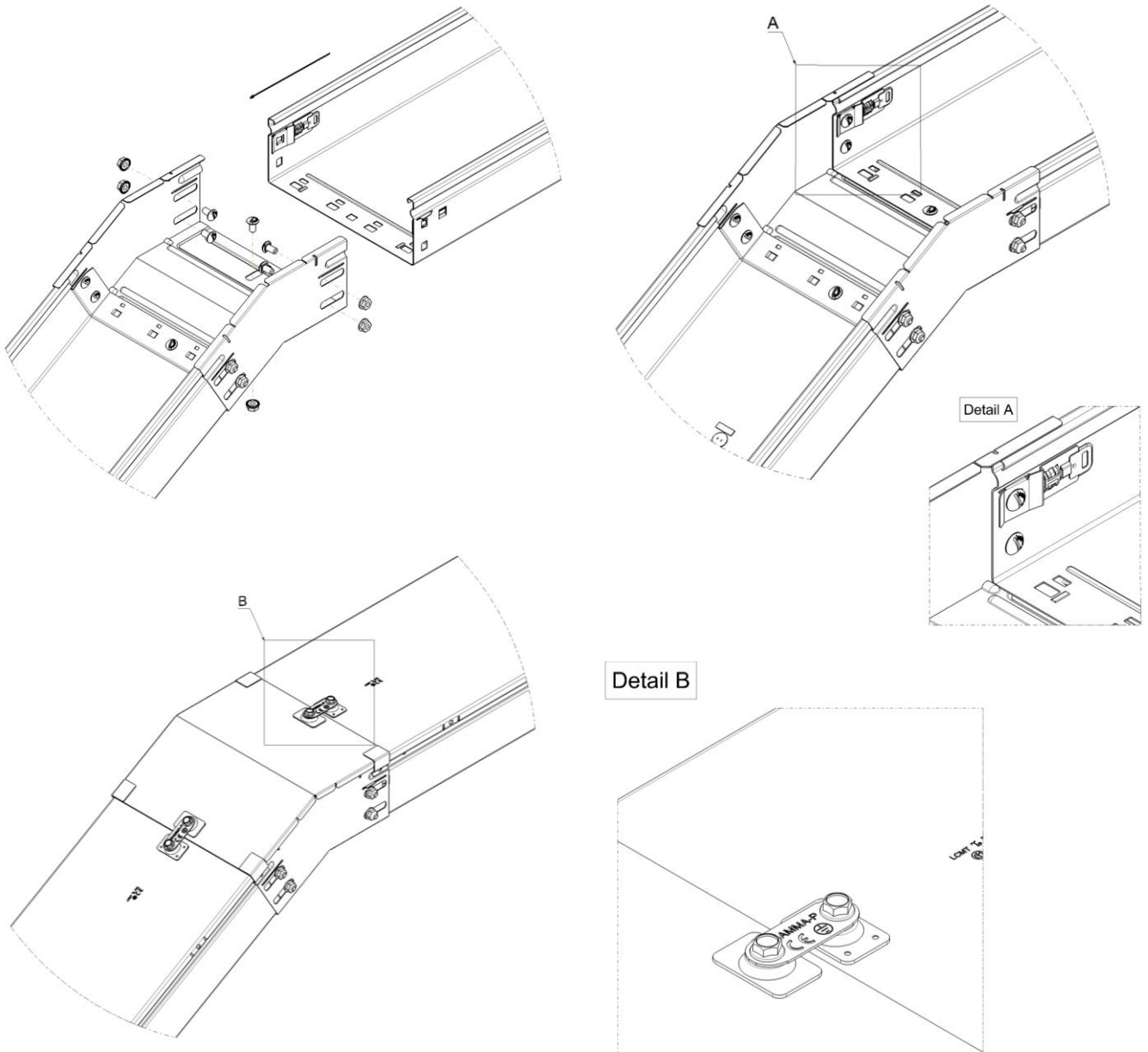
■ 4.1 Screw

Use screws M6x12 tightened at 11Nm

Reference(s): 341895/ 03V1M610Z (PG)
485035 (Zn-Ni)
346895/ 03V1M610L (SS316L)
341808 / 31X99X999 (PG)
346474 / 31X99X99X (SS316L)

■ 4.2 Fitting to cable tray

Outside riser height 75 are assembled using 10 screws M6x12 on the side and on the bottom.
The screws in the middle is optional up to and included width 300mm.



5. TECHNICAL DATA

■ 5.1 Climatic characteristics

Storage and operating temperature: - 20° C à + 120° C

■ 5.2 Material characteristics

Material finish	Material	Standard	Resistance class against corrosion
PG	DX51D + Z200	EN 10346	Classe 3 - CEI 61537
BLUE	DX51D + Z200	EN 10346	Classe 3 - CEI 61537
HDG	DC 01	EN 10130	Classe 6 - CEI 61537
SS304	X5CrNi18-10	EN 10 088-2	Classe 9A - CEI 61537
SS316L	X2CrNiMo17-12-2	EN 10 088-2	Classe 9B - CEI 61537

6. CONFORMITY - CERTIFICATION

Comply with CEI 61537 Cable tray systems

Certification: CE, IMQ