

## P31-OUTSIDE RISER 45° H100 + COVER

Reference(s): 4805..21/22/23/24/25/26/480734  
4825..21/22/23/24/25/26/482734  
4845..21/22/23/24/25/26



### 1. USE

Outside riser 45 in H100 with cover.

### 2. RANGE BLIND

#### ■ 2.1 Outside riser 45° H100 + cover blind PG

Description	Code	Width		Weight		Thickness		Coating	Section	
		(mm)	(inch)	(Kg)	(lb)	(mm)	(inch)		(mm <sup>2</sup> )	(inch <sup>2</sup> )
P31-OUTSIDE RISER 45° 100X100 PG	480521	100	3,94	0,58	1,27	0,7	0,03	PG	10231	15,86
P31-OUTSIDE RISER 45° 100X150 PG	480522	150	5,91	0,71	1,56	0,7	0,03	PG	15296	23,71
P31-OUTSIDE RISER 45° 100X200 PG	480523	200	7,87	0,84	1,86	0,7	0,03	PG	20361	31,56
P31-OUTSIDE RISER 45° 100X300 PG	480524	300	11,81	1,11	2,44	0,7	0,03	PG	30491	47,26
P31-OUTSIDE RISER 45° 100X400 PG	480525	400	15,75	1,37	3,01	0,7	0,03	PG	40621	62,96
P31-OUTSIDE RISER 45° 100X500 PG	480526	500	19,69	1,62	3,58	0,7	0,03	PG	50751	78,66
P31-OUTSIDE RISER 45° 100X600 PG	480734	600	23,62	1,86	4,09	0,7	0,03	PG	60881	94,37

#### ■ 2.2 Outside riser 45° H100 + cover blind HDG

Description	Code	Width		Weight		Thickness		Coating	Section	
		(mm)	(inch)	(Kg)	(lb)	(mm)	(inch)		(mm <sup>2</sup> )	(inch <sup>2</sup> )
P31-OUTSIDE RISER 45° 100X100 HDG	482521	100	3,94	0,63	1,40	0,7	0,03	HDG	10231	15,86
P31-OUTSIDE RISER 45° 100X150 HDG	482522	150	5,91	0,78	1,72	0,7	0,03	HDG	15296	23,71
P31-OUTSIDE RISER 45° 100X200 HDG	482523	200	7,87	0,93	2,04	0,7	0,03	HDG	20361	31,56
P31-OUTSIDE RISER 45° 100X300 HDG	482524	300	11,81	1,22	2,69	0,7	0,03	HDG	30491	47,26
P31-OUTSIDE RISER 45° 100X400 HDG	482525	400	15,75	1,50	3,31	0,7	0,03	HDG	40621	62,96
P31-OUTSIDE RISER 45° 100X500 HDG	482526	500	19,69	1,78	3,93	0,7	0,03	HDG	50751	78,66
P31-OUTSIDE RISER 45° 100X600 HDG	482734	600	23,62	2,04	4,50	0,7	0,03	HDG	60881	94,37

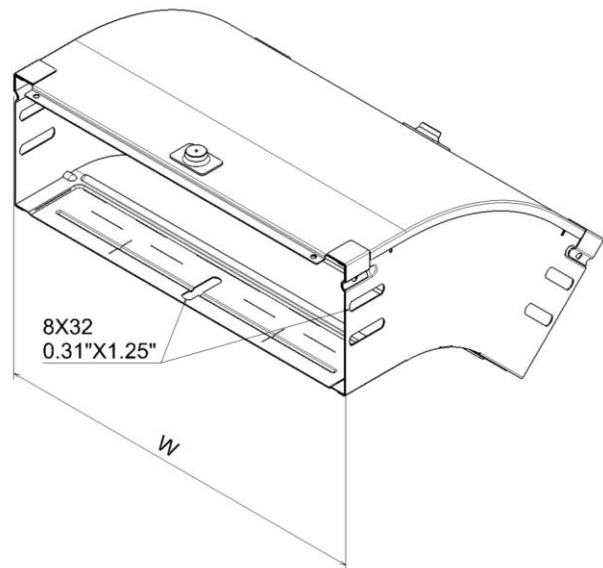
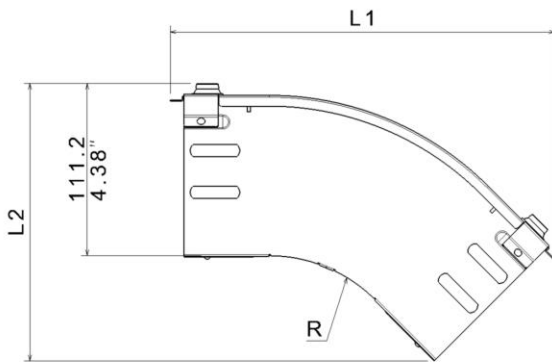
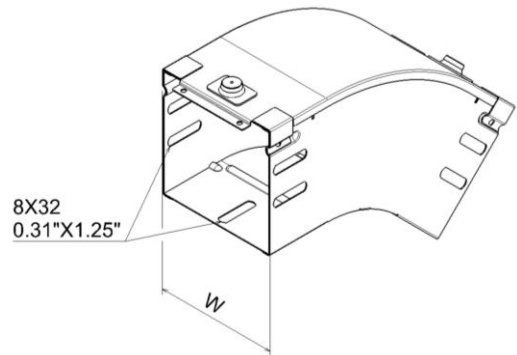
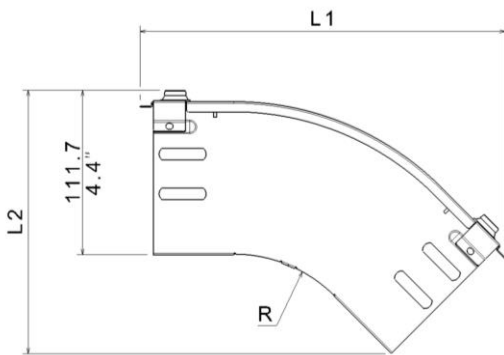
#### ■ 2.3 Outside riser 45° H100 + cover blind BLUE

Description	Code	Width		Weight		Thickness		Coating	Section	
		(mm)	(inch)	(Kg)	(lb)	(mm)	(inch)		(mm <sup>2</sup> )	(inch <sup>2</sup> )
P31-OUTSIDE RISER 45° 100X100 BLUE	484521	100	3,94	0,58	1,27	0,7	0,03	BLUE	10231	15,86
P31-OUTSIDE RISER 45° 100X150 BLUE	484522	150	5,91	0,71	1,56	0,7	0,03	BLUE	15296	23,71
P31-OUTSIDE RISER 45° 100X200 BLUE	484523	200	7,87	0,84	1,86	0,7	0,03	BLUE	20361	31,56
P31-OUTSIDE RISER 45° 100X300 BLUE	484524	300	11,81	1,11	2,44	0,7	0,03	BLUE	30491	47,26
P31-OUTSIDE RISER 45° 100X400 BLUE	484525	400	15,75	1,37	3,01	0,7	0,03	BLUE	40621	62,96
P31-OUTSIDE RISER 45° 100X500 BLUE	484526	500	19,69	1,62	3,58	0,7	0,03	BLUE	50751	78,66

**3. DIMENSIONS (mm/inch)**

■ **3.1 Fitting dimensions**

Description	Width		Radius		L1		L2	
	(mm)	(inch)	(mm)	(inch)	(mm)	(inch)	(mm)	(inch)
P31-OUTSIDE RISER 45° 100X100	104	4,09	97	3,82	249	9,80	179	7,04
P31-OUTSIDE RISER 45° 100X150	154	6,06	97	3,82	249	9,80	179	7,04
P31-OUTSIDE RISER 45° 100X200	204	8,03	97	3,82	249	9,80	179	7,04
P31-OUTSIDE RISER 45° 100X300	304	11,97	97	3,82	249	9,80	179	7,04
P31-OUTSIDE RISER 45° 100X400	404	15,91	97	3,82	249	9,80	179	7,04
P31-OUTSIDE RISER 45° 100X500	504	19,84	97	3,82	249	9,80	179	7,04
P31-OUTSIDE RISER 45° 100X600	604	23,78	97	3,82	249	9,80	179	7,04



## 4. INSTALLATION

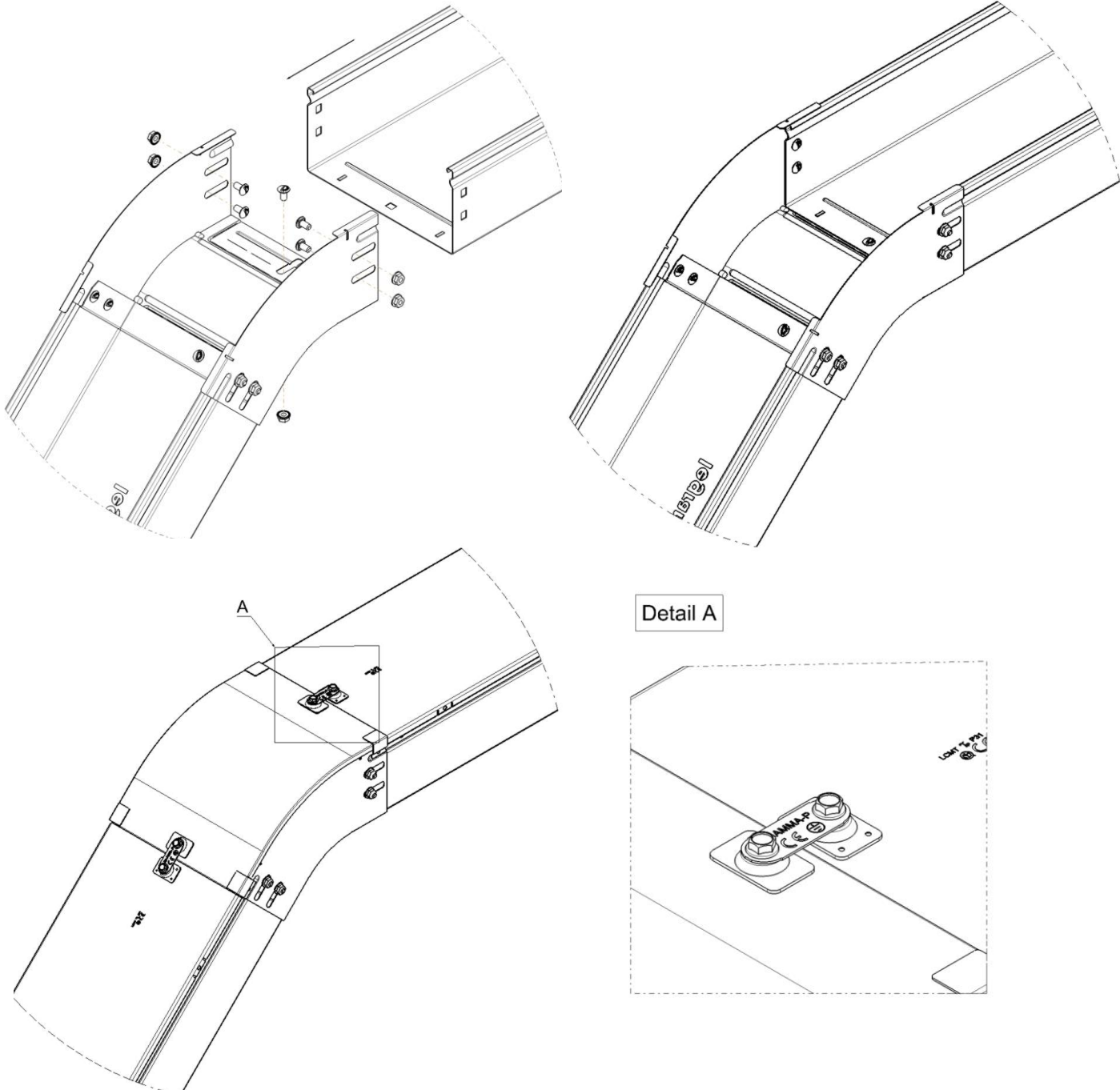
### ■ 4.1 Screw

Use screws M6x12 tightened at 11Nm

Reference(s): 341895/ 03V1M610Z (PG)  
485035 (Zn-Ni)  
346895/ 03V1M610L (SS316L)  
341708 / 31X99X999 (PG)  
346474 / 31X99X99X (SS316L)

### ■ 4.2 Fitting to cable tray

Outside riser riser height 100 are assembled using 10 screws M6x12 on the side and on the bottom.  
The screws in the middle is optional up to and included width 300mm



## 5. TECHNICAL DATA

### ■ 5.1 Climatic characteristics

Storage and operating temperature: - 20° C à + 120° C

### ■ 5.2 Material characteristics

Material finish	Material	Standard	Resistance class against corrosion
PG	DX51D + Z200	EN 10346	Classe 3 - CEI 61537
BLUE	DX51D + Z200	EN 10346	Classe 3 - CEI 61537
HDG	DC 01	EN 10130	Classe 6 - CEI 61537
SS304	X5CrNi18-10	EN 10 088-2	Classe 9A - CEI 61537
SS316L	X2CrNiMo17-12-2	EN 10 088-2	Classe 9B - CEI 61537

## 6. CONFORMITY - CERTIFICATION

Comply with CEI 61537 Cable tray systems

Certification: CE, IMQ