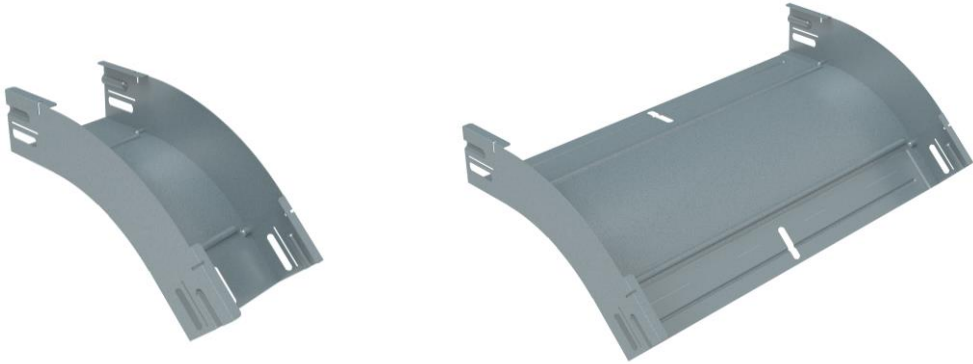


## P31-OUTSIDE RISER 45° H100

Reference(s): 4810../83/84/85/86/87/88  
4830../83/84/85/86/87/88



### 1. USE

Outside riser 45 in H100.

### 2. RANGE BLIND

#### ■ 2.1 Outside riser 45° H100 PG

Description	Code	Width		Weight		Thickness		Coating	Section	
		(mm)	(inch)	(Kg)	(lb)	(mm)	(inch)		(mm <sup>2</sup> )	(inch <sup>2</sup> )
P31-OUTSIDE RISER 45° 100X100 PG	481083	100	3,94	0,37	0,81	0,7	0,03	PG	10231	15,86
P31-OUTSIDE RISER 45° 100X150 PG	481084	150	5,91	0,42	0,92	0,7	0,03	PG	15296	23,71
P31-OUTSIDE RISER 45° 100X200 PG	481085	200	7,87	0,47	1,04	0,7	0,03	PG	20361	31,56
P31-OUTSIDE RISER 45° 100X300 PG	481086	300	11,81	0,58	1,28	0,7	0,03	PG	30491	47,26
P31-OUTSIDE RISER 45° 100X400 PG	481087	400	15,75	0,69	1,51	0,7	0,03	PG	40621	62,96
P31-OUTSIDE RISER 45° 100X500 PG	481088	500	19,69	0,79	1,75	0,7	0,03	PG	50751	78,66

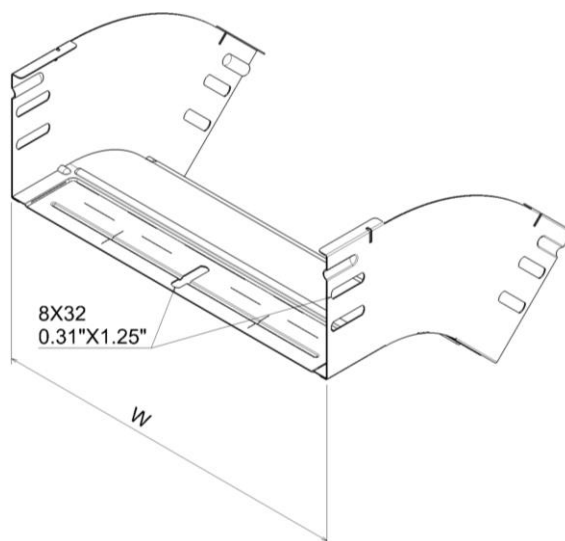
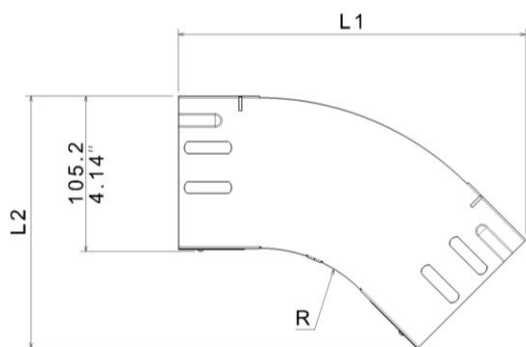
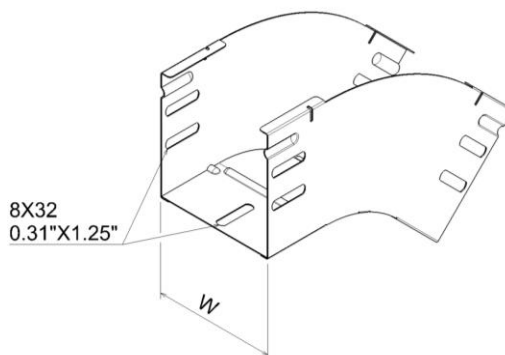
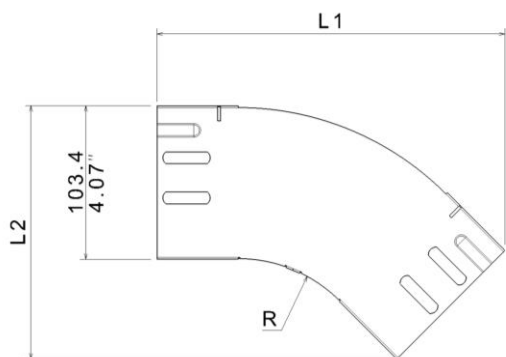
#### ■ 2.1 Outside riser 45° H100 HDG

Description	Code	Width		Weight		Thickness		Coating	Section	
		(mm)	(inch)	(Kg)	(lb)	(mm)	(inch)		(mm <sup>2</sup> )	(inch <sup>2</sup> )
P31-OUTSIDE RISER 45° 100X100 HDG	483083	100	3,94	0,40	0,89	0,7	0,03	HDG	10231	15,86
P31-OUTSIDE RISER 45° 100X150 HDG	483084	150	5,91	0,46	1,01	0,7	0,03	HDG	15296	23,71
P31-OUTSIDE RISER 45° 100X200 HDG	483085	200	7,87	0,52	1,15	0,7	0,03	HDG	20361	31,56
P31-OUTSIDE RISER 45° 100X300 HDG	483086	300	11,81	0,64	1,40	0,7	0,03	HDG	30491	47,26
P31-OUTSIDE RISER 45° 100X400 HDG	483087	400	15,75	0,75	1,66	0,7	0,03	HDG	40621	62,96
P31-OUTSIDE RISER 45° 100X500 HDG	483088	500	19,69	0,87	1,93	0,7	0,03	HDG	50751	78,66

**3. DIMENSIONS (mm/inch)**

■ **3.1 Fitting dimensions**

Description	Width		Radius		L1		L2	
	(mm)	(inch)	(mm)	(inch)	(mm)	(inch)	(mm)	(inch)
P31-OUTSIDE RISER 45° 100X100	102	4,02	97	3,82	235	9,26	171	6,72
P31-OUTSIDE RISER 45° 100X150	152	5,98	97	3,82	235	9,26	171	6,72
P31-OUTSIDE RISER 45° 100X200	202	7,95	97	3,82	235	9,26	171	6,72
P31-OUTSIDE RISER 45° 100X300	302	11,89	97	3,82	235	9,26	171	6,72
P31-OUTSIDE RISER 45° 100X400	402	15,83	97	3,82	235	9,26	171	6,72
P31-OUTSIDE RISER 45° 100X500	502	19,76	97	3,82	235	9,26	171	6,72
P31-OUTSIDE RISER 45° 100X600	602	23,70	97	3,82	235	9,26	171	6,72



## 4. INSTALLATION

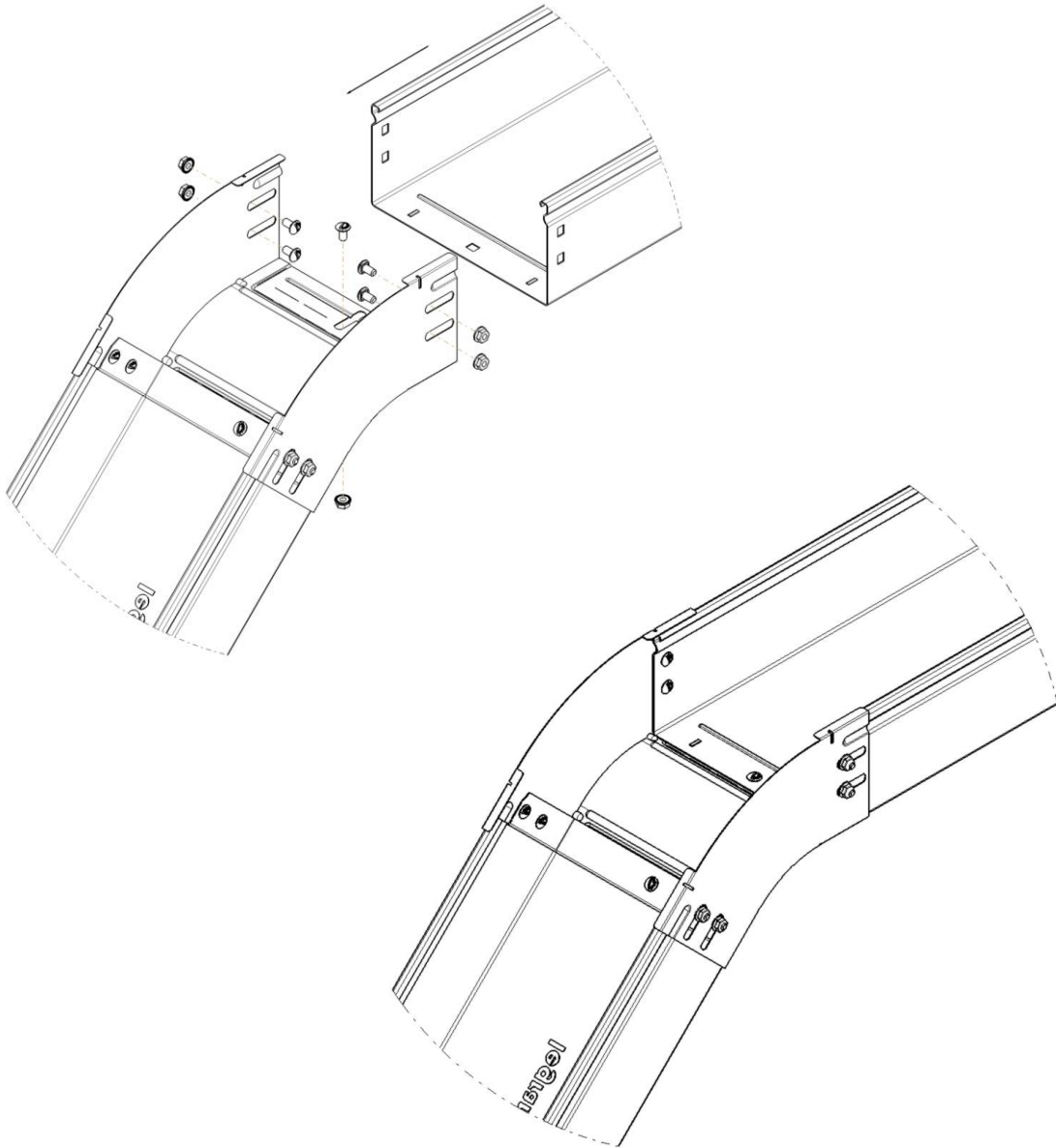
### ■ 4.1 Screw

Use screws M6x12 tightened at 11Nm

Reference(s): 341895/ 03V1M610Z (PG)  
485035 (Zn-Ni)  
346895/ 03V1M610L (SS316L)

### ■ 4.2 Fitting to cable tray

Outside riser riser height 100 are assembled using 10 screws M6x12 on the side and on the bottom.  
The screws in the middle is optional up to and included width 300mm.



## 5. TECHNICAL DATA

### ■ 5.1 Climatic characteristics

Storage and operating temperature: - 20° C à + 120° C

### ■ 5.2 Material characteristics

Material finish	Material	Standard	Resistance class against corrosion
PG	DX51D + Z200	EN 10346	Classe 3 - CEI 61537
BLUE	DX51D + Z200	EN 10346	Classe 3 - CEI 61537
HDG	DC 01	EN 10130	Classe 6 - CEI 61537
SS304	X5CrNi18-10	EN 10 088-2	Classe 9A - CEI 61537
SS316L	X2CrNiMo17-12-2	EN 10 088-2	Classe 9B - CEI 61537

## 6. CONFORMITY - CERTIFICATION

Comply with CEI 61537 Cable tray systems

Certification: CE, IMQ