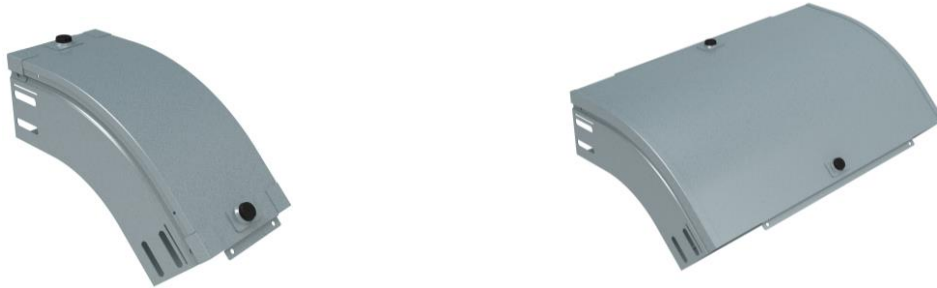


## P31-OUTSIDE RISER 45° H75 + COVER

Reference(s): AQ../075Z/100Z/150Z/200Z/300Z/400Z/500Z/600Z  
AQ../075C/100C/150C/200C/300C/400C/500C/600C  
AQ../075L/100L/150L/200L/300L/400L/500L/600L  
AQ../075G/100G/150G/200G/300G/400G/500G/600G



### 1. USE

Outside riser 45 in H75 with cover.

### 2. RANGE BLIND

#### ■ 2.1 Outside riser 45° H75 + cover blind PG

Description	Code	Width		Weight		Thickness		Coating	Section	
		(mm)	(inch)	(Kg)	(lb)	(mm)	(inch)		(mm²)	(inch²)
P31-OUTSIDE RISER 45° 75X75 PG	AQ075Z	77	3,03	0,50	1,11	0,7	0,03	PG	6107	9,47
P31-OUTSIDE RISER 45° 75X100 PG	AQ100Z	100	3,94	0,57	1,25	0,7	0,03	PG	7908	12,26
P31-OUTSIDE RISER 45° 75X150 PG	AQ150Z	150	5,91	0,70	1,55	0,7	0,03	PG	11823	18,33
P31-OUTSIDE RISER 45° 75X200 PG	AQ200Z	200	7,87	0,84	1,86	0,7	0,03	PG	15738	24,39
P31-OUTSIDE RISER 45° 75X300 PG	AQ300Z	300	11,81	1,12	2,46	0,7	0,03	PG	23568	36,53
P31-OUTSIDE RISER 45° 75X400 PG	AQ400Z	400	15,75	1,43	3,16	0,7	0,03	PG	31398	48,67
P31-OUTSIDE RISER 45° 75X500 PG	AQ500Z	500	19,69	1,65	3,64	0,7	0,03	PG	39228	60,80
P31-OUTSIDE RISER 45° 75X600 PG	AQ600Z	600	23,62	1,91	4,22	0,7	0,03	PG	47058	72,94

#### ■ 2.2 Outside riser 45° H75 + cover blind HDG

Description	Code	Width		Weight		Thickness		Coating	Section	
		(mm)	(inch)	(Kg)	(lb)	(mm)	(inch)		(mm²)	(inch²)
P31-OUTSIDE RISER 45° 75X75 HDG	AQ075C	77	3,03	0,83	1,83	0,7	0,03	HDG	6107	9,47
P31-OUTSIDE RISER 45° 75X100 HDG	AQ100C	100	3,94	0,93	2,05	0,7	0,03	HDG	7908	12,26
P31-OUTSIDE RISER 45° 75X150 HDG	AQ150C	150	5,91	0,77	1,70	0,7	0,03	HDG	11823	18,33
P31-OUTSIDE RISER 45° 75X200 HDG	AQ200C	200	7,87	0,93	2,04	0,7	0,03	HDG	15738	24,39
P31-OUTSIDE RISER 45° 75X300 HDG	AQ300C	300	11,81	1,23	2,71	0,7	0,03	HDG	23568	36,53
P31-OUTSIDE RISER 45° 75X400 HDG	AQ400C	400	15,75	1,58	3,47	0,7	0,03	HDG	31398	48,67
P31-OUTSIDE RISER 45° 75X500 HDG	AQ500C	500	19,69	1,81	4,00	0,7	0,03	HDG	39228	60,80
P31-OUTSIDE RISER 45° 75X600 HDG	AQ600C	600	23,62	2,10	4,64	0,7	0,03	HDG	47058	72,94

#### ■ 2.3 Outside riser 45° H75 + cover blind BLUE

Description	Code	Width		Weight		Thickness		Coating	Section	
		(mm)	(inch)	(Kg)	(lb)	(mm)	(inch)		(mm²)	(inch²)
P31-OUTSIDE RISER 45° 75X75 BLUE	AQ075G	77	3,03	0,50	1,11	0,7	0,03	BLUE	6107	9,47
P31-OUTSIDE RISER 45° 75X100 BLUE	AQ100G	100	3,94	0,57	1,25	0,7	0,03	BLUE	7908	12,26
P31-OUTSIDE RISER 45° 75X150 BLUE	AQ150G	150	5,91	0,70	1,55	0,7	0,03	BLUE	11823	18,33
P31-OUTSIDE RISER 45° 75X200 BLUE	AQ200G	200	7,87	0,84	1,86	0,7	0,03	BLUE	15738	24,39
P31-OUTSIDE RISER 45° 75X300 BLUE	AQ300G	300	11,81	1,12	2,46	0,7	0,03	BLUE	23568	36,53
P31-OUTSIDE RISER 45° 75X400 BLUE	AQ400G	400	15,75	1,43	3,16	0,7	0,03	BLUE	31398	48,67
P31-OUTSIDE RISER 45° 75X500 BLUE	AQ500G	500	19,69	1,65	3,64	0,7	0,03	BLUE	39228	60,80
P31-OUTSIDE RISER 45° 75X600 BLUE	AQ600G	600	23,62	1,91	4,22	0,7	0,03	BLUE	47058	72,94

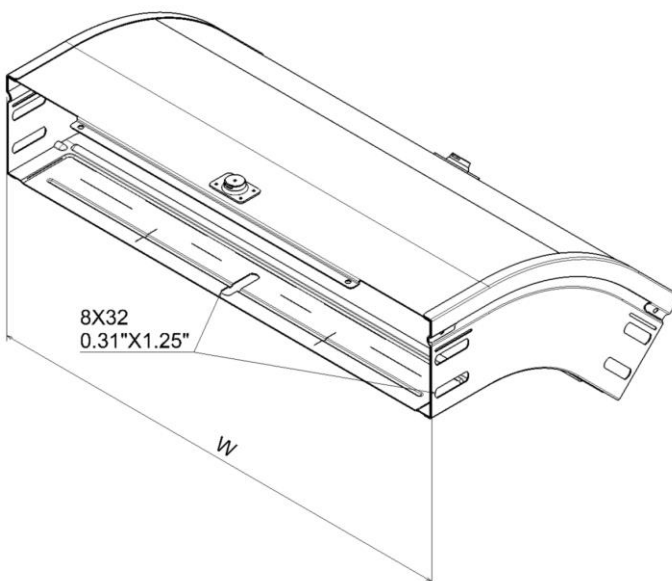
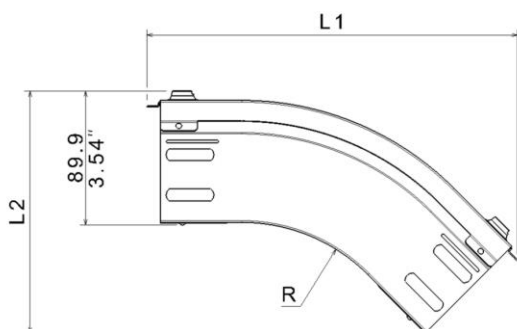
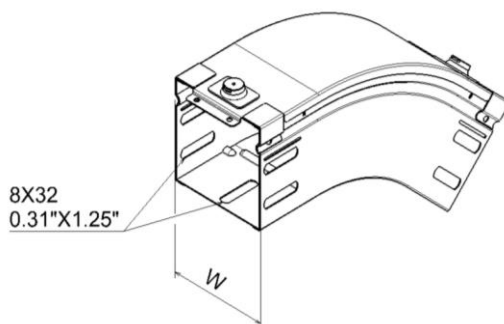
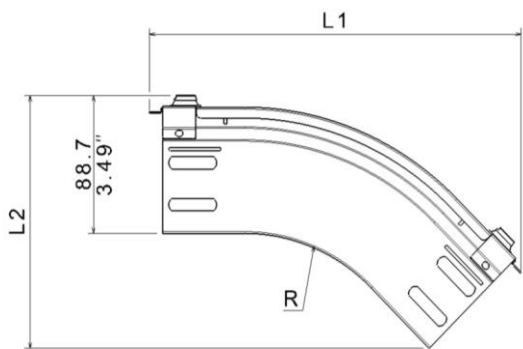
## ■ 2.4 Outside riser 45° twist H75 + cover blind SS316L

Description	Code	Width		Weight		Thickness		Coating	Section	
		(mm)	(inch)	(Kg)	(lb)	(mm)	(inch)		(mm <sup>2</sup> )	(inch <sup>2</sup> )
P31-OUTSIDE RISER 45° 75X75 SS 316L	AQ075L	77	3,03	0,50	1,11	0,7	0,03	SS 316L	6107	9,47
P31-OUTSIDE RISER 45° 75X100 SS 316L	AQ100L	100	3,94	0,57	1,25	0,7	0,03	SS 316L	7908	12,26
P31-OUTSIDE RISER 45° 75X150 SS 316L	AQ150L	150	5,91	0,70	1,55	0,7	0,03	SS 316L	11823	18,33
P31-OUTSIDE RISER 45° 75X200 SS 316L	AQ200L	200	7,87	0,84	1,86	0,7	0,03	SS 316L	15738	24,39
P31-OUTSIDE RISER 45° 75X300 SS 316L	AQ300L	300	11,81	1,12	2,46	0,7	0,03	SS 316L	23568	36,53
P31-OUTSIDE RISER 45° 75X400 SS 316L	AQ400L	400	15,75	1,43	3,16	0,7	0,03	SS 316L	31398	48,67
P31-OUTSIDE RISER 45° 75X500 SS 316L	AQ500L	500	19,69	1,65	3,64	0,7	0,03	SS 316L	39228	60,80
P31-OUTSIDE RISER 45° 75X600 SS 316L	AQ600L	600	23,62	1,91	4,22	0,7	0,03	SS 316L	47058	72,94

**3. DIMENSIONS (mm/inch)**

■ **3.1 Fitting dimensions**

Description	Width		Radius		L1		L2	
	(mm)	(inch)	(mm)	(inch)	(mm)	(inch)	(mm)	(inch)
P31-OUTSIDE RISER 45° 75X75	81	3,19	120	4,71	249	9,80	163	6,40
P31-OUTSIDE RISER 45° 75X100	104	4,09	120	4,71	249	9,80	163	6,40
P31-OUTSIDE RISER 45° 75X150	154	6,06	120	4,71	249	9,80	163	6,40
P31-OUTSIDE RISER 45° 75X200	204	8,03	120	4,71	249	9,80	163	6,40
P31-OUTSIDE RISER 45° 75X300	304	11,97	120	4,71	249	9,80	163	6,40
P31-OUTSIDE RISER 45° 75X400	404	15,91	120	4,71	249	9,80	163	6,40
P31-OUTSIDE RISER 45° 75X500	504	19,84	120	4,71	249	9,80	163	6,40
P31-OUTSIDE RISER 45° 75X600	604	23,78	120	4,71	249	9,80	163	6,40



## 4. INSTALLATION

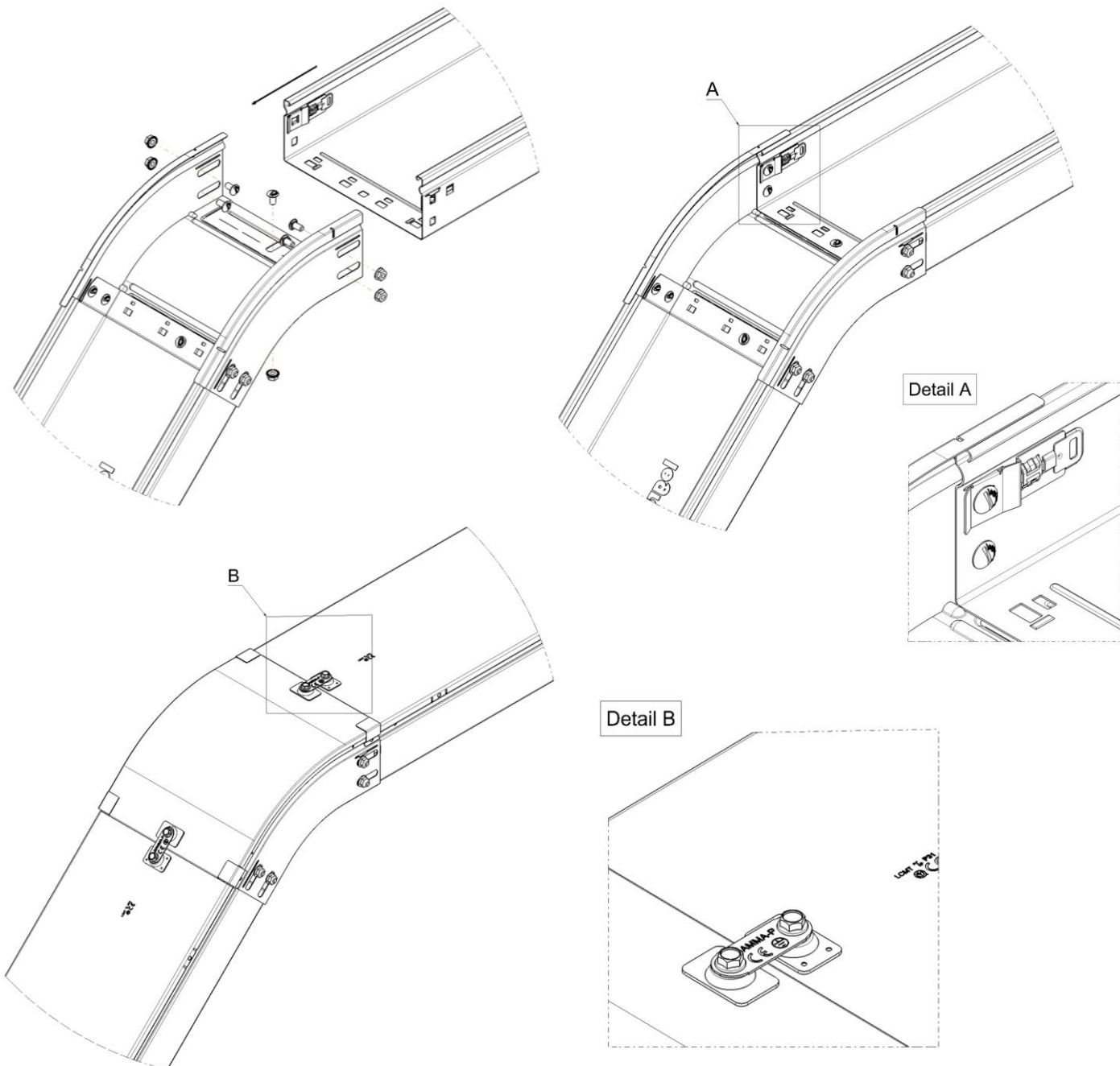
### ■ 4.1 Screw

Use screws M6x12 tightened at 11Nm

Reference(s): 341895/ 03V1M610Z (PG)  
485035 (Zn-Ni)  
346895/ 03V1M610L (SS316L)  
341708 / 31X99X999 (PG)  
346474 / 31X99X99X (SWS316L)

### ■ 4.2 Fitting to cable tray

Outside riser riser height 75 are assembled using 10 screws M6x12 on the side and on the bottom.  
The screws in the middle is optional up to and included width 300mm.



## 5. TECHNICAL DATA

### ■ 5.1 Climatic characteristics

Storage and operating temperature: - 20° C à + 120° C

### ■ 5.2 Material characteristics

Material finish	Material	Standard	Resistance class against corrosion
PG	DX51D + Z200	EN 10346	Classe 3 - CEI 61537
BLUE	DX51D + Z200	EN 10346	Classe 3 - CEI 61537
HDG	DC 01	EN 10130	Classe 6 - CEI 61537
SS304	X5CrNi18-10	EN 10 088-2	Classe 9A - CEI 61537
SS316L	X2CrNiMo17-12-2	EN 10 088-2	Classe 9B - CEI 61537

## 6. CONFORMITY - CERTIFICATION

Comply with CEI 61537 Cable tray systems

Certification: CE, IMQ