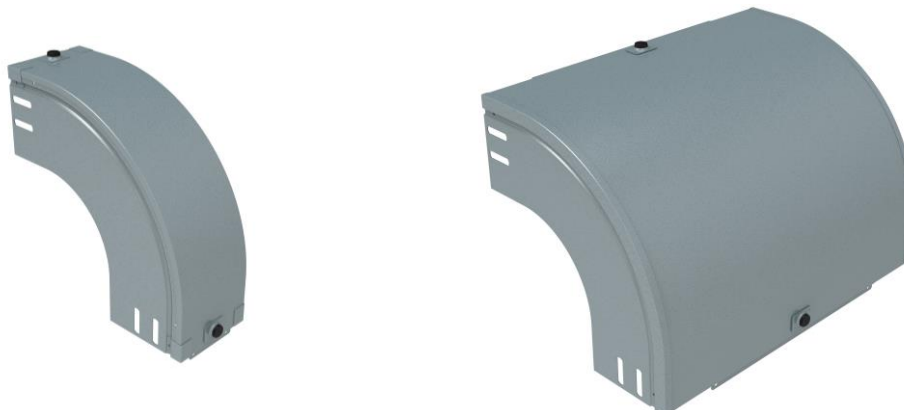


P31-OUTSIDE RISER 90° H100 + COVER

Reference(s): 4804../92/93/94/95/96/97-480733
4824../92/93/94/95/96/97-482501
4844../92/93/94/95/96/97



1. USE

Outside riser 90° in H100 with cover.

2. RANGE BLIND

■ 2.1 Outside riser 90° H100 + cover blind PG

Description	Code	Width		Weight		Thickness		Coating	Section	
		(mm)	(inch)	(Kg)	(lb)	(mm)	(inch)		(mm²)	(inch²)
P31-OUTSIDE RISER 90° 100X100 PG	480492	100	3,94	0,98	2,15	0,7	0,03	PG	10231	15,86
P31-OUTSIDE RISER 90° 100X150 PG	480493	150	5,91	1,17	2,57	0,7	0,03	PG	15296	23,71
P31-OUTSIDE RISER 90° 100X200 PG	480494	200	7,87	1,37	3,02	0,7	0,03	PG	20361	31,56
P31-OUTSIDE RISER 90° 100X300 PG	480495	300	11,81	1,77	3,91	0,7	0,03	PG	30491	47,26
P31-OUTSIDE RISER 90° 100X400 PG	480496	400	15,75	2,15	4,73	0,7	0,03	PG	40621	62,96
P31-OUTSIDE RISER 90° 100X500 PG	480497	500	19,69	2,53	5,58	0,7	0,03	PG	50751	78,66
P31-OUTSIDE RISER 90° 100X600 PG	480733	600	23,62	2,92	6,44	0,7	0,03	PG	60881	94,37

■ 2.2 Outside riser 90° H100 + cover blind HDG

Description	Code	Width		Weight		Thickness		Coating	Section	
		(mm)	(inch)	(Kg)	(lb)	(mm)	(inch)		(mm²)	(inch²)
P31-OUTSIDE RISER 90° 100X100 HDG	482492	100	3,94	0,93	2,05	0,7	0,03	HDG	10231	15,86
P31-OUTSIDE RISER 90° 100X150 HDG	482493	150	5,91	1,28	2,83	0,7	0,03	HDG	15296	23,71
P31-OUTSIDE RISER 90° 100X200 HDG	482494	200	7,87	1,51	3,32	0,7	0,03	HDG	20361	31,56
P31-OUTSIDE RISER 90° 100X300 HDG	482495	300	11,81	1,95	4,30	0,7	0,03	HDG	30491	47,26
P31-OUTSIDE RISER 90° 100X400 HDG	482496	400	15,75	2,36	5,21	0,7	0,03	HDG	40621	62,96
P31-OUTSIDE RISER 90° 100X500 HDG	482497	500	19,69	2,78	6,14	0,7	0,03	HDG	50751	78,66
P31-OUTSIDE RISER 90° 100X600 HDG	482501	600	23,62	3,21	7,08	0,7	0,03	HDG	60881	94,37

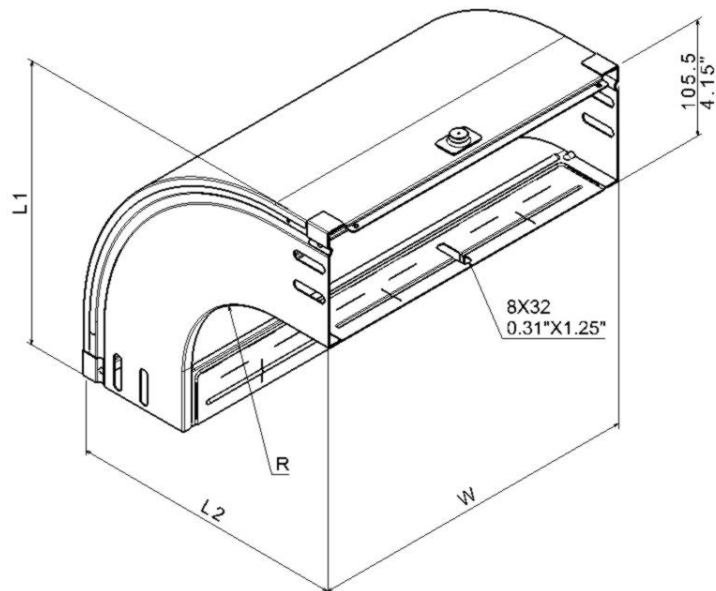
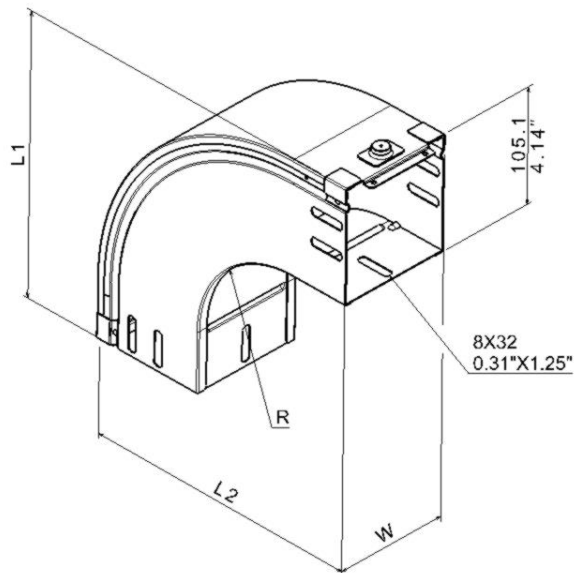
■ 2.3 Outside riser 90° H100 + cover blind BLUE

Description	Code	Width		Weight		Thickness		Coating	Section	
		(mm)	(inch)	(Kg)	(lb)	(mm)	(inch)		(mm²)	(inch²)
P31-OUTSIDE RISER 90° 100X100 BLUE	484492	100	3,94	0,98	2,15	0,7	0,03	BLUE	10231	15,86
P31-OUTSIDE RISER 90° 100X150 BLUE	484493	150	5,91	1,17	2,57	0,7	0,03	BLUE	15296	23,71
P31-OUTSIDE RISER 90° 100X200 BLUE	484494	200	7,87	1,37	3,02	0,7	0,03	BLUE	20361	31,56
P31-OUTSIDE RISER 90° 100X300 BLUE	484495	300	11,81	1,77	3,91	0,7	0,03	BLUE	30491	47,26
P31-OUTSIDE RISER 90° 100X400 BLUE	484496	400	15,75	2,15	4,73	0,7	0,03	BLUE	40621	62,96
P31-OUTSIDE RISER 90° 100X500 BLUE	484497	500	19,69	2,53	5,58	0,7	0,03	BLUE	50751	78,66

3. DIMENSIONS (mm/inch)

■ **3.1 Fitting dimensions**

Description	Width		Radius		L1		L2	
	(mm)	(inch)	(mm)	(inch)	(mm)	(inch)	(mm)	(inch)
P31-OUTSIDE RISER 90° 100X100	104	4,09	97	3,80	256	10,10	256	10,10
P31-OUTSIDE RISER 90° 100X150	154	6,06	97	3,80	256	10,10	256	10,10
P31-OUTSIDE RISER 90° 100X200	204	8,03	97	3,80	256	10,10	256	10,10
P31-OUTSIDE RISER 90° 100X300	304	11,97	97	3,80	256	10,10	256	10,10
P31-OUTSIDE RISER 90° 100X400	404	15,91	97	3,80	256	10,10	256	10,10
P31-OUTSIDE RISER 90° 100X500	504	19,84	97	3,80	256	10,10	256	10,10
P31-OUTSIDE RISER 90° 100X600	604	23,78	97	3,80	256	10,10	256	10,10



4. INSTALLATION

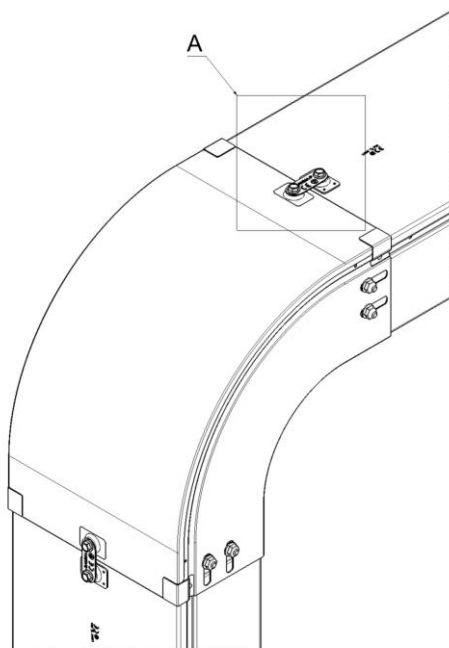
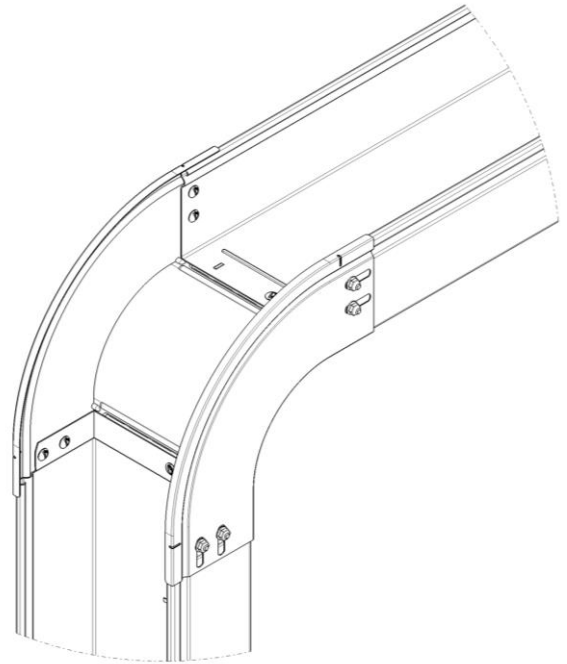
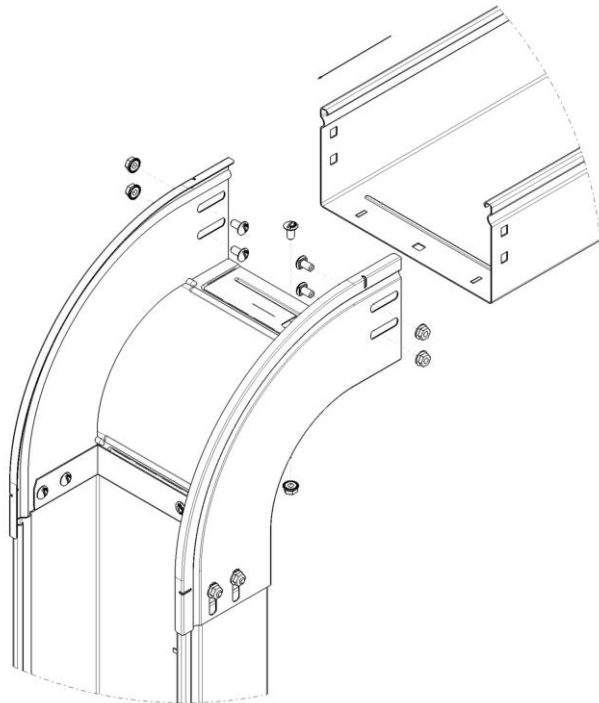
■ 4.1 Screw

Use screws M6x12 tightened at 11Nm

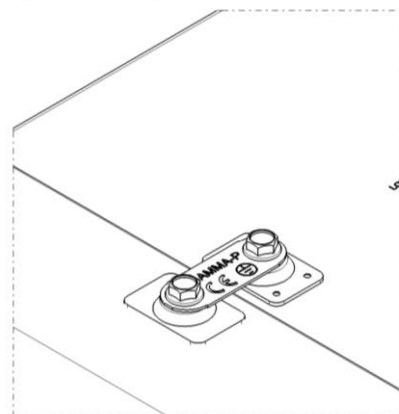
Reference(s): 341895/ 03V1M610Z (PG)
485035 (Zn-Ni)
346895/ 03V1M610L (SS316L)
341708 / 31X99X999 (PG)
346474 / 31X99X99X (SS316L)

■ 4.2 Fitting to cable tray

Outside riser riser height 100 are assembled using 10 screws M6x12 on the side and on the bottom.
The screws in the middle is optional up to and included width 300mm.



Detail A



5. TECHNICAL DATA

■ 5.1 Climatic characteristics

Storage and operating temperature: - 20° C à + 120° C

■ 5.2 Material characteristics

Material finish	Material	Standard	Resistance class against corrosion
PG	DX51D + Z200	EN 10346	Classe 3 - CEI 61537
BLUE	DX51D + Z200	EN 10346	Classe 3 - CEI 61537
HDG	DC 01	EN 10130	Classe 6 - CEI 61537
SS304	X5CrNi18-10	EN 10 088-2	Classe 9A - CEI 61537
SS316L	X2CrNiMo17-12-2	EN 10 088-2	Classe 9B - CEI 61537

6. CONFORMITY - CERTIFICATION

Comply with CEI 61537 Cable tray systems

Certification: CE, IMQ