

P31-OUTSIDE RISER 90° TWIST H75 + COVER

Reference(s): AP../075Z/100Z/150Z/200Z/300Z/400Z/500Z/600Z
AP../075C/100C/150C/200C/300C/400C/500C/600C
AP../075L/100L/150L/200L/300L/400L/500L/600L
AP../075G/100G/150G/200G/300G/400G/500G/600G



1. USE

Outside riser 90° Twist in H75 with cover.

2. RANGE BLIND

■ 2.1 Outside riser 90° twist H75 + cover blind PG

Description	Code	Width		Weight		Thickness		Coating	Section	
		(mm)	(inch)	(Kg)	(lb)	(mm)	(inch)		(mm²)	(inch²)
P31-OUTSIDE RISER 90° 75X75 PG	AP075Z	77	3,03	0,76	1,66	0,7	0,03	PG	6107	9,47
P31-OUTSIDE RISER 90° 75X100 PG	AP100Z	100	3,94	0,85	1,87	0,7	0,03	PG	7908	12,26
P31-OUTSIDE RISER 90° 75X150 PG	AP150Z	150	5,91	1,05	2,31	0,7	0,03	PG	11823	18,33
P31-OUTSIDE RISER 90° 75X200 PG	AP200Z	200	7,87	1,25	2,75	0,7	0,03	PG	15738	24,39
P31-OUTSIDE RISER 90° 75X300 PG	AP300Z	300	11,81	1,65	3,64	0,7	0,03	PG	23568	36,53
P31-OUTSIDE RISER 90° 75X400 PG	AP400Z	400	15,75	2,05	4,53	0,7	0,03	PG	31398	48,67
P31-OUTSIDE RISER 90° 75X500 PG	AP500Z	500	19,69	2,45	5,40	0,7	0,03	PG	39228	60,80
P31-OUTSIDE RISER 90° 75X600 PG	AP600Z	600	23,62	2,85	6,28	0,7	0,03	PG	47058	72,94

■ 2.2 Outside riser 90° twist H75 + cover blind HDG

Description	Code	Width		Weight		Thickness		Coating	Section	
		(mm)	(inch)	(Kg)	(lb)	(mm)	(inch)		(mm²)	(inch²)
P31-OUTSIDE RISER 90° 75X75 HDG	AP075C	77	3,03	0,83	1,83	0,7	0,03	HDG	6107	9,47
P31-OUTSIDE RISER 90° 75X100 HDG	AP100C	100	3,94	0,93	2,05	0,7	0,03	HDG	7908	12,26
P31-OUTSIDE RISER 90° 75X150 HDG	AP150C	150	5,91	1,15	2,54	0,7	0,03	HDG	11823	18,33
P31-OUTSIDE RISER 90° 75X200 HDG	AP200C	200	7,87	1,37	3,03	0,7	0,03	HDG	15738	24,39
P31-OUTSIDE RISER 90° 75X300 HDG	AP300C	300	11,81	1,81	4,00	0,7	0,03	HDG	23568	36,53
P31-OUTSIDE RISER 90° 75X400 HDG	AP400C	400	15,75	2,26	4,98	0,7	0,03	HDG	31398	48,67
P31-OUTSIDE RISER 90° 75X500 HDG	AP500C	500	19,69	2,70	5,94	0,7	0,03	HDG	39228	60,80
P31-OUTSIDE RISER 90° 75X600 HDG	AP600C	600	23,62	3,13	6,90	0,7	0,03	HDG	47058	72,94

■ 2.3 Outside riser 90° twist H75 + cover blind BLUE

Description	Code	Width		Weight		Thickness		Coating	Section	
		(mm)	(inch)	(Kg)	(lb)	(mm)	(inch)		(mm²)	(inch²)
P31-OUTSIDE RISER 90° 75X75 BLUE	AP075G	77	3,03	0,76	1,66	0,7	0,03	BLUE	6107	9,47
P31-OUTSIDE RISER 90° 75X100 BLUE	AP100G	100	3,94	0,85	1,87	0,7	0,03	BLUE	7908	12,26
P31-OUTSIDE RISER 90° 75X150 BLUE	AP150G	150	5,91	1,05	2,31	0,7	0,03	BLUE	11823	18,33
P31-OUTSIDE RISER 90° 75X200 BLUE	AP200G	200	7,87	1,25	2,75	0,7	0,03	BLUE	15738	24,39
P31-OUTSIDE RISER 90° 75X300 BLUE	AP300G	300	11,81	1,65	3,64	0,7	0,03	BLUE	23568	36,53
P31-OUTSIDE RISER 90° 75X400 BLUE	AP400G	400	15,75	2,05	4,53	0,7	0,03	BLUE	31398	48,67
P31-OUTSIDE RISER 90° 75X500 BLUE	AP500G	500	19,69	2,45	5,40	0,7	0,03	BLUE	39228	60,80
P31-OUTSIDE RISER 90° 75X600 BLUE	AP600G	600	23,62	2,85	6,28	0,7	0,03	BLUE	47058	72,94

**P31-OUTSIDE RISER 90° TWIST H75
+ COVER**

Reference(s): AP../075Z/100Z/150Z/200Z/300Z/400Z/500Z/600Z
AP../075C/100C/150C/200C/300C/400C/500C/600C
AP../075L/100L/150L/200L/300L/400L/500L/600L
AP../075G/100G/150G/200G/300G/400G/500G/600G

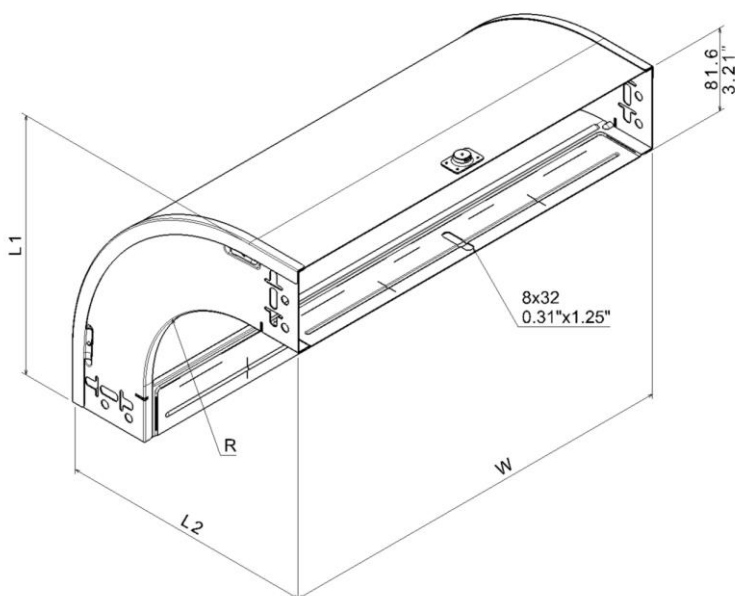
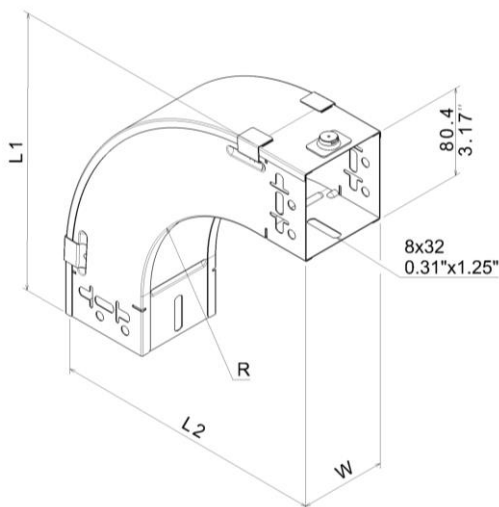
■ **2.4 Outside riser 90° twist H75 + cover blind SS316L**

Description	Code	Width		Weight		Thickness		Coating	Section	
		(mm)	(inch)	(Kg)	(lb)	(mm)	(inch)		(mm ²)	(inch ²)
P31-OUTSIDE RISER 90° 75X75 SS 316L	AP075L	77	3,03	0,76	1,66	0,7	0,03	SS 316L	6107	9,47
P31-OUTSIDE RISER 90° 75X100 SS 316L	AP100L	100	3,94	0,85	1,87	0,7	0,03	SS 316L	7908	12,26
P31-OUTSIDE RISER 90° 75X150 SS 316L	AP150L	150	5,91	1,05	2,31	0,7	0,03	SS 316L	11823	18,33
P31-OUTSIDE RISER 90° 75X200 SS 316L	AP200L	200	7,87	1,25	2,75	0,7	0,03	SS 316L	15738	24,39
P31-OUTSIDE RISER 90° 75X300 SS 316L	AP300L	300	11,81	1,65	3,64	0,7	0,03	SS 316L	23568	36,53
P31-OUTSIDE RISER 90° 75X400 SS 316L	AP400L	400	15,75	2,05	4,53	0,7	0,03	SS 316L	31398	48,67
P31-OUTSIDE RISER 90° 75X500 SS 316L	AP500L	500	19,69	2,45	5,40	0,7	0,03	SS 316L	39228	60,80
P31-OUTSIDE RISER 90° 75X600 SS 316L	AP600L	600	23,62	2,85	6,28	0,7	0,03	SS 316L	47058	72,94

3. DIMENSIONS (mm/inch)

■ 3.1 Fitting dimensions

Description	Width		Radius		L1		L2	
	(mm)	(inch)	(mm)	(inch)	(mm)	(inch)	(mm)	(inch)
P31-OUTSIDE RISER 90° 75X75	81	3,19	120	4,71	255	10,04	255	10,04
P31-OUTSIDE RISER 90° 75X100	104	4,09	120	4,71	255	10,04	255	10,04
P31-OUTSIDE RISER 90° 75X150	154	6,06	120	4,71	255	10,04	255 <td 10,04	
P31-OUTSIDE RISER 90° 75X200	204	8,03	120	4,71	255	10,04	255	10,04
P31-OUTSIDE RISER 90° 75X300	304	11,97	120	4,71	255	10,04	255	10,04
P31-OUTSIDE RISER 90° 75X400	404	15,91	120	4,71	256	10,08	256	10,08
P31-OUTSIDE RISER 90° 75X500	504	19,84	120	4,71	256	10,08	256	10,08
P31-OUTSIDE RISER 90° 75X600	604	23,78	120	4,71	256	10,08	256	10,08



4. INSTALLATION

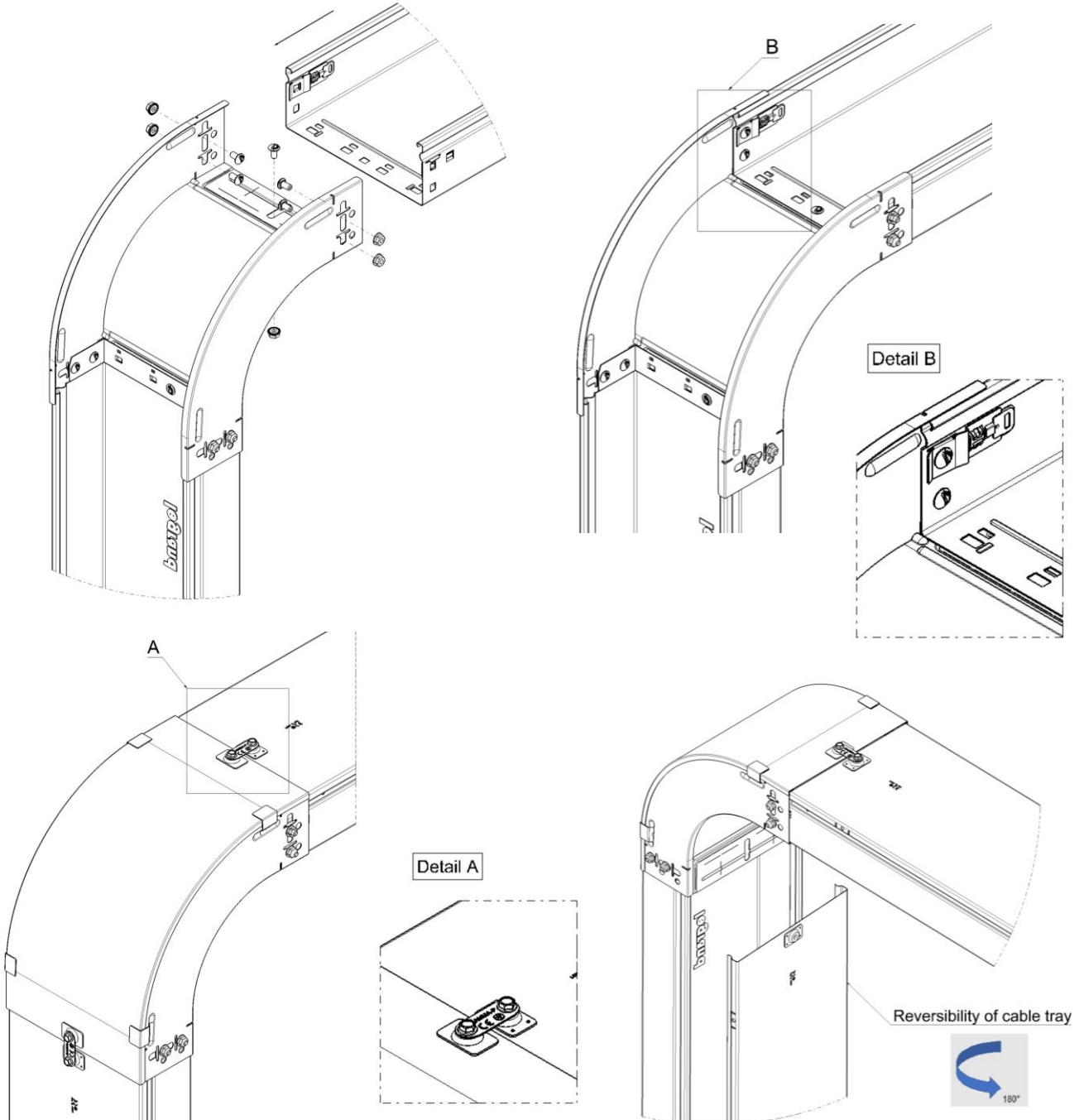
■ 4.1 Screw

Use screws M6x12 tightened at 11Nm

Reference(s): 341895/ 03V1M610Z (PG)
485035 (Zn-Ni)
346895/ 03V1M610L (SS316L)
341708 / 31X99X999 (PG)
346474 / 31X99X99X (SS316L)

■ 4.2 Fitting to cable tray

Outside riser riser height 75 are assembled using 10 screws M6x12 on the side and on the bottom.
The screws in the middle is optional up to and included width 300mm.



5. TECHNICAL DATA

■ 5.1 Climatic characteristics

Storage and operating temperature: - 20° C à + 120° C

■ 5.2 Material characteristics

Material finish	Material	Standard	Resistance class against corrosion
PG	DX51D + Z200	EN 10346	Classe 3 - CEI 61537
BLUE	DX51D + Z200	EN 10346	Classe 3 - CEI 61537
HDG	DC 01	EN 10130	Classe 6 - CEI 61537
SS304	X5CrNi18-10	EN 10 088-2	Classe 9A - CEI 61537
SS316L	X2CrNiMo17-12-2	EN 10 088-2	Classe 9B - CEI 61537

6. CONFORMITY - CERTIFICATION

Comply with CEI 61537 Cable tray systems

Certification: CE, IMQ