

P31-OUTSIDE RISER 90° TWIST H75

Reference(s): BP../075Z/100Z/150Z/200Z/300Z/400Z/500Z/600Z
BP../075C/100C/150C/200C/300C/400C/500C/600C
BP../075L/100L/150L/200L/300L/400L/500L/600L



1. USE

Outside riser 90° Twist in H75.

2. RANGE BLIND

■ 2.1 Outside riser 90° twist H75 blind PG

Description	Code	Width		Weight		Thickness		Coating	Section	
		(mm)	(inch)	(Kg)	(lb)	(mm)	(inch)		(mm²)	(inch²)
P31-OUTSIDE RISER 90° 75X75 PG	BP075Z	77	3,03	0,50	1,11	0,7	0,03	PG	6107	9,47
P31-OUTSIDE RISER 90° 75X100 PG	BP100Z	100	3,94	0,59	1,31	0,7	0,03	PG	7908	12,26
P31-OUTSIDE RISER 90° 75X150 PG	BP150Z	150	5,91	0,62	1,38	0,7	0,03	PG	11823	18,33
P31-OUTSIDE RISER 90° 75X200 PG	BP200Z	200	7,87	0,71	1,56	0,7	0,03	PG	15738	24,39
P31-OUTSIDE RISER 90° 75X300 PG	BP300Z	300	11,81	0,88	1,93	0,7	0,03	PG	23568	36,53
P31-OUTSIDE RISER 90° 75X400 PG	BP400Z	400	15,75	1,04	2,30	0,7	0,03	PG	31398	48,67
P31-OUTSIDE RISER 90° 75X500 PG	BP500Z	500	19,69	1,21	2,67	0,7	0,03	PG	39228	60,80
P31-OUTSIDE RISER 90° 75X600 PG	BP600Z	600	23,62	1,38	3,04	0,7	0,03	PG	47058	72,94

■ 2.2 Outside riser 90° twist H75 blind HDG

Description	Code	Width		Weight		Thickness		Coating	Section	
		(mm)	(inch)	(Kg)	(lb)	(mm)	(inch)		(mm²)	(inch²)
P31-OUTSIDE RISER 90° 75X75 HDG	BP075C	77	3,03	0,55	1,22	0,7	0,03	HDG	6107	9,47
P31-OUTSIDE RISER 90° 75X100 HDG	BP100C	100	3,94	0,59	1,31	0,7	0,03	HDG	7908	12,26
P31-OUTSIDE RISER 90° 75X150 HDG	BP150C	150	5,91	0,69	1,51	0,7	0,03	HDG	11823	18,33
P31-OUTSIDE RISER 90° 75X200 HDG	BP200C	200	7,87	0,78	1,72	0,7	0,03	HDG	15738	24,39
P31-OUTSIDE RISER 90° 75X300 HDG	BP300C	300	11,81	0,96	2,13	0,7	0,03	HDG	23568	36,53
P31-OUTSIDE RISER 90° 75X400 HDG	BP400C	400	15,75	1,15	2,53	0,7	0,03	HDG	31398	48,67
P31-OUTSIDE RISER 90° 75X500 HDG	BP500C	500	19,69	1,33	2,93	0,7	0,03	HDG	39228	60,80
P31-OUTSIDE RISER 90° 75X600 HDG	BP600C	600	23,62	1,52	3,34	0,7	0,03	HDG	47058	72,94

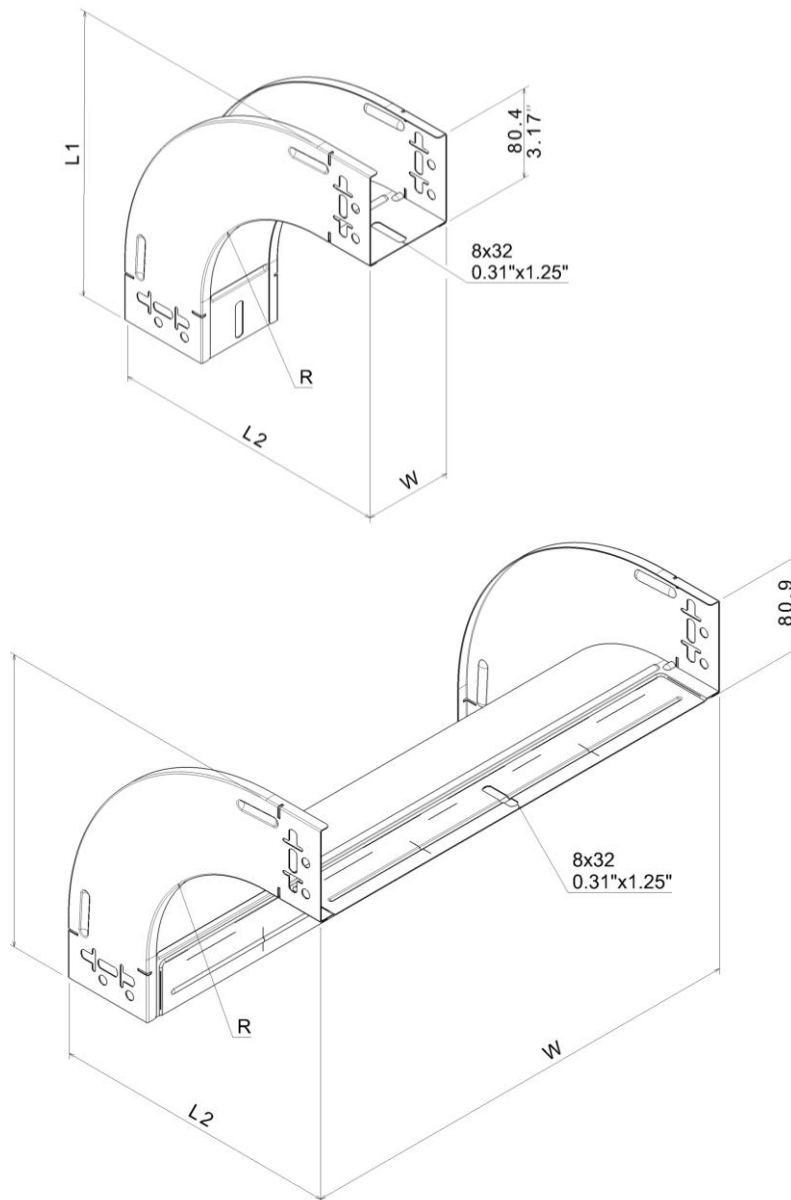
■ 2.3 Outside riser 90° twist H75 blind SS 316L

Description	Code	Width		Weight		Thickness		Coating	Section	
		(mm)	(inch)	(Kg)	(lb)	(mm)	(inch)		(mm²)	(inch²)
P31-OUTSIDE RISER 90° 75X75 SS 316L	BP075L	77	3,03	0,50	1,11	0,7	0,03	SS 316L	6107	9,47
P31-OUTSIDE RISER 90° 75X100 SS 316L	BP100L	100	3,94	0,59	1,31	0,7	0,03	SS 316L	7908	12,26
P31-OUTSIDE RISER 90° 75X150 SS 316L	BP150L	150	5,91	0,62	1,38	0,7	0,03	SS 316L	11823	18,33
P31-OUTSIDE RISER 90° 75X200 SS 316L	BP200L	200	7,87	0,71	1,56	0,7	0,03	SS 316L	15738	24,39
P31-OUTSIDE RISER 90° 75X300 SS 316L	BP300L	300	11,81	0,88	1,93	0,7	0,03	SS 316L	23568	36,53
P31-OUTSIDE RISER 90° 75X400 SS 316L	BP400L	400	15,75	1,04	2,30	0,7	0,03	SS 316L	31398	48,67
P31-OUTSIDE RISER 90° 75X500 SS 316L	BP500L	500	19,69	1,21	2,67	0,7	0,03	SS 316L	39228	60,80
P31-OUTSIDE RISER 90° 75X600 SS 316L	BP600L	600	23,62	1,38	3,04	0,7	0,03	SS 316L	47058	72,94

3. DIMENSIONS (mm/inch)

■ **3.1 Fitting dimensions**

Description	Width		Radius		L1		L2	
	(mm)	(inch)	(mm)	(inch)	(mm)	(inch)	(mm)	(inch)
P31-OUTSIDE RISER 90° 75X75	79	3,11	120	4,71	255	10,04	255	10,04
P31-OUTSIDE RISER 90° 75X100	102	4,02	120	4,71	255	10,04	255	10,04
P31-OUTSIDE RISER 90° 75X150	152	5,98	120	4,71	255	10,04	255	10,04
P31-OUTSIDE RISER 90° 75X200	202	7,95	120	4,71	255	10,04	255	10,04
P31-OUTSIDE RISER 90° 75X300	302	11,89	120	4,71	255	10,04	255	10,04
P31-OUTSIDE RISER 90° 75X400	402	15,83	120	4,71	255	10,04	255	10,04
P31-OUTSIDE RISER 90° 75X500	502	19,76	120	4,71	255	10,04	255	10,04
P31-OUTSIDE RISER 90° 75X600	602	23,70	120	4,71	255	10,04	255	10,04



4. INSTALLATION

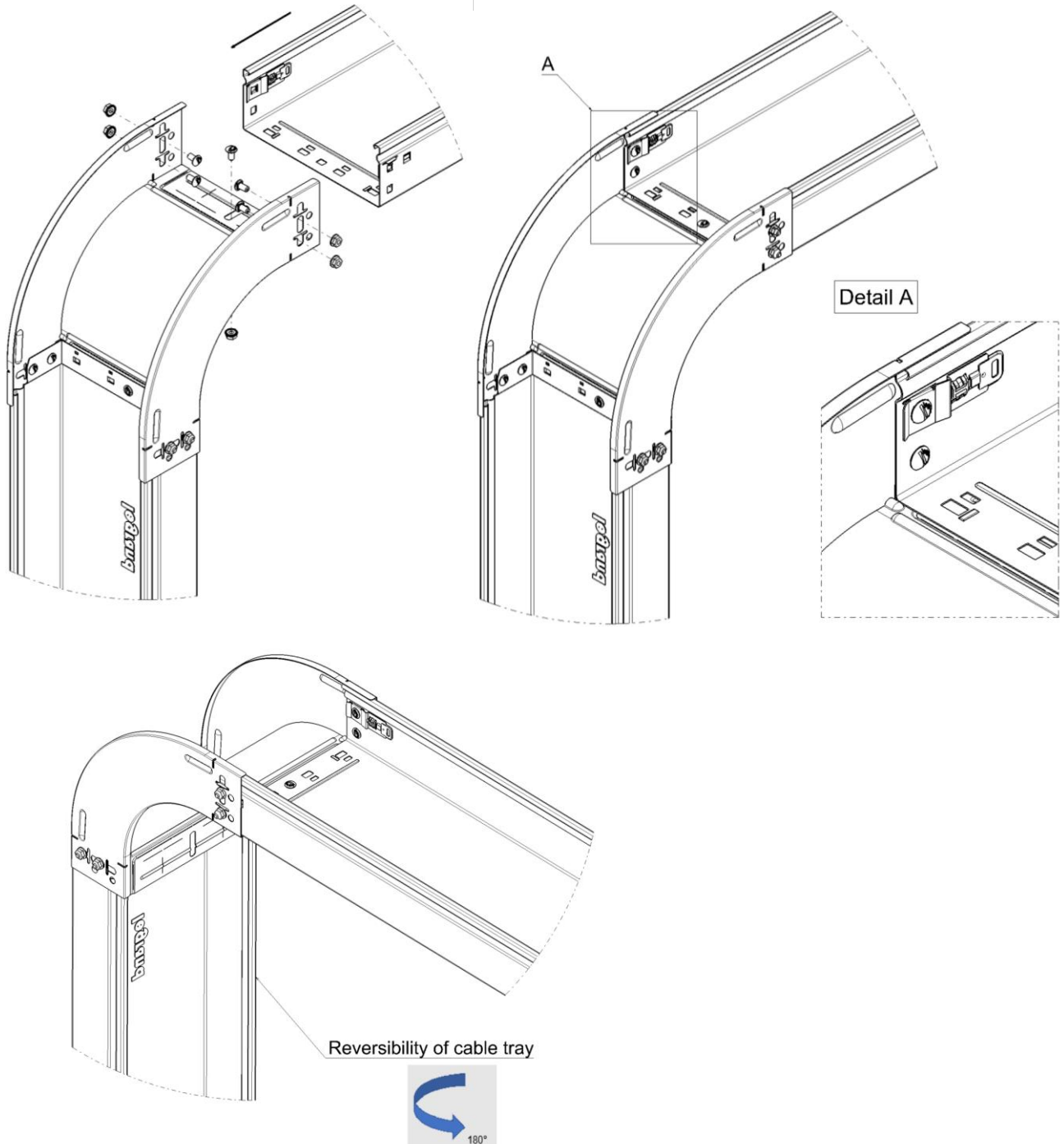
■ 4.1 Screw

Use screws M6x12 tightened at 11Nm

Reference(s): 341895/ 03V1M610Z (PG)
485035 (Zn-Ni)
346895/ 03V1M610L (SS316L)

■ 4.2 Fitting to cable tray

Outside riser height 75 are assembled using 10 screws M6x12 on the side and on the bottom.
The screws in the middle is optional up to and included width 300mm.



5. TECHNICAL DATA

■ 5.1 Climatic characteristics

Storage and operating temperature: - 20° C à + 120° C

■ 5.2 Material characteristics

Material finish	Material	Standard	Resistance class against corrosion
PG	DX51D + Z200	EN 10346	Classe 3 - CEI 61537
BLUE	DX51D + Z200	EN 10346	Classe 3 - CEI 61537
HDG	DC 01	EN 10130	Classe 6 - CEI 61537
SS304	X5CrNi18-10	EN 10 088-2	Classe 9A - CEI 61537
SS316L	X2CrNiMo17-12-2	EN 10 088-2	Classe 9B - CEI 61537

6. CONFORMITY - CERTIFICATION

Comply with CEI 61537 Cable tray systems

Certification: CE, IMQ