

## P31-OUTSIDE RISER 90° TWIST H50 + COVER

Reference(s): 4804../77/78/79/80/81/82/83  
4824../77/78/79/80/81/82/83  
4844../77/78/79/80/81/82/83



### 1. USE

Outside riser 90° Twist in H50 with cover.

### 2. RANGE BLIND

#### ■ 2.1 Outside riser 90° twist H50 + cover blind PG

Description	Code	Width		Weight		Thickness		Coating	Section	
		(mm)	(inch)	(Kg)	(lb)	(mm)	(inch)		(mm²)	(inch²)
P31-OUTSIDE RISER 90° 50X100 PG	480477	100	3,94	0,79	1,74	0,7	0,03	PG	5181	8,03
P31-OUTSIDE RISER 90° 50X150 PG	480478	150	5,91	1,00	2,21	0,7	0,03	PG	7746	12,01
P31-OUTSIDE RISER 90° 50X200 PG	480479	200	7,87	1,21	2,67	0,7	0,03	PG	10311	15,98
P31-OUTSIDE RISER 90° 50X300 PG	480480	300	11,81	1,63	3,60	0,7	0,03	PG	15441	23,93
P31-OUTSIDE RISER 90° 50X400 PG	480481	400	15,75	2,06	4,54	0,7	0,03	PG	20571	31,89
P31-OUTSIDE RISER 90° 50X500 PG	480482	500	19,69	2,48	5,47	0,7	0,03	PG	25701	39,84
P31-OUTSIDE RISER 90° 50X600 PG	480483	600	23,62	2,90	6,40	0,7	0,03	PG	30831	47,79

#### ■ 2.2 Outside riser 90° twist H50 + cover blind HDG

Description	Code	Width		Weight		Thickness		Coating	Section	
		(mm)	(inch)	(Kg)	(lb)	(mm)	(inch)		(mm²)	(inch²)
P31-OUTSIDE RISER 90° 50X100 HDG	482477	100	3,94	0,93	2,05	0,7	0,03	HDG	5181	8,03
P31-OUTSIDE RISER 90° 50X150 HDG	482478	150	5,91	1,10	2,43	0,7	0,03	HDG	7746	12,01
P31-OUTSIDE RISER 90° 50X200 HDG	482479	200	7,87	1,33	2,93	0,7	0,03	HDG	10311	15,98
P31-OUTSIDE RISER 90° 50X300 HDG	482480	300	11,81	1,80	3,96	0,7	0,03	HDG	15441	23,93
P31-OUTSIDE RISER 90° 50X400 HDG	482481	400	15,75	2,27	5,00	0,7	0,03	HDG	20571	31,89
P31-OUTSIDE RISER 90° 50X500 HDG	482482	500	19,69	2,73	6,02	0,7	0,03	HDG	25701	39,84
P31-OUTSIDE RISER 90° 50X600 HDG	482483	600	23,62	3,19	7,04	0,7	0,03	HDG	30831	47,79

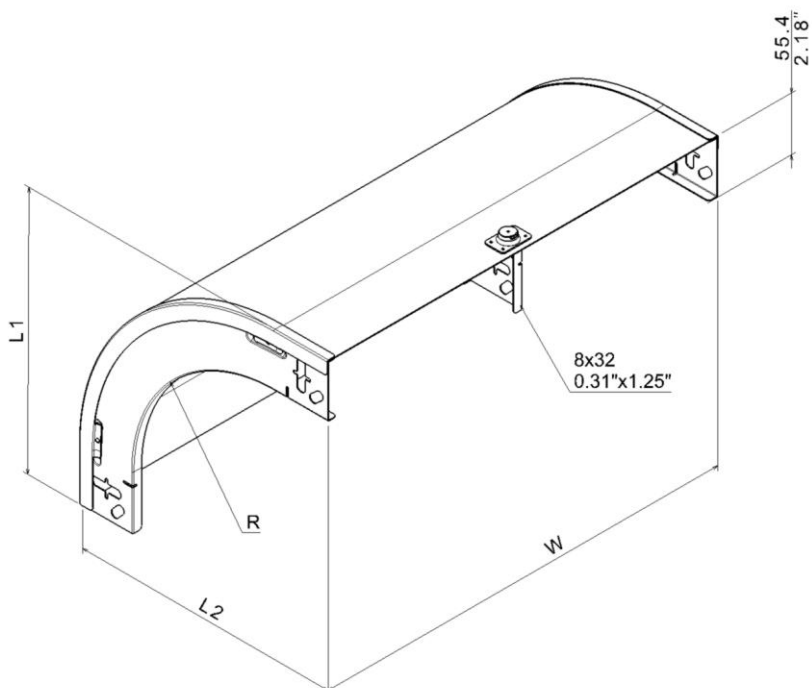
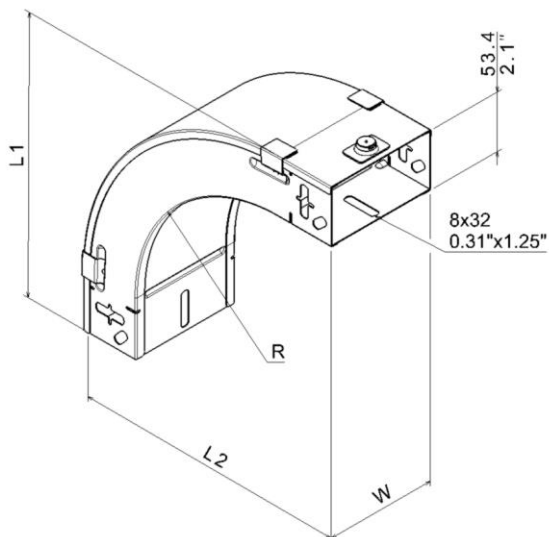
#### ■ 2.3 Outside riser 90° twist H50 + cover blind BLUE

Description	Code	Width		Weight		Thickness		Coating	Section	
		(mm)	(inch)	(Kg)	(lb)	(mm)	(inch)		(mm²)	(inch²)
P31-OUTSIDE RISER 90° 50X100 BLUE	484477	100	3,94	0,79	1,74	0,7	0,03	BLUE	5181	8,03
P31-OUTSIDE RISER 90° 50X150 BLUE	484478	150	5,91	1,00	2,21	0,7	0,03	BLUE	7746	12,01
P31-OUTSIDE RISER 90° 50X200 BLUE	484479	200	7,87	1,21	2,67	0,7	0,03	BLUE	10311	15,98
P31-OUTSIDE RISER 90° 50X300 BLUE	484480	300	11,81	1,63	3,60	0,7	0,03	BLUE	15441	23,93
P31-OUTSIDE RISER 90° 50X400 BLUE	484481	400	15,75	2,06	4,54	0,7	0,03	BLUE	20571	31,89
P31-OUTSIDE RISER 90° 50X500 BLUE	484482	500	19,69	2,48	5,47	0,7	0,03	BLUE	25701	39,84
P31-OUTSIDE RISER 90° 50X600 BLUE	484483	600	23,62	2,90	6,40	0,7	0,03	BLUE	30831	47,79

### 3. DIMENSIONS (mm/inch)

#### ■ 3.1 Fitting dimensions

Description	Width		Radius		L1		L2	
	(mm)	(inch)	(mm)	(inch)	(mm)	(inch)	(mm)	(inch)
P31-OUTSIDE RISER 90° 50X100	104	4,09	147	5,79	255	10,04	255	10,04
P31-OUTSIDE RISER 90° 50X150	154	6,06	147	5,79	255	10,04	255	10,04
P31-OUTSIDE RISER 90° 50X200	204	8,03	147	5,79	255	10,04	255	10,04
P31-OUTSIDE RISER 90° 50X300	304	11,97	147	5,79	255	10,04	255	10,04
P31-OUTSIDE RISER 90° 50X400	404	15,91	147	5,79	256	10,08	256	10,08
P31-OUTSIDE RISER 90° 50X500	504	19,84	147	5,79	256	10,08	256	10,08
P31-OUTSIDE RISER 90° 50X600	604	23,78	147	5,79	256	10,08	256	10,08



## 4. INSTALLATION

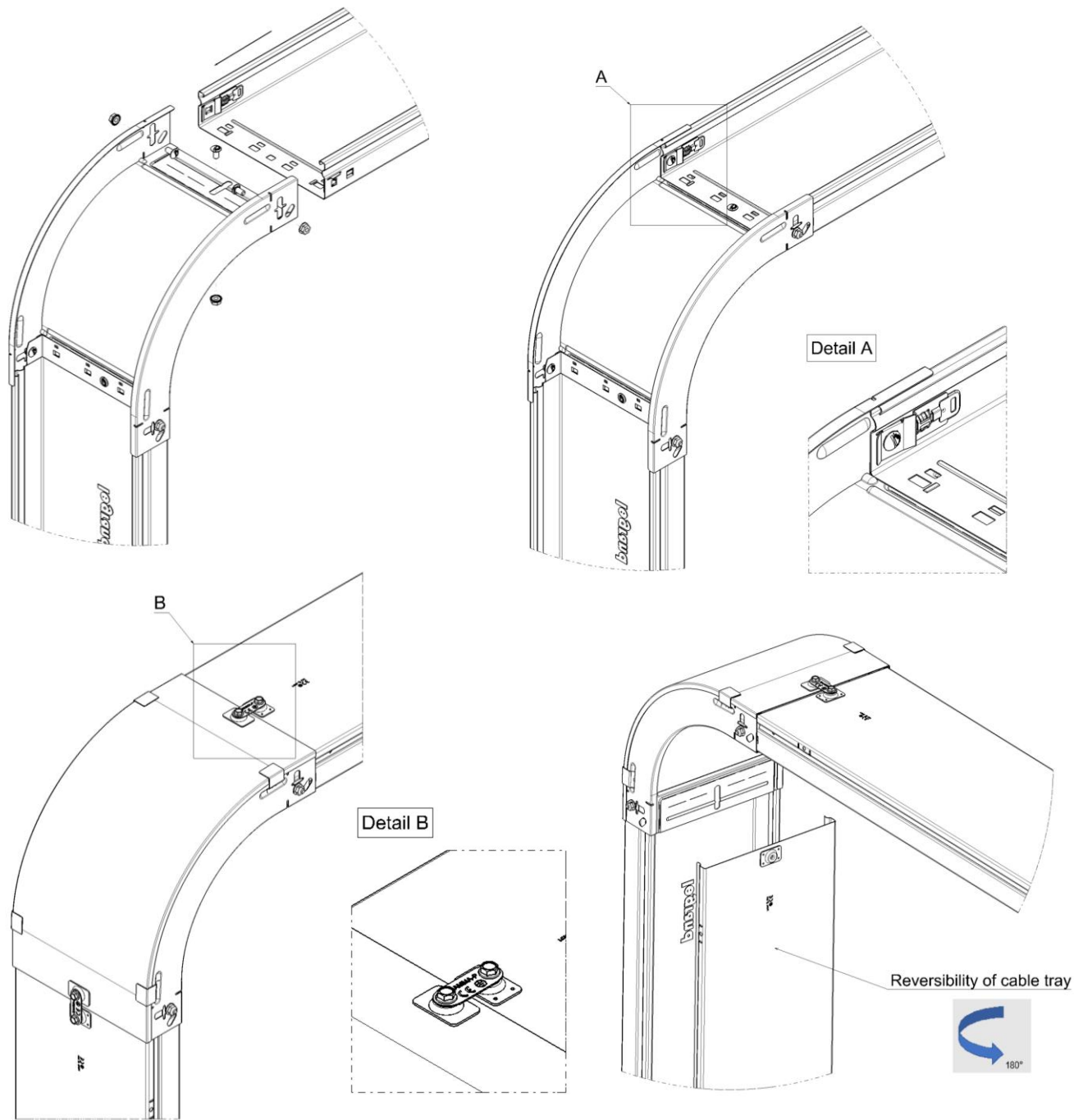
### ■ 4.1 Screw

Use screws M6x12 tightened at 11Nm

Reference(s): 341895/ 03V1M610Z (PG)  
485035 (Zn-Ni)  
346895/ 03V1M610L (SS316L)  
347708 / 31X99X999 (PG)  
346474 / 31X99X99X (SS316L)

### ■ 4.2 Fitting to cable tray

Outside riser riser height 50 are assembled using 6 screws M6x12 on the side and on the bottom.  
The screws in the middle is optional up to and included width 300mm.



## 5. TECHNICAL DATA

### ■ 5.1 Climatic characteristics

Storage and operating temperature: - 20° C à + 120° C

### ■ 5.2 Material characteristics

Material finish	Material	Standard	Resistance class against corrosion
PG	DX51D + Z200	EN 10346	Classe 3 - CEI 61537
BLUE	DX51D + Z200	EN 10346	Classe 3 - CEI 61537
HDG	DC 01	EN 10130	Classe 6 - CEI 61537
SS304	X5CrNi18-10	EN 10 088-2	Classe 9A - CEI 61537
SS316L	X2CrNiMo17-12-2	EN 10 088-2	Classe 9B - CEI 61537

## 6. CONFORMITY - CERTIFICATION

Comply with CEI 61537 Cable tray systems

Certification: CE, IMQ