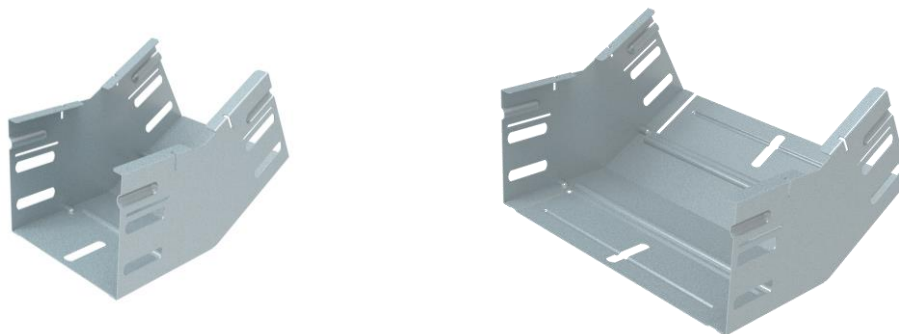


## P31 - INSIDE RISER 30° H75

Reference(s): BE../075Z/100Z/150Z/200Z/300Z  
BE../075C/100C/150C/200C/300C



### 1. USE

Inside riser 30° in H75 with blind bottom.

### 2. RANGE BLIND

#### ■ 2.1 Inside riser 30° H75 blind PG

Description	Code	Width		Weight		Thickness		Coating	Section	
		(mm)	(inch)	(Kg)	(lb)	(mm)	(inch)		(mm <sup>2</sup> )	(inch <sup>2</sup> )
P31-INSIDE RISER 30D 75X 75 PG	BE075Z	77	3,03	0,26	0,57	0,7	0,03	PG	6069	9,41
P31-INSIDE RISER 30D 75X100 PG	BE100Z	100	3,94	0,28	0,63	0,7	0,03	PG	7870	12,20
P31-INSIDE RISER 30D 75X150 PG	BE150Z	150	5,91	0,34	0,75	0,7	0,03	PG	11785	18,27
P31-INSIDE RISER 30D 75X200 PG	BE200Z	200	7,87	0,40	0,88	0,7	0,03	PG	15700	24,34
P31-INSIDE RISER 30D 75X300 PG	BE300Z	300	11,81	0,52	1,14	0,7	0,03	PG	23530	36,47

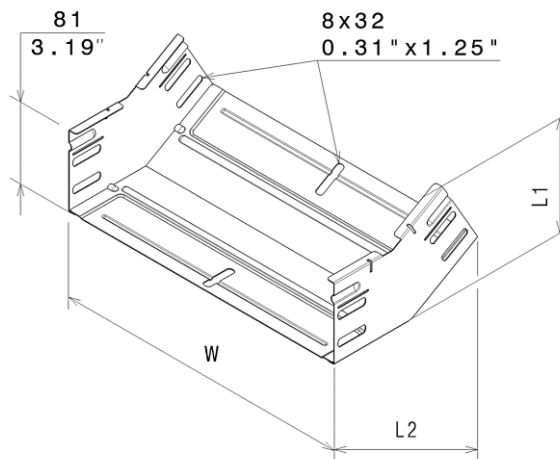
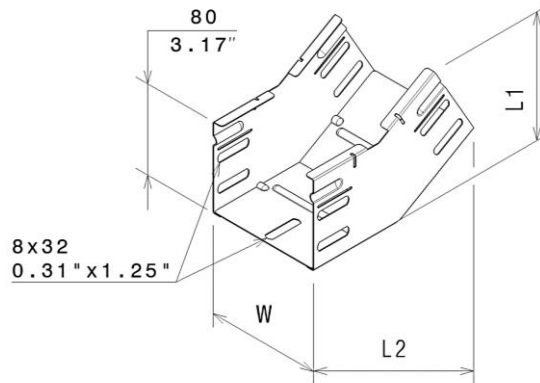
#### ■ 2.2 Inside riser 30° H75 blind HDG

Description	Code	Width		Weight		Thickness		Coating	Section	
		(mm)	(inch)	(Kg)	(lb)	(mm)	(inch)		(mm <sup>2</sup> )	(inch <sup>2</sup> )
P31-INSIDE RISER 30D 75X 75 HDG	BE075C	77	3,03	0,28	0,62	0,7	0,03	HDG	6069	9,41
P31-INSIDE RISER 30D 75X100 HDG	BE100C	100	3,94	0,31	0,69	0,7	0,03	HDG	7870	12,20
P31-INSIDE RISER 30D 75X150 HDG	BE150C	150	5,91	0,38	0,83	0,7	0,03	HDG	11785	18,27
P31-INSIDE RISER 30D 75X200 HDG	BE200C	200	7,87	0,44	0,97	0,7	0,03	HDG	15700	24,34
P31-INSIDE RISER 30D 75X300 HDG	BE300C	300	11,81	0,57	1,25	0,7	0,03	HDG	23530	36,47

**3. DIMENSIONS (mm/inch)**

■ 3.1 Fitting dimensions

Description	Width		Radius		L1		L2	
	(mm)	(inch)	(mm)	(inch)	(mm)	(inch)	(mm)	(inch)
P31-INSIDE RISER 30D 75X075	79	3,13	--	--	114	4,47	164	6,44
P31-INSIDE RISER 30D 75X100	102	4,03	--	--	114	4,47	164	6,44
P31-INSIDE RISER 30D 75X150	152	6,00	--	--	114	4,47	164	6,44
P31-INSIDE RISER 30D 75X200	202	7,97	--	--	115	4,54	164	6,45
P31-INSIDE RISER 30D 75X300	302	11,91	--	--	115	4,54	164	6,45



## 4. INSTALLATION

### ■ 4.1 Screw and tools

Use screws M6x12 tightened at 11Nm

Reference(s): 341895 / 03V1M610Z (PG)

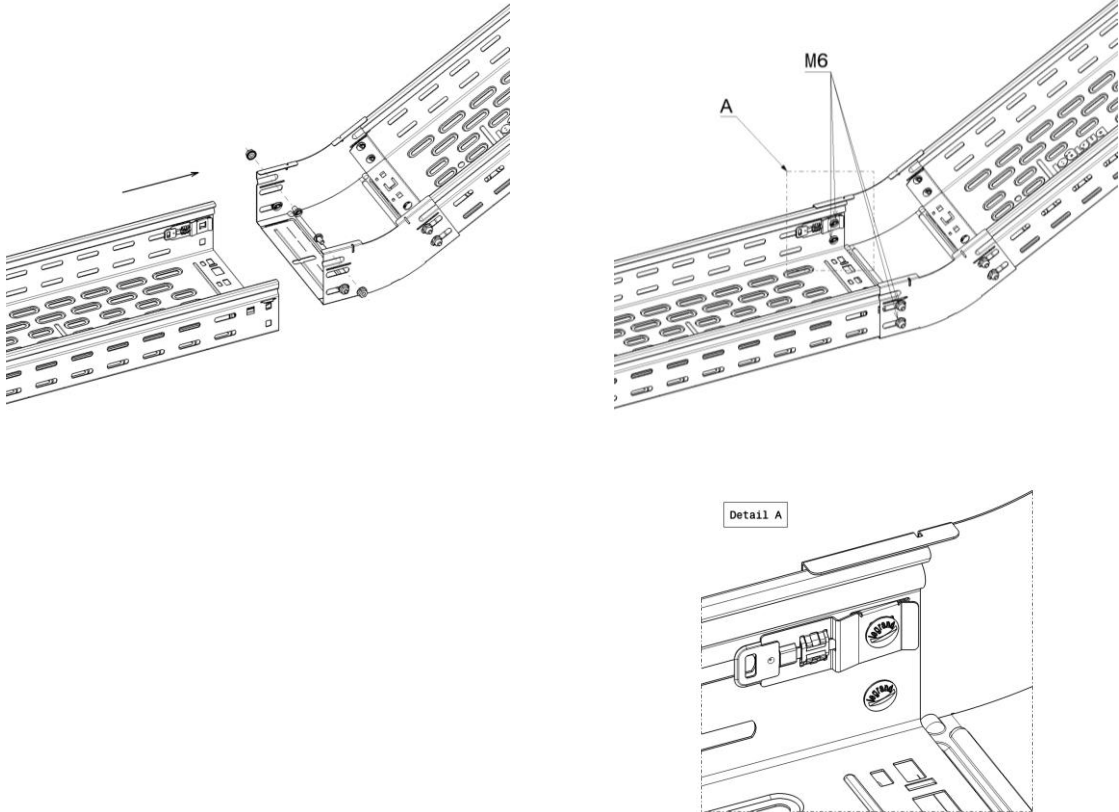
485035 (Zn-Ni)

346895/ 03V1M610L (SS316L)

### ■ 4.2 Fitting to cable tray

Inside riser height 75 are assembled using 10 screws M6x12 on the side and on the bottom.

The screws in the middle is optional up to and included width 300mm.



## 5. TECHNICAL DATA

### ■ 5.1 Climatic characteristics

Storage and operating temperature: - 20° C à + 120° C

### ■ 5.2 Material characteristics

Material finish	Material	Standard	Resistance class against corrosion
PG	DX51D + Z200	EN 10346	Classe 3 - CEI 61537
BLUE	DX51D + Z200	EN 10346	Classe 3 - CEI 61537
HDG	DC 01	EN 10130	Classe 6 - CEI 61537
SS304	X5CrNi18-10	EN 10 088-2	Classe 9A - CEI 61537
SS316L	X2CrNiMo17-12-2	EN 10 088-2	Classe 9B - CEI 61537

## 6. CONFORMITY - CERTIFICATION

Comply with CEI 61537 Cable tray systems

Certification: CE, IMQ