

## P31 - INSIDE RISER 45° H100 + COVER

Reference(s): 4804../62/63/64/65/66/67-480732  
4824../62/63/64/65/66/67-482732  
4844../62/63/64/65/66/67



### 1. USE

Inside riser 45° in H100 with blind bottom.

### 2. RANGE BLIND

#### ■ 2.1 Inside riser 45° H100 blind PG

Description	Code	Width		Weight		Thickness		Coating	Section	
		(mm)	(inch)	(Kg)	(lb)	(mm)	(inch)		(mm²)	(inch²)
P31-INSIDE RISER 45D 100X100 PG	480462	100	3,94	0,58	1,27	0,7	0,03	PG	10193	15,80
P31-INSIDE RISER 45D 100X150 PG	480463	150	5,91	0,71	1,57	0,7	0,03	PG	15258	23,65
P31-INSIDE RISER 45D 100X200 PG	480464	200	7,87	0,85	1,87	0,7	0,03	PG	20323	31,50
P31-INSIDE RISER 45D 100X300 PG	480465	300	11,81	1,13	2,50	0,7	0,03	PG	30453	47,20
P31-INSIDE RISER 45D 100X400 PG	480466	400	15,75	1,39	3,06	0,7	0,03	PG	40583	62,90
P31-INSIDE RISER 45D 100X500 PG	480467	500	19,69	1,64	3,62	0,7	0,03	PG	50713	78,61
P31-INSIDE RISER 45D 100X600 PG	480732	600	23,62	1,90	4,18	0,7	0,03	PG	60843	94,31

#### ■ 2.2 Inside riser 45° H100 blind HDG

Description	Code	Width		Weight		Thickness		Coating	Section	
		(mm)	(inch)	(Kg)	(lb)	(mm)	(inch)		(mm²)	(inch²)
P31-INSIDE RISER 45D 100X100 HDG	482462	100	3,94	0,64	1,40	0,7	0,03	HDG	10193	15,80
P31-INSIDE RISER 45D 100X150 HDG	482463	150	5,91	0,78	1,72	0,7	0,03	HDG	15258	23,65
P31-INSIDE RISER 45D 100X200 HDG	482464	200	7,87	0,93	2,05	0,7	0,03	HDG	20323	31,50
P31-INSIDE RISER 45D 100X300 HDG	482465	300	11,81	1,25	2,75	0,7	0,03	HDG	30453	47,20
P31-INSIDE RISER 45D 100X400 HDG	482466	400	15,75	1,53	3,36	0,7	0,03	HDG	40583	62,90
P31-INSIDE RISER 45D 100X500 HDG	482467	500	19,69	1,81	3,98	0,7	0,03	HDG	50713	78,61
P31-INSIDE RISER 45D 100X600 HDG	482732	600	23,62	2,09	4,60	0,7	0,03	HDG	60843	94,31

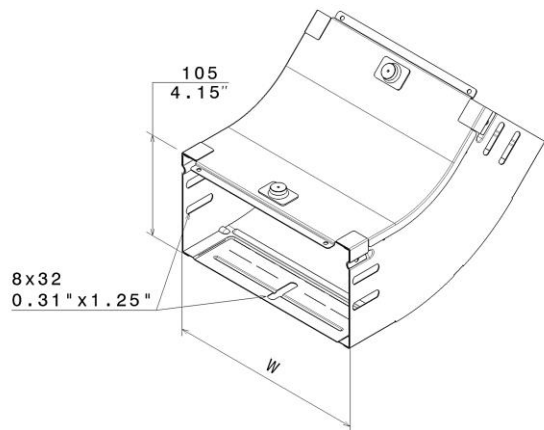
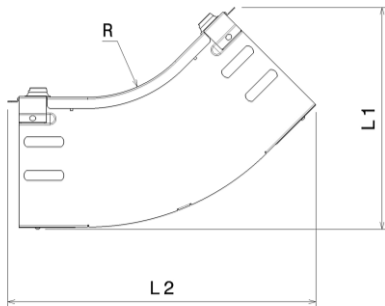
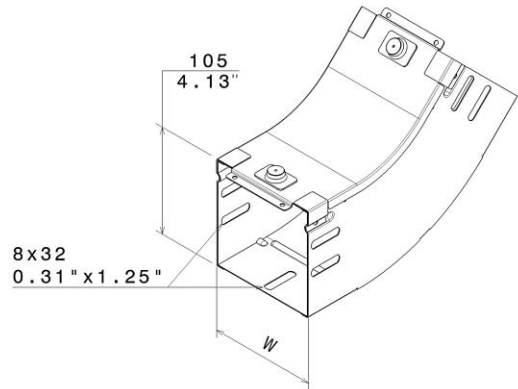
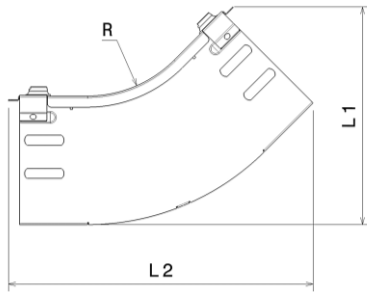
#### ■ 2.3 Inside riser 45° H100 blind BLUE

Description	Code	Width		Weight		Thickness		Coating	Section	
		(mm)	(inch)	(Kg)	(lb)	(mm)	(inch)		(mm²)	(inch²)
P31-INSIDE RISER 45D 100X100 BLUE	484462	100	3,94	0,58	1,27	0,7	0,03	BLUE	10193	15,80
P31-INSIDE RISER 45D 100X150 BLUE	484463	150	5,91	0,71	1,57	0,7	0,03	BLUE	15258	23,65
P31-INSIDE RISER 45D 100X200 BLUE	484464	200	7,87	0,85	1,87	0,7	0,03	BLUE	20323	31,50
P31-INSIDE RISER 45D 100X300 BLUE	484465	300	11,81	1,13	2,50	0,7	0,03	BLUE	30453	47,20
P31-INSIDE RISER 45D 100X400 BLUE	484466	400	15,75	1,39	3,06	0,7	0,03	BLUE	40583	62,90
P31-INSIDE RISER 45D 100X500 BLUE	484467	500	19,69	1,64	3,62	0,7	0,03	BLUE	50713	78,61

**3. DIMENSIONS (mm/inch)**

**■ 3.1 Fitting dimensions**

Description	Width		Radius		L1		L2	
	(mm)	(inch)	(mm)	(inch)	(mm)	(inch)	(mm)	(inch)
P31-INSIDE RISER 45D 100X100	104	4,09	100	3,94	176	6,93	247	9,72
P31-INSIDE RISER 45D 100X150	154	6,06	100	3,94	176	6,93	247	9,72
P31-INSIDE RISER 45D 100X200	204	8,03	100	3,94	178	7,01	247	9,72
P31-INSIDE RISER 45D 100X300	304	11,97	100	3,94	178	7,01	247	9,72
P31-INSIDE RISER 45D 100X400	404	15,91	100	3,94	178	7,01	247	9,72
P31-INSIDE RISER 45D 100X500	504	19,84	100	3,94	178	7,01	247	9,72
P31-INSIDE RISER 45D 100X600	604	23,78	100	3,94	178	7,01	247	9,72



## 4. INSTALLATION

### 4.1 Screw and tools

Use screws M6x12 tightened at 11Nm

Reference(s): 341895 / 03V1M610Z (PG)

485035 (Zn-Ni)

346895/ 03V1M610L (SS316L)

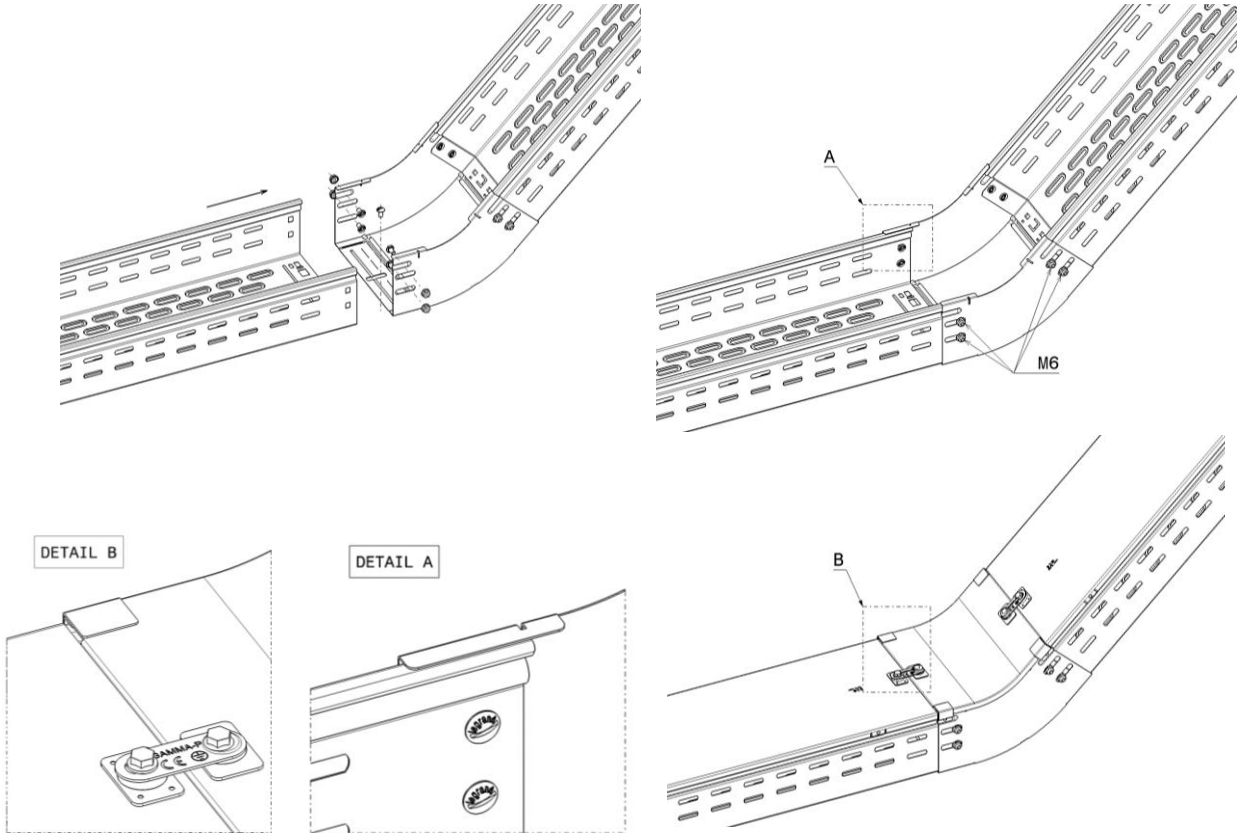
341708 / 31X99X999 (PG)

346474 / 31X99X99X (SS316L)

### 4.2 Fitting to cable tray

Inside riser height 100 are assembled using 10 screws M6x12 on the side and on the bottom.

The screws in the middle is optional up to and included width 300mm.



## 5. TECHNICAL DATA

### 5.1 Climatic characteristics

Storage and operating temperature: - 20° C à + 120° C

### 5.2 Material characteristics

Material finish	Material	Standard	Resistance class against corrosion
PG	DX51D + Z200	EN 10346	Classe 3 - CEI 61537
BLUE	DX51D + Z200	EN 10346	Classe 3 - CEI 61537
HDG	DC 01	EN 10130	Classe 6 - CEI 61537
SS304	X5CrNi18-10	EN 10 088-2	Classe 9A - CEI 61537
SS316L	X2CrNiMo17-12-2	EN 10 088-2	Classe 9B - CEI 61537

## 6. CONFORMITY - CERTIFICATION

Comply with CEI 61537 Cable tray systems.

Certification: CE, IMQ