

P31 - INSIDE RISER 45° H75 + COVER

Reference(s): AN../075Z/100Z/150Z/200Z/300Z/400Z/500Z/600Z
AN../075C/100C/150C/200C/300C/400C/500C/600C
AN../075L/100L/150L/200L/300L/400L/500L/600L
AN../075G/100G/150G/200G/300G/400G/500G/600G



1. USE

Inside riser 45° in H75 with blind bottom.

2. RANGE BLIND

■ 2.1 INSIDE RISER 45° H75 blind PG

Description	Code	Width		Weight		Thickness		Coating	Section	
		(mm)	(inch)	(Kg)	(lb)	(mm)	(inch)		(mm²)	(inch²)
P31-INSIDE RISER 45D 75X 75 PG	AN075Z	77	3,03	0,46	1,02	0,7	0,03	PG	6069	238,94
P31-INSIDE RISER 45D 75X100 PG	AN100Z	100	3,94	0,52	1,15	0,7	0,03	PG	7870	309,84
P31-INSIDE RISER 45D 75X150 PG	AN150Z	150	5,91	0,65	1,43	0,7	0,03	PG	11785	463,98
P31-INSIDE RISER 45D 75X200 PG	AN200Z	200	7,87	0,78	1,72	0,7	0,03	PG	15700	618,11
P31-INSIDE RISER 45D 75X300 PG	AN300Z	300	11,81	1,04	2,29	0,7	0,03	PG	23530	926,38
P31-INSIDE RISER 45D 75X400 PG	AN400Z	400	15,75	1,28	2,83	0,7	0,03	PG	31360	1234,65
P31-INSIDE RISER 45D 75X500 PG	AN500Z	500	19,69	1,53	3,37	0,7	0,03	PG	39190	1542,91
P31-INSIDE RISER 45D 75X600 PG	AN600Z	600	23,62	1,77	3,91	0,7	0,03	PG	47020	1851,18

■ 2.2 INSIDE RISER 45° H75 blind HDG

Description	Code	Width		Weight		Thickness		Coating	Section	
		(mm)	(inch)	(Kg)	(lb)	(mm)	(inch)		(mm²)	(inch²)
P31-INSIDE RISER 45D 75X 75 HDG	AN075C	77	3,03	0,50	1,10	0,7	0,03	HDG	6069	238,94
P31-INSIDE RISER 45D 75X100 HDG	AN100C	100	3,94	0,56	1,24	0,7	0,03	HDG	7870	309,84
P31-INSIDE RISER 45D 75X150 HDG	AN150C	150	5,91	0,70	1,55	0,7	0,03	HDG	11785	463,98
P31-INSIDE RISER 45D 75X200 HDG	AN200C	200	7,87	0,84	1,86	0,7	0,03	HDG	15700	618,11
P31-INSIDE RISER 45D 75X300 HDG	AN300C	300	11,81	1,13	2,49	0,7	0,03	HDG	23530	926,38
P31-INSIDE RISER 45D 75X400 HDG	AN400C	400	15,75	1,40	3,08	0,7	0,03	HDG	31360	1234,65
P31-INSIDE RISER 45D 75X500 HDG	AN500C	500	19,69	1,67	3,67	0,7	0,03	HDG	39190	1542,91
P31-INSIDE RISER 45D 75X600 HDG	AN600C	600	23,62	1,94	4,27	0,7	0,03	HDG	47020	1851,18

■ 2.3 INSIDE RISER 45° H75 blind SS316L

Description	Code	Width		Weight		Thickness		Coating	Section	
		(mm)	(inch)	(Kg)	(lb)	(mm)	(inch)		(mm²)	(inch²)
P31-INSIDE RISER 45D 75X 75 SS316L	AN075L	77	3,03	0,46	1,02	0,7	0,03	SS316L	6069	238,94
P31-INSIDE RISER 45D 75X100 SS316L	AN100L	100	3,94	0,52	1,15	0,7	0,03	SS316L	7870	309,84
P31-INSIDE RISER 45D 75X150 SS316L	AN150L	150	5,91	0,65	1,43	0,7	0,03	SS316L	11785	463,98
P31-INSIDE RISER 45D 75X200 SS316L	AN200L	200	7,87	0,78	1,72	0,7	0,03	SS316L	15700	618,11
P31-INSIDE RISER 45D 75X300 SS316L	AN300L	300	11,81	1,04	2,29	0,7	0,03	SS316L	23530	926,38
P31-INSIDE RISER 45D 75X400 SS316L	AN400L	400	15,75	1,28	2,83	0,7	0,03	SS316L	31360	1234,65
P31-INSIDE RISER 45D 75X500 SS316L	AN500L	500	19,69	1,53	3,37	0,7	0,03	SS316L	39190	1542,91
P31-INSIDE RISER 45D 75X600 SS316L	AN600L	600	23,62	1,77	3,91	0,7	0,03	SS316L	47020	1851,18

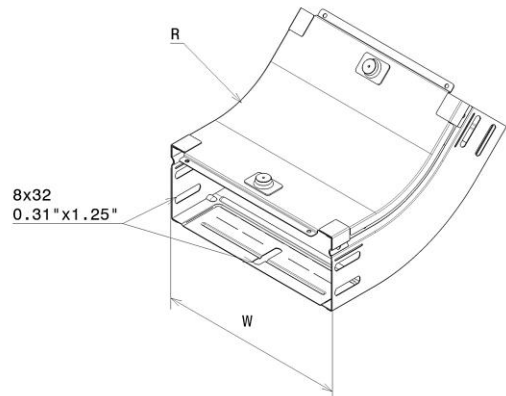
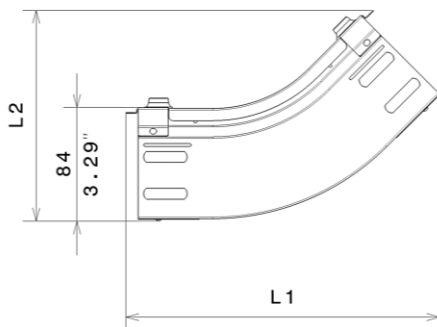
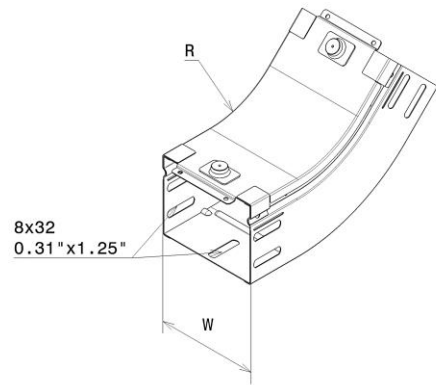
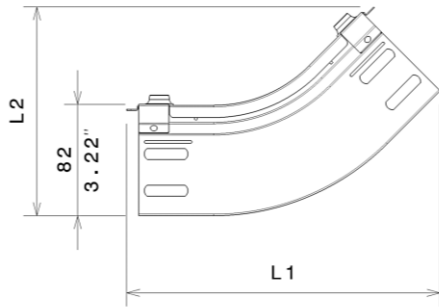
2.4 INSIDE RISER 45° H75 blind BLUE

Description	Code	Width		Weight		Thickness		Coating	Section	
		(mm)	(inch)	(Kg)	(lb)	(mm)	(inch)		(mm²)	(inch²)
P31-INSIDE RISER 45D 75X 75 BLUE	AN075G	77	3,03	0,46	1,02	0,7	0,03	BLUE	6069	238,94
P31-INSIDE RISER 45D 75X100 BLUE	AN100G	100	3,94	0,52	1,15	0,7	0,03	BLUE	7870	309,84
P31-INSIDE RISER 45D 75X150 BLUE	AN150G	150	5,91	0,65	1,43	0,7	0,03	BLUE	11785	463,98
P31-INSIDE RISER 45D 75X200 BLUE	AN200G	200	7,87	0,78	1,72	0,7	0,03	BLUE	15700	618,11
P31-INSIDE RISER 45D 75X300 BLUE	AN300G	300	11,81	1,04	2,29	0,7	0,03	BLUE	23530	926,38
P31-INSIDE RISER 45D 75X400 BLUE	AN400G	400	15,75	1,28	2,83	0,7	0,03	BLUE	31360	1234,65
P31-INSIDE RISER 45D 75X500 BLUE	AN500G	500	19,69	1,53	3,37	0,7	0,03	BLUE	39190	1542,91
P31-INSIDE RISER 45D 75X600 BLUE	AN600G	600	23,62	1,77	3,91	0,7	0,03	BLUE	47020	1851,18

3. DIMENSIONS (mm/inch)

■ 3.1 Fitting dimensions

Description	Width		Radius		L1		L2	
	(mm)	(inch)	(mm)	(inch)	(mm)	(inch)	(mm)	(inch)
P31-INSIDE RISER 45D 75X75	81	3,19	100	3,94	230	9,06	153	6,02
P31-INSIDE RISER 45D 75X100	104	4,09	100	3,94	230	9,06	153	6,02
P31-INSIDE RISER 45D 75X150	154	6,06	100	3,94	230	9,06	153	6,02
P31-INSIDE RISER 45D 75X200	204	8,03	100	3,94	231	9,09	155	6,10
P31-INSIDE RISER 45D 75X300	304	11,97	100	3,94	231	9,09	155	6,10
P31-INSIDE RISER 45D 75X400	404	15,91	100	3,94	231	9,09	155	6,10
P31-INSIDE RISER 45D 75X500	504	19,84	100	3,94	231	9,09	155	6,10
P31-INSIDE RISER 45D 75X600	604	23,78	100	3,94	231	9,09	155	6,10



4. INSTALLATION

4.1 Screw and tools

Use screws M6x12 tightened at 11Nm

Reference(s): 341895 / 03V1M610Z (PG)

485035 (Zn-Ni)

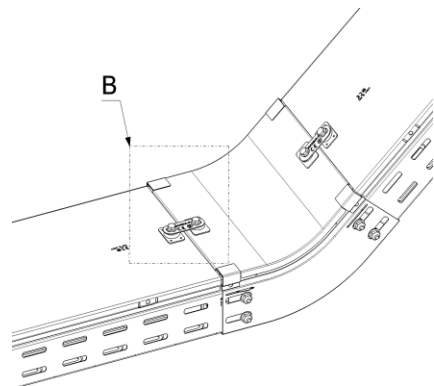
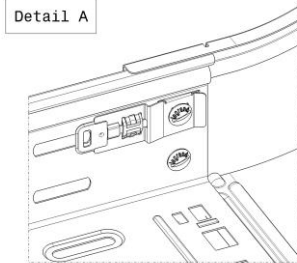
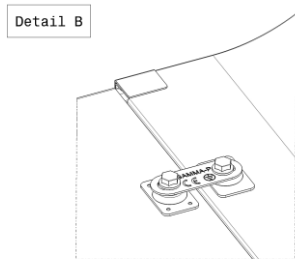
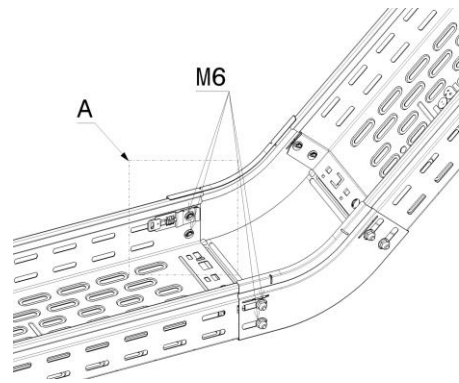
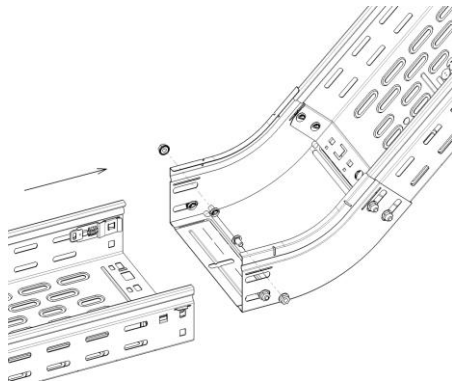
346895/ 03V1M610L (SS316L)

341708 / 31X99X999 (PG)

346474 / 31X99X99X (SS316L)

4.2 Fitting to cable tray

Equal Tee height 75 are assembled using 10 screws M6x12 on the side and on the bottom.
 The screws in the middle is optional up to and included width 300mm.



5. TECHNICAL DATA

5.1 Climatic characteristics

Storage and operating temperature: - 20° C à + 120° C

5.2 Material characteristics

Material finish	Material	Standard	Resistance class against corrosion
PG	DX51D + Z200	EN 10346	Classe 3 - CEI 61537
BLUE	DX51D + Z200	EN 10346	Classe 3 - CEI 61537
HDG	DC 01	EN 10130	Classe 6 - CEI 61537
SS304	X5CrNi18-10	EN 10 088-2	Classe 9A - CEI 61537
SS316L	X2CrNiMo17-12-2	EN 10 088-2	Classe 9B - CEI 61537

6. CONFORMITY - CERTIFICATION

Comply with CEI 61537 Cable tray systems

Certification: CE, IMQ